

# U21 Men -60kg

## Competitors/Compétiteurs A

#	Name/Nom	Club	1	2	3	4	W/G	Pts	Pos
1	ELLIS Brook	Jackpine Judo Club					0	0	4
2	TAK Gurnek	Tora Judo Club	10				1	10	3
3	YOUSSEF yassin	JCCC Judo Kai	10	10		10	3	30	1
4	SARCEVIC Ozren	Full Circle Judo Clu	10	10			2	20	2

## Matches/Matches A

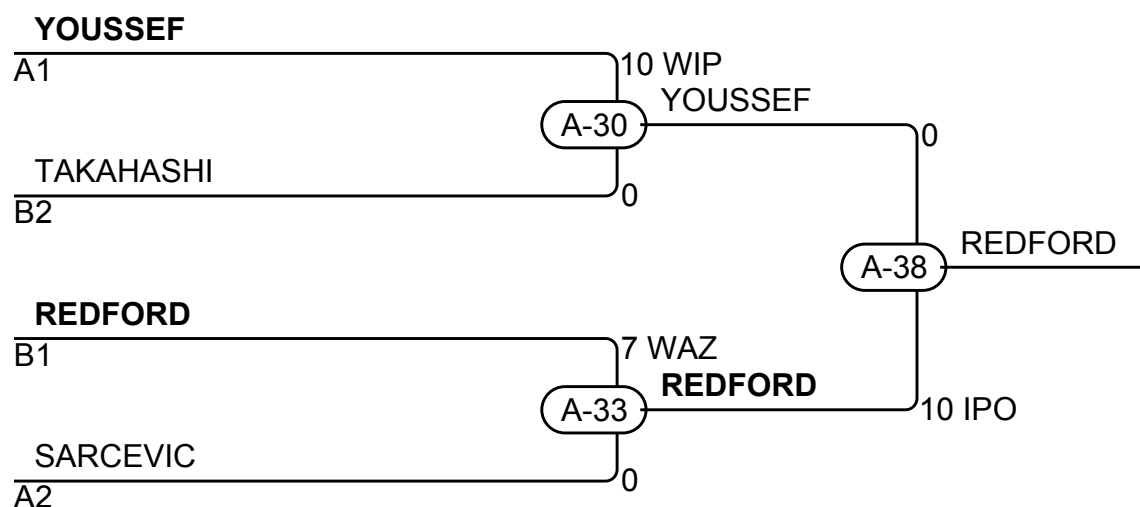
Match	White/Blanc			Blue/Bleu	Res/Rés	Tim/Tmp	Code
A-1	ELLIS Brook	1	2	TAK Gurnek	0 - 10	2:57	IPO
A-3	YOUSSEF yassin	3	4	SARCEVIC Ozren	10 - 0	0:48	IPO
A-10	ELLIS Brook	1	3	YOUSSEF yassin	0 - 10	0:39	IPO
A-14	TAK Gurnek	2	4	SARCEVIC Ozren	0 - 10	0:33	IPO
A-20	ELLIS Brook	1	4	SARCEVIC Ozren	0 - 10	2:29	IPO
A-24	TAK Gurnek	2	3	YOUSSEF yassin	0 - 10	1:54	WIP

## Competitors/Compétiteurs B

#	Name/Nom	Club	5	6	7	W/G	Pts	Pos
5	LONG Sean	Sheffield Judo Club				0	0	3
6	REDFORD Brandon	Ajax Budokan	10		5	2	15	1
7	TAKAHASHI Torin	Takahashi Dojo	5			1	5	2

## Matches/Matches B

Match	White/Blanc			Blue/Bleu	Res/Rés	Tim/Tmp	Code
A-6	LONG Sean	5	6	REDFORD Brandon	0 - 10	1:03	IPO
A-16	LONG Sean	5	7	TAKAHASHI Torin	0 - 5	4:00	YUK
A-28	REDFORD Brandon	6	7	TAKAHASHI Torin	5 - 0	4:00	YUK



## Results/Résultats

Pos	Name/Nom
1	REDFORD Brandon, Ajax Budokan
2	YOUSSEF yassin, JCCC Judo Kai
3	TAKAHASHI Torin, Takahashi Dojo
3	SARCEVIC Ozren, Full Circle Judo Clu