

U14 Men -50kg

Competitors/Compétiteurs

#	Name/Nom	Grade	Club	1	2	3	4	5	W/G	Pts	Pos
1	MELKONIAN David	green/blue	Taifu Judo Club	XX	5	5	10		3	20	2
2	KIEU Colin	green/blue	Ottawa Judo Club		XX		10		1	10	4
3	IVANOV Maxim	brown	Tsunami Martial Arts Club		5	XX	5		2	10	3
4	GUY Porter	green	Trent Judo Club				XX		0	0	5
5	CHIROKOV Alexander (Sasha)	green	Toronto Judo Kai	10	10	10	10	XX	4	40	1

Matches/Matches

Match	White/Blanc			Blue/Bleu	Res/Rés	Tim/Tmp	Code
D-8	GUY Porter	4	5	CHIROKOV Alexander (Sasha)	0 - 10	0:49	IPO
D-9	MELKONIAN David	1	2	KIEU Colin	5 - 0	3:24	GSW
D-14	IVANOV Maxim	3	4	GUY Porter	5 - 0	3:00	WAZ
D-15	MELKONIAN David	1	5	CHIROKOV Alexander (Sasha)	0 - 10	2:40	IPO
D-22	KIEU Colin	2	3	IVANOV Maxim	0 - 5	3:23	GSW
D-23	MELKONIAN David	1	4	GUY Porter	10 - 0	1:15	IPO
D-36	IVANOV Maxim	3	5	CHIROKOV Alexander (Sasha)	0 - 10	0:00	IPO
D-37	KIEU Colin	2	4	GUY Porter	10 - 0	1:31	IPO
D-49	MELKONIAN David	1	3	IVANOV Maxim	5 - 0	3:00	WAZ
D-50	KIEU Colin	2	5	CHIROKOV Alexander (Sasha)	0 - 10	0:50	IPO

Results/Résultats

Pos	Name/Nom
1	CHIROKOV Alexander (Sasha), Toronto Judo Kai
2	MELKONIAN David, Taifu Judo Club
3	IVANOV Maxim, Tsunami Martial Arts Club
4	KIEU Colin, Ottawa Judo Club

U14 Men -55kg

Competitors/Compétiteurs

#	Name/Nom	Grade	Club	1	2	3	W/G	Pts	Pos
1	KAMALOV Lenar	blue	Tsunami Martial Arts Club	XX	10	10	2	20	1
2	MINEQUE Quezon	green	Trent Judo Club		XX	10	1	10	2
3	GALLANT Riely	green/blue	Team PEI			XX	0	0	3

Matches/Matches

Match	White/Blanc			Blue/Bleu	Res/Rés	Tim/Tmp	Code
D-16	KAMALOV Lenar	1	2	MINEQUE Quezon	10 - 0	1:31	IPO
D-30	KAMALOV Lenar	1	3	GALLANT Riely	10 - 0	1:00	IPO
D-43	MINEQUE Quezon	2	3	GALLANT Riely	10 - 0	0:39	IPO

Results/Résultats

Pos	Name/Nom
1	KAMALOV Lenar, Tsunami Martial Arts Club
2	MINEQUE Quezon, Trent Judo Club

U14 Men -60kg

Competitors/Compétiteurs

#	Name/Nom	Grade	Club	1	2	3	4	5	W/G	Pts	Pos
1	SHTCHENIOFF Maximilian	orange	York Judo & BJJ	XX	10		10	5	3	25	2
2	ALVES Luis Henrique	green	Club de Judo Maua-Bresil		XX				0	0	5
3	KARPUKOV Arthur	green	SHIDOKAN	10	10	XX	10	10	4	40	1
4	SERGIENKO Boris	orange	Shin Bu Kan (Mississauga Judo	10			XX		1	10	4
5	SERRANO Matthew	green	Ajax Budokan		5		10	XX	2	15	3

Matches/Matches

Match	White/Blanc			Blue/Bleu	Res/Rés	Tim/Tmp	Code
B-15	SERGIENKO Boris	4	5	SERRANO Matthew	0 - 10	1:29	IPO
B-16	SHTCHENIOFF Maximilian	1	2	ALVES Luis Henrique	10 - 0	0:46	IPO
B-23	KARPUKOV Arthur	3	4	SERGIENKO Boris	10 - 0	0:40	IPO
B-24	SHTCHENIOFF Maximilian	1	5	SERRANO Matthew	5 - 0	3:00	WAZ
B-32	ALVES Luis Henrique	2	3	KARPUKOV Arthur	0 - 10	0:15	IPO
B-33	SHTCHENIOFF Maximilian	1	4	SERGIENKO Boris	10 - 0	1:34	IPO
B-43	KARPUKOV Arthur	3	5	SERRANO Matthew	10 - 0	1:29	IPO
B-44	ALVES Luis Henrique	2	4	SERGIENKO Boris	0 - 10	3:00	HAN
B-52	SHTCHENIOFF Maximilian	1	3	KARPUKOV Arthur	0 - 10	1:36	IPO
B-53	ALVES Luis Henrique	2	5	SERRANO Matthew	0 - 5	3:00	WAZ

Results/Résultats

Pos	Name/Nom
1	KARPUKOV Arthur, SHIDOKAN
2	SHTCHENIOFF Maximilian, York Judo & BJJ
3	SERRANO Matthew, Ajax Budokan
4	SERGIENKO Boris, Shin Bu Kan (Mississauga Judo

U14 Women -40kg

Competitors/Compétiteurs

#	Name/Nom	Grade	Club	1	2	3	4	W/G	Pts	Pos
1	STRAKLEVSKI Cleea	green	Ajax Budokan	XX	10	5	5	3	20	1
2	MINEQUE Zen	green	Trent Judo Club		XX		5	1	5	3
3	CONDRA Jenna	orange	Team PEI		10	XX	10	2	20	2
4	MCCRISTALL Angelina	green	Upper Canada				XX	0	0	4

Matches/Matches

Match	White/Blanc			Blue/Bleu	Res/Rés	Tim/Tmp	Code
C-24	STRAKLEVSKI Cleea	1	2	MINEQUE Zen	10 - 0	0:31	IPO
C-25	CONDRA Jenna	3	4	MCCRISTALL Angelina	10 - 0	0:35	IPO
C-36	STRAKLEVSKI Cleea	1	3	CONDRA Jenna	5 - 0	5:00	GSW
C-37	MINEQUE Zen	2	4	MCCRISTALL Angelina	5 - 0	3:00	WAZ
C-48	STRAKLEVSKI Cleea	1	4	MCCRISTALL Angelina	5 - 0	3:00	WAZ
C-49	MINEQUE Zen	2	3	CONDRA Jenna	0 - 10	1:02	IPO

Results/Résultats

Pos	Name/Nom
1	STRAKLEVSKI Cleea, Ajax Budokan
2	CONDRA Jenna, Team PEI
3	MINEQUE Zen, Trent Judo Club

U14 Women -44kg

Competitors/Compétiteurs

#	Name/Nom	Grade	Club	1	2	3	W/G	Pts	Pos
1	SAVOIE Mahée	green/blue	Judo Otoshi Dieppe	XX	10		1	10	2
2	WALFIELD Paige	orange	Team PEI		XX		0	0	3
3	KHAN Khadija	green	Sheffield Judo Club	10	10	XX	2	20	1

Matches/Matches

Match	White/Blanc			Blue/Bleu	Res/Rés	Tim/Tmp	Code
C-28	SAVOIE Mahée	1	2	WALFIELD Paige	10 - 0	0:14	IPO
C-40	SAVOIE Mahée	1	3	KHAN Khadija	0 - 10	1:29	HAN
C-52	WALFIELD Paige	2	3	KHAN Khadija	0 - 10	1:34	IPO

Results/Résultats

Pos	Name/Nom
1	KHAN Khadija, Sheffield Judo Club
2	SAVOIE Mahée, Judo Otoshi Dieppe

U14 Women -48kg

Competitors/Compétiteurs

#	Name/Nom	Grade	Club	1	2	3	4	W/G	Pts	Pos
1	SZECOWKA Olivia	green	Shin Bu Kan (Mississauga Judo)	XX				0	0	4
2	LOPEZ MICHELLE	green	Shin Bu Kan (Mississauga Judo)		XX	10	10	3	25	1
3	CHEVALIER Margot	green	Hayabusakan Judo	10		XX	10	2	20	2
4	BAN Madeleine	orange	York Judo & BJJ	10			XX	1	10	3

Matches/Matches

Match	White/Blanc			Blue/Bleu	Res/Rés	Tim/Tmp	Code
A-28	SZECOWKA Olivia	1	2	LOPEZ MICHELLE	0 - 5	3:00	WAZ
A-29	CHEVALIER Margot	3	4	BAN Madeleine	10 - 0	1:57	IPO
A-38	SZECOWKA Olivia	1	3	CHEVALIER Margot	0 - 10	1:33	IPO
A-39	LOPEZ MICHELLE	2	4	BAN Madeleine	10 - 0	0:45	IPO
A-50	SZECOWKA Olivia	1	4	BAN Madeleine	0 - 10	1:24	HAN
A-51	LOPEZ MICHELLE	2	3	CHEVALIER Margot	10 - 0	0:34	IPO

Results/Résultats

Pos	Name/Nom
1	LOPEZ MICHELLE, Shin Bu Kan (Mississauga Judo)
2	CHEVALIER Margot, Hayabusakan Judo
3	BAN Madeleine, York Judo & BJJ

U14 Men -34kg

Competitors/Compétiteurs

#	Name/Nom	Grade	Club	1	2	3	4	5	W/G	Pts	Pos
1	GENKIN Peter	green	Toronto Judo Kai	XX					0	0	5
2	ACHICO TRENTON	green	Tora Judo Club	10	XX				1	10	4
3	ABDULLAYEV Rza	green	Olympic Judo Centre	10	5	XX		10	3	25	2
4	TSATSALASHVILI Luka	green	Taifu Judo Club	10	10	10	XX	10	4	40	1
5	MULOKANDOV Michael	green	Taifu Judo Club	10	10			XX	2	20	3

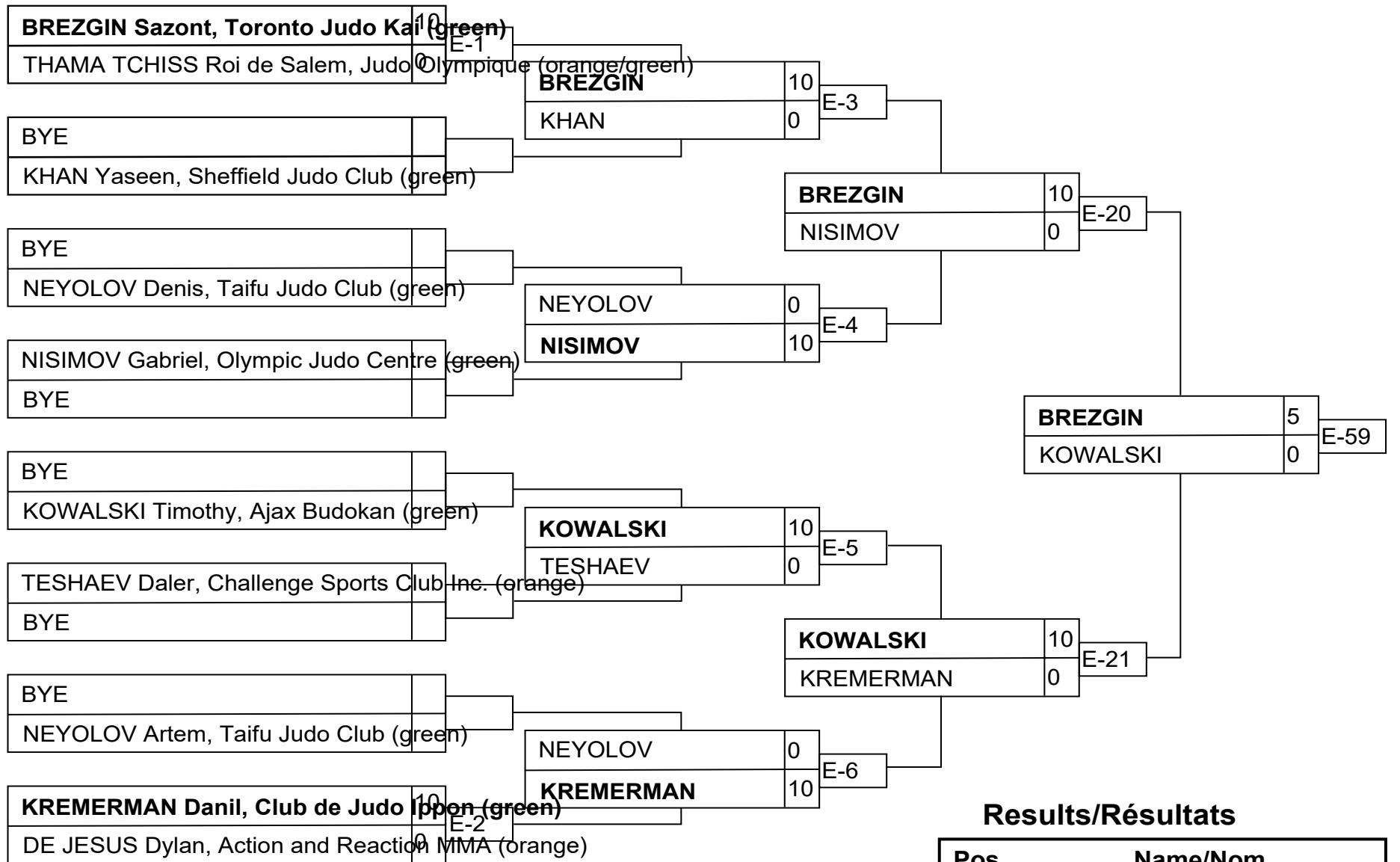
Matches/Matches

Match	White/Blanc			Blue/Bleu	Res/Rés	Tim/Tmp	Code
B-9	TSATSALASHVILI Luka	4	5	MULOKANDOV Michael	10 - 0	1:29	IPO
B-10	GENKIN Peter	1	2	ACHICO TRENTON	0 - 10	1:02	IPO
B-17	ABDULLAYEV Rza	3	4	TSATSALASHVILI Luka	0 - 10	5:20	HAN
B-18	GENKIN Peter	1	5	MULOKANDOV Michael	0 - 10	0:47	IPO
B-25	ACHICO TRENTON	2	3	ABDULLAYEV Rza	0 - 5	3:00	WAZ
B-26	GENKIN Peter	1	4	TSATSALASHVILI Luka	0 - 10	0:16	IPO
B-34	ABDULLAYEV Rza	3	5	MULOKANDOV Michael	10 - 0	2:51	IPO
B-35	ACHICO TRENTON	2	4	TSATSALASHVILI Luka	0 - 10	1:01	IPO
B-45	GENKIN Peter	1	3	ABDULLAYEV Rza	0 - 10	2:02	IPO
B-46	ACHICO TRENTON	2	5	MULOKANDOV Michael	0 - 10	1:50	IPO

Results/Résultats

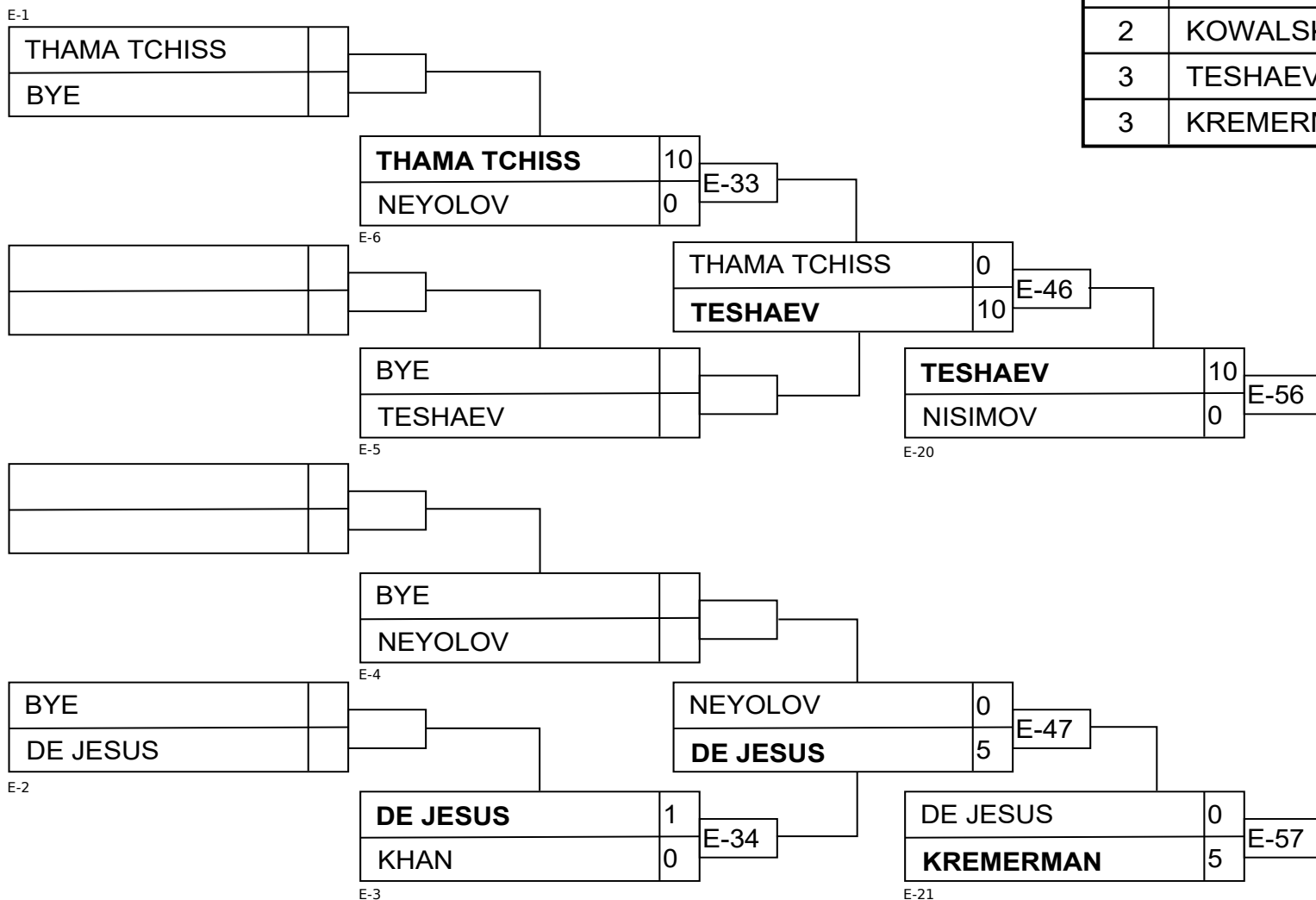
Pos	Name/Nom
1	TSATSALASHVILI Luka, Taifu Judo Club
2	ABDULLAYEV Rza, Olympic Judo Centre
3	MULOKANDOV Michael, Taifu Judo Club
4	ACHICO TRENTON, Tora Judo Club

U14 Men -38kg



Results/Résultats

Pos	Name/Nom
1	BREZGIN Sazont, Toronto Judo Kai (green)
2	KOWALSKI Timothy, Ajax Budokan (green)
3	TESHAEV Daler, Challenge Sports Club Inc. (orange)
3	KREMERMEN Danil, Club de Judo Ippon (green)



U14 Men -42kg

Competitors/Compétiteurs A

#	Name/Nom	Grade	Club	1	2	3	4	W/G	Pts	Pos
1	D 'OLIVAT Reubin	orange	Sho Jin Judo Club	XX				0	0	4
2	MACDONALD Lucas	orange	Team PEI	10	XX			1	10	3
3	KOTENKO David	green	Olympic Judo Centre	10	10	XX		2	20	2
4	ANTSIPOVITCH Maksim	green/blue	Budokai Judo Club	10	5	5	XX	3	20	1

Matches/Matches A

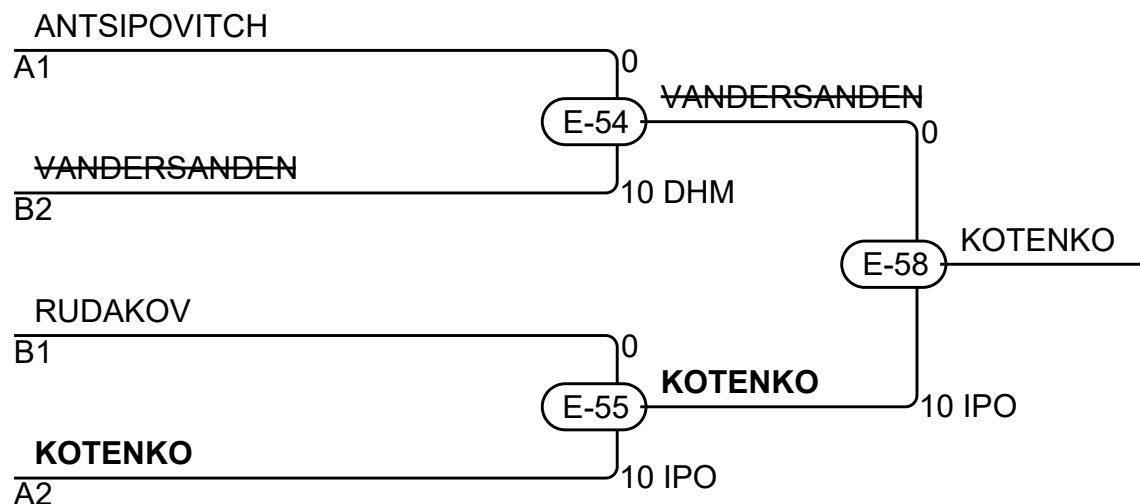
Match	White/Blanc	Blue/Bleu	Res/Rés	Tim/Tmp	Code
E-17	D 'OLIVAT Reubin 1 2	MACDONALD Lucas	0 - 10	0:15	IPO
E-18	KOTENKO David 3 4	ANTSIPOVITCH Maksim	0 - 5	3:00	WAZ
E-30	D 'OLIVAT Reubin 1 3	KOTENKO David	0 - 10	2:58	IPO
E-31	MACDONALD Lucas 2 4	ANTSIPOVITCH Maksim	0 - 5	0:00	WAZ
E-43	D 'OLIVAT Reubin 1 4	ANTSIPOVITCH Maksim	0 - 10	0:45	IPO
E-44	MACDONALD Lucas 2 3	KOTENKO David	0 - 10	0:21	IPO

Competitors/Compétiteurs B

#	Name/Nom	Grade	Club	5	6	7	W/G	Pts	Pos
5	SEVASTIDIS Georgios	green	Olympic Judo Centre	XX	10		1	10	2
6	VANDERSANDEN Jared	green	Upper Canada		XX		0	0	3
7	RUDAKOV Maksim	green/blue	Taifu Judo Club	10	10	XX	2	20	1

Matches/Matches B

Match	White/Blanc	Blue/Bleu	Res/Rés	Tim/Tmp	Code
E-19	SEVASTIDIS Georgios 5 6	VANDERSANDEN Jared	10 - 0	0:00	IPO
E-32	SEVASTIDIS Georgios 5 7	RUDAKOV Maksim	0 - 10	0:18	IPO
E-45	VANDERSANDEN Jared 6 7	RUDAKOV Maksim	0 - 10	1:23	IPO



Results/Résultats

Pos	Name/Nom
1	KOTENKO David, Olympic Judo Centre
2	VANDERSANDEN Jared, Upper Canada
3	ANTSIPOVITCH Maksim, Budokai Judo Club
3	RUDAKOV Maksim, Taifu Judo Club

U14 Men -46kg

Competitors/Compétiteurs

#	Name/Nom	Grade	Club	1	2	3	W/G	Pts	Pos
1	POULIN Gabriel	blue	Judo-Sphere	XX			0	0	3
2	DOYON Louis	orange/green	Donini-Univestrie	10	XX		1	10	2
3	LAU Connor	green	York Judo & BJJ	10	10	XX	2	20	1

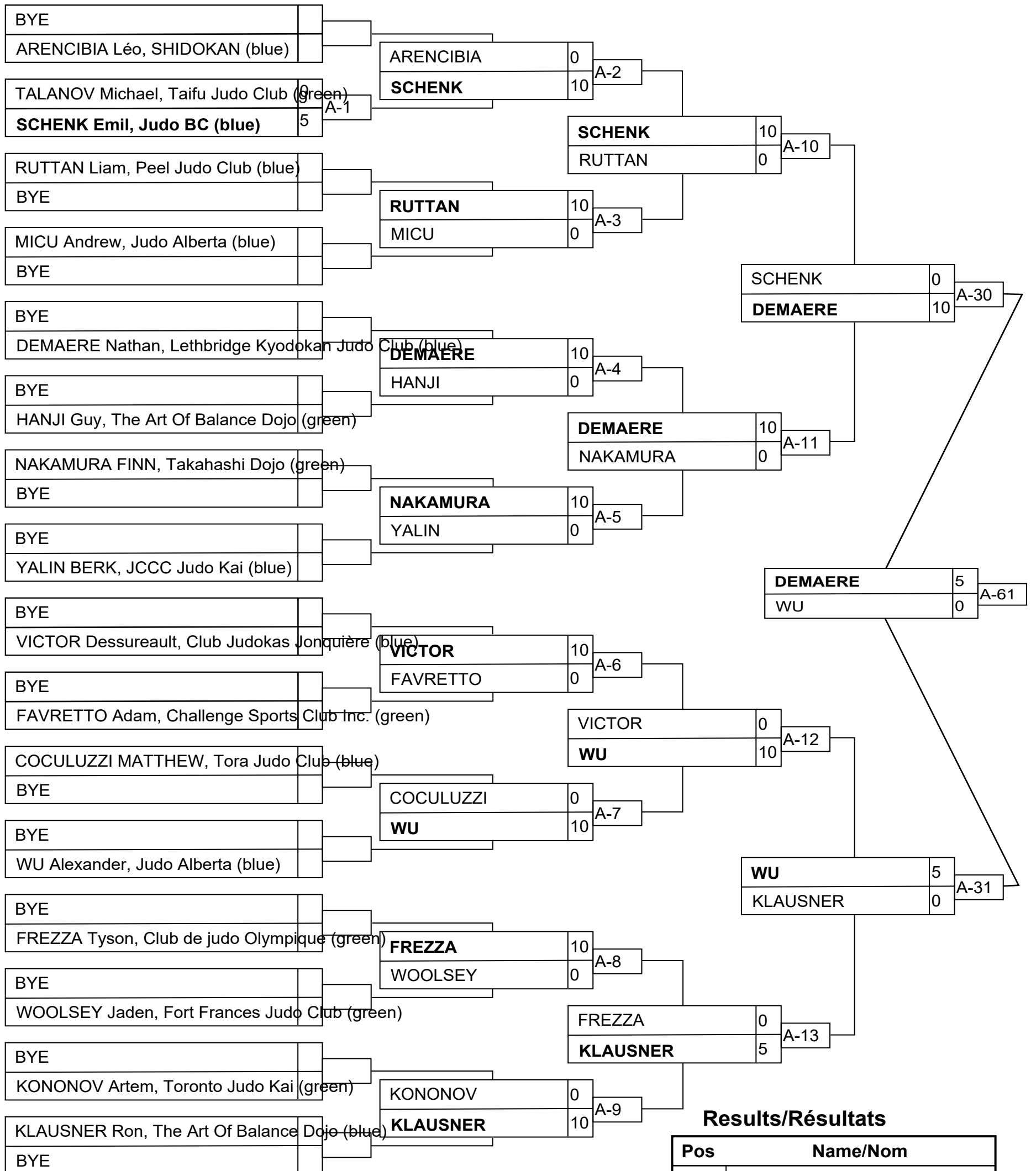
Matches/Matches

Match	White/Blanc			Blue/Bleu	Res/Rés	Tim/Tmp	Code
D-24	POULIN Gabriel	1	2	DOYON Louis	0 - 10	0:11	IPO
D-38	POULIN Gabriel	1	3	LAU Connor	0 - 10	0:37	IPO
D-51	DOYON Louis	2	3	LAU Connor	0 - 10	1:27	IPO

Results/Résultats

Pos	Name/Nom
1	LAU Connor, York Judo & BJJ
2	DOYON Louis, Donini-Univestrie

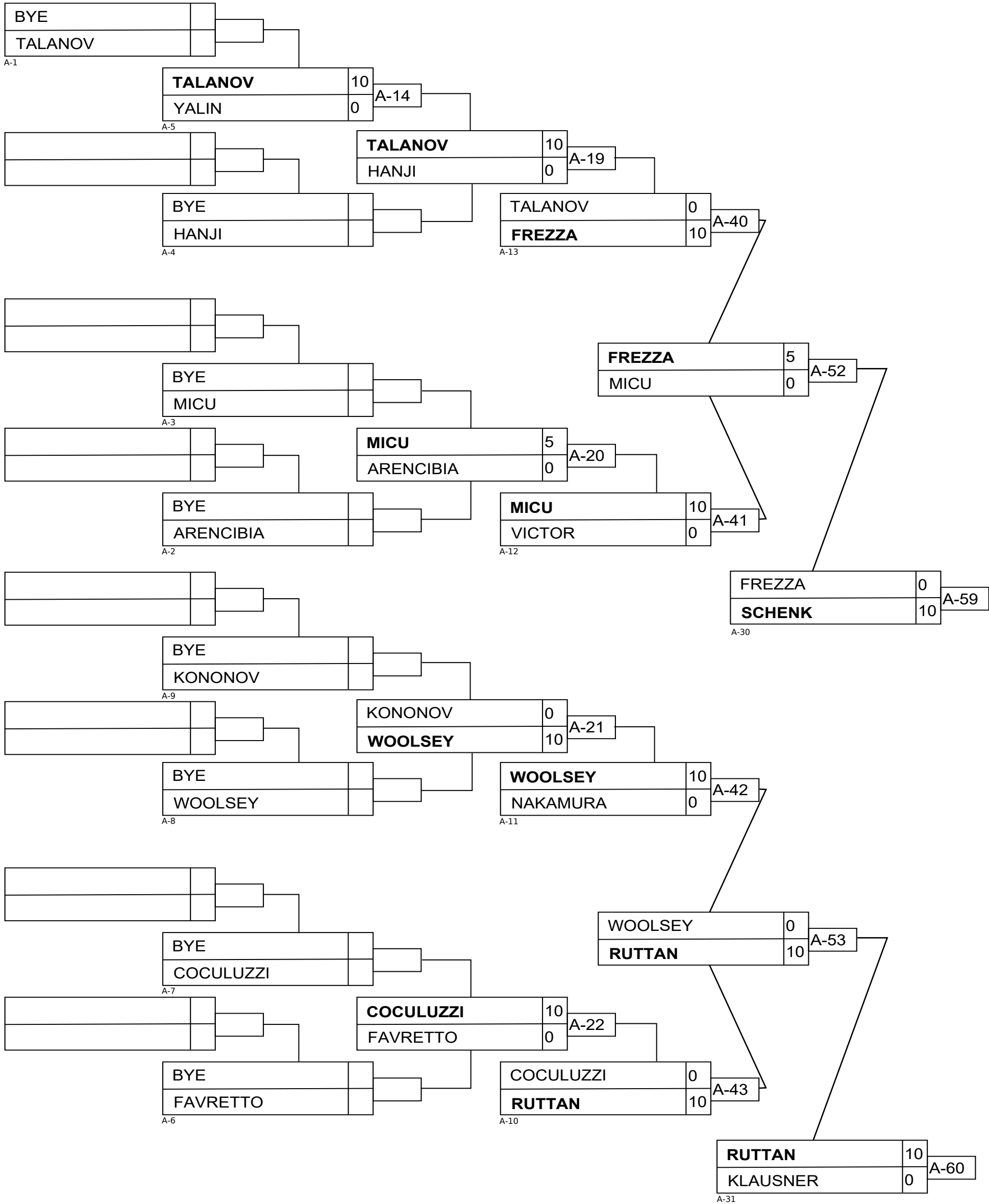
U16 Men -60kg



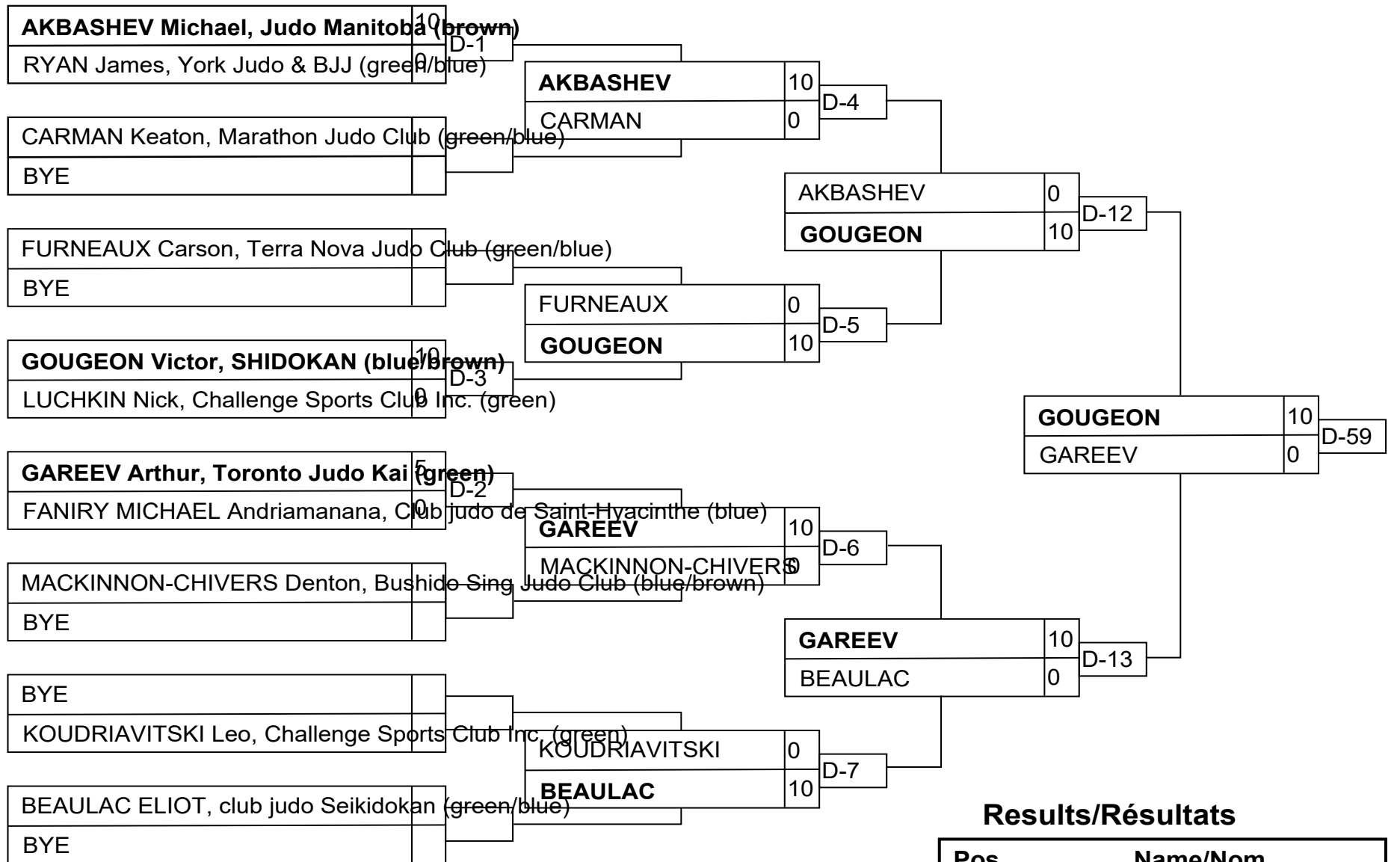
Results/Résultats

Pos	Name/Nom
1	DEMAERE Nathan, Lethbridge Kyodokan Judo Club (blue)
2	WU Alexander, Judo Alberta (blue)
3	SCHENK Emil, Judo BC (blue)
3	RUTTAN Liam, Peel Judo Club (blue)

U16 Men -60kg

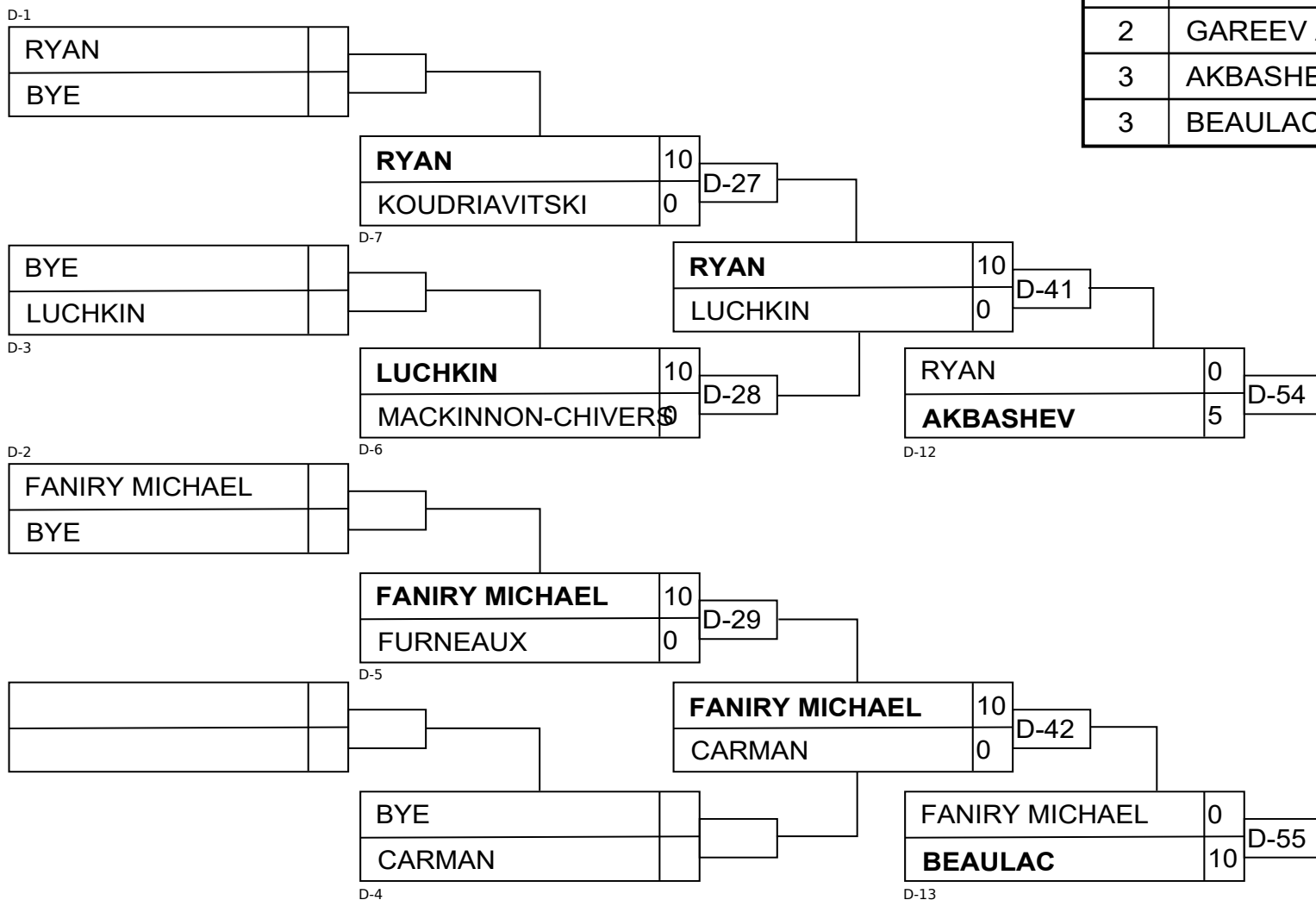


U16 Men -66kg



Results/Résultats

Pos	Name/Nom
1	GOUGEON Victor, SHIDOKAN (blue/brown)
2	GAREEV Arthur, Toronto Judo Kai (green)
3	AKBASHEV Michael, Judo Manitoba (brown)
3	BEAULAC ELIOT, club judo Seikidokan (green/blue)



U16 Men -73kg

Competitors/Compétiteurs

#	Name/Nom	Grade	Club	1	2	3	4	5	W/G	Pts	Pos
1	CHERKASHYN Bogdan	green	Toronto Judo Kai	XX					0	0	5
2	ROSA Gustavo	green	Club de Judo Maua-Bresil	5	XX	10	10	5	4	30	1
3	GAUDET WILLIAM	blue	club judo Seikidokan	10		XX	10	5	3	25	2
4	CROOK Shion	blue	Judo Alberta	10			XX		1	10	4
5	MCASEY Tighe	green	Judo Alberta	10			5	XX	2	15	3

Matches/Matches

Match	White/Blanc			Blue/Bleu	Res/Rés	Tim/Tmp	Code
A-15	CROOK Shion	4	5	MCASEY Tighe	0 - 5	3:00	WAZ
A-16	CHERKASHYN Bogdan	1	2	ROSA Gustavo	0 - 5	3:00	WAZ
A-23	GAUDET WILLIAM	3	4	CROOK Shion	10 - 0	0:36	IPO
A-24	CHERKASHYN Bogdan	1	5	MCASEY Tighe	0 - 10	2:50	IPO
A-32	ROSA Gustavo	2	3	GAUDET WILLIAM	10 - 0	0:48	IPO
A-33	CHERKASHYN Bogdan	1	4	CROOK Shion	0 - 10	0:00	KIK
A-44	GAUDET WILLIAM	3	5	MCASEY Tighe	5 - 0	4:29	GSW
A-45	ROSA Gustavo	2	4	CROOK Shion	10 - 0	2:56	IPO
A-54	CHERKASHYN Bogdan	1	3	GAUDET WILLIAM	0 - 10	0:00	KIK
A-55	ROSA Gustavo	2	5	MCASEY Tighe	5 - 0	3:00	WAZ

Results/Résultats

Pos	Name/Nom
1	ROSA Gustavo, Club de Judo Maua-Bresil
2	GAUDET WILLIAM, club judo Seikidokan
3	MCASEY Tighe, Judo Alberta
4	CROOK Shion, Judo Alberta

U16 Women +70kg

Competitors/Compétiteurs

#	Name/Nom	Grade	Club	1	2	3	4	W/G	Pts	Pos
1	LEFEBVRE Élodie	green	Asbestos-danville	XX				0	0	4
2	KEAYS Janessa	green	Prince Albert Judo Club	10	XX			1	10	3
3	DOUGLAS Asia	brown	Toronto Judo Kai	10	10	XX	5	3	25	1
4	ULRICH Samantha	blue	Judo Manitoba	10	10		XX	2	20	2

Matches/Matches

Match	White/Blanc			Blue/Bleu	Res/Rés	Tim/Tmp	Code
E-24	LEFEBVRE Élodie	1	2	KEAYS Janessa	0 - 10	1:33	IPO
E-25	DOUGLAS Asia	3	4	ULRICH Samantha	5 - 0	3:00	WAZ
E-37	LEFEBVRE Élodie	1	3	DOUGLAS Asia	0 - 10	1:23	IPO
E-38	KEAYS Janessa	2	4	ULRICH Samantha	0 - 10	1:44	IPO
E-50	LEFEBVRE Élodie	1	4	ULRICH Samantha	0 - 10	1:01	IPO
E-51	KEAYS Janessa	2	3	DOUGLAS Asia	0 - 10	0:45	IPO

Results/Résultats

Pos	Name/Nom
1	DOUGLAS Asia, Toronto Judo Kai
2	ULRICH Samantha, Judo Manitoba
3	KEAYS Janessa, Prince Albert Judo Club

U16 Women -40kg

Competitors/Compétiteurs

#	Name/Nom	Grade	Club	1	2	1	2	1	2	W/G	Pts	Pos
1	MEZHERITSKY Naomi	green	Challenge Sports Club Inc.	XX		XX		XX		0	0	2
2	BEATON Evelyn	green	Judo Alberta	10	XX	10	XX		XX	2	20	1

Matches/Matches

Match	White/Blanc			Blue/Bleu	Res/Rés	Tim/Tmp	Code
B-29	MEZHERITSKY Naomi	1	2	BEATON Evelyn	0 - 10	0:29	IPO
B-40	BEATON Evelyn	2	1	MEZHERITSKY Naomi	10 - 0	1:41	IPO
B-49	MEZHERITSKY Naomi	1	2	BEATON Evelyn			

Results/Résultats

Pos	Name/Nom
1	BEATON Evelyn, Judo Alberta

U16 Women -44kg

Competitors/Compétiteurs

#	Name/Nom	Grade	Club	1	2	1	2	1	2	W/G	Pts	Pos
1	SAVOIE Mahée	green/blue	Judo Otoshi Dieppe	XX		XX		XX		0	0	2
2	KASTULIN Veronica	brown	Challenge Sports Club Inc.	10	XX	10	XX		XX	2	20	1

Matches/Matches

Match	White/Blanc			Blue/Bleu	Res/Rés	Tim/Tmp	Code
A-34	SAVOIE Mahée	1	2	KASTULIN Veronica	0 - 10	0:00	IPO
A-46	KASTULIN Veronica	2	1	SAVOIE Mahée	10 - 0	1:45	IPO
A-56	SAVOIE Mahée	1	2	KASTULIN Veronica			

Results/Résultats

Pos	Name/Nom
1	KASTULIN Veronica, Challenge Sports Club Inc.

U16 Women -52kg

Competitors/Compétiteurs A

#	Name/Nom	Grade	Club	1	2	3	4	W/G	Pts	Pos
1	EKOSKY Sarah	blue	Judo Manitoba	XX			10	1	10	3
2	GRISALES Angie Michelle	blue	Judo Alberta	5	XX		10	2	15	2
3	HATTENDORF Skylar	brown	Moreau?s Training Center	5	5	XX	10	3	20	1
4	ZHITAREVA Anna	brown	JCCC Judo Kai				XX	0	0	4

Matches/Matches A

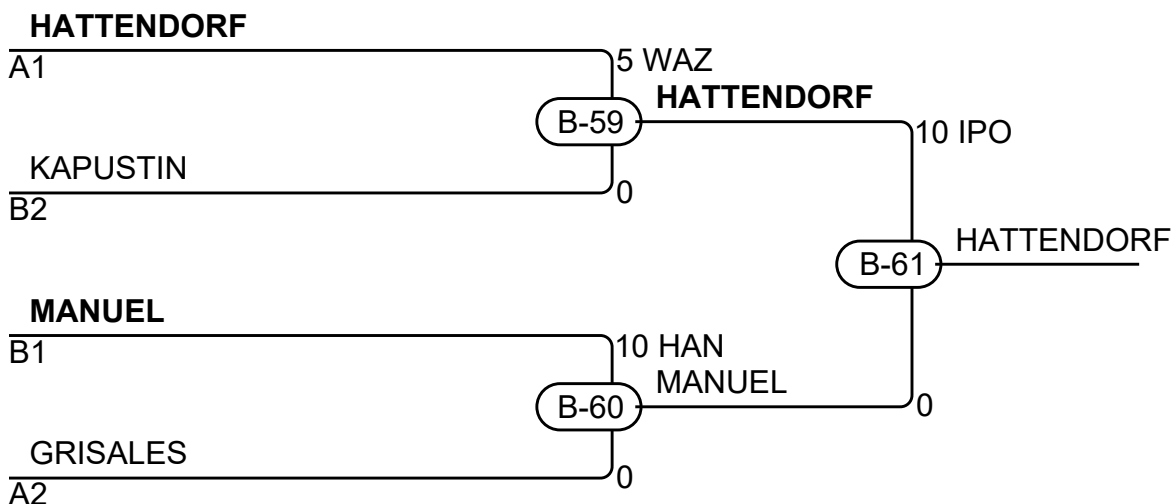
Match	White/Blanc	Blue/Bleu	Res/Rés	Tim/Tmp	Code
B-30	EKOSKY Sarah 1 2	GRISALES Angie Michelle	0 - 5	3:00	WAZ
B-31	HATTENDORF Skylar 3 4	ZHITAREVA Anna	10 - 0	3:00	IPO
B-42	EKOSKY Sarah 1 3	HATTENDORF Skylar	0 - 5	3:00	WAZ
B-42A	GRISALES Angie Michelle 2 4	ZHITAREVA Anna	10 - 0	1:59	DHM
B-51	EKOSKY Sarah 1 4	ZHITAREVA Anna	10 - 0	0:00	KIK
B-51A	GRISALES Angie Michelle 2 3	HATTENDORF Skylar	0 - 5	3:00	WAZ

Competitors/Compétiteurs B

#	Name/Nom	Grade	Club	5	6	7	W/G	Pts	Pos
5	KAPUSTIN Emily	brown	Tsunami Martial Arts Club	XX		10	1	10	2
6	MANUEL Alyssandra Phoebe	blue	Scarborough Dojo	5	XX	10	2	15	1
7	HAYES Destiny	blue	Bushido			XX	0	0	3

Matches/Matches B

Match	White/Blanc	Blue/Bleu	Res/Rés	Tim/Tmp	Code
B-41	KAPUSTIN Emily 5 6	MANUEL Alyssandra Phoebe	0 - 5	3:00	WAZ
B-50	KAPUSTIN Emily 5 7	HAYES Destiny	10 - 0	0:31	IPO
B-54A	MANUEL Alyssandra Phoebe 6 7	HAYES Destiny	10 - 0	0:06	IPO



Results/Résultats

Pos	Name/Nom
1	HATTENDORF Skylar, Moreau?s Training Center
2	MANUEL Alyssandra Phoebe, Scarborough Dojo
3	KAPUSTIN Emily, Tsunami Martial Arts Club
3	GRISALES Angie Michelle, Judo Alberta

U16 Women -57kg

Competitors/Compétiteurs A

#	Name/Nom	Grade	Club	1	2	3	W/G	Pts	Pos
1	KINDERWATER Sydney	green	Team Alberta	XX	10	10	2	20	1
2	ORMSTON Eden	green	Hayabusakan Judo		XX		0	0	3
3	MACDONALD Meadow	green	Jackpine Judo Club		10	XX	1	10	2

Matches/Matches A

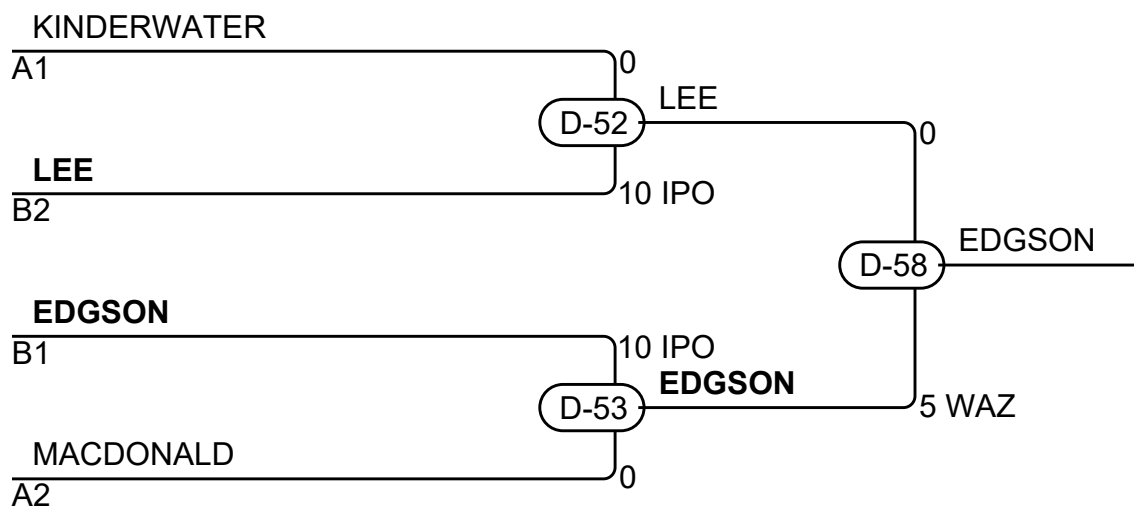
Match	White/Blanc			Blue/Bleu	Res/Rés	Tim/Tmp	Code
D-10	KINDERWATER Sydney	1	2	ORMSTON Eden	10 - 0	0:34	IPO
D-25	KINDERWATER Sydney	1	3	MACDONALD Meadow	10 - 0	2:08	IPO
D-39	ORMSTON Eden	2	3	MACDONALD Meadow	0 - 10	0:38	IPO

Competitors/Compétiteurs B

#	Name/Nom	Grade	Club	4	5	6	W/G	Pts	Pos
4	LEE Anne Hyunkyung	blue	Shin Bu Kan (Mississauga Judo)	XX	10		1	10	2
5	PEDDLE Hailey	blue	Hachikan		XX		0	0	3
6	EDGSON Sydney	blue	Judo BC	5	10	XX	2	15	1

Matches/Matches B

Match	White/Blanc			Blue/Bleu	Res/Rés	Tim/Tmp	Code
D-11	LEE Anne Hyunkyung	4	5	PEDDLE Hailey	10 - 0	0:32	IPO
D-26	LEE Anne Hyunkyung	4	6	EDGSON Sydney	0 - 5	3:00	WAZ
D-40	PEDDLE Hailey	5	6	EDGSON Sydney	0 - 10	0:20	IPO



Results/Résultats

Pos	Name/Nom
1	EDGSON Sydney, Judo BC
2	LEE Anne Hyunkyung, Shin Bu Kan (Mississauga Judo)
3	KINDERWATER Sydney, Team Alberta
3	MACDONALD Meadow, Jackpine Judo Club

U16 Women -63kg

Competitors/Compétiteurs A

#	Name/Nom	Grade	Club	1	2	3	W/G	Pts	Pos
1	GOASDOUÉ-WALLACE Greta	blue	Judo Alberta	XX			0	0	3
2	BLAKE Emma	blue	Asahi Judo Club	10	XX	10	2	20	1
3	LUND Tiana	green	Judo BC	10		XX	1	10	2

Matches/Matches A

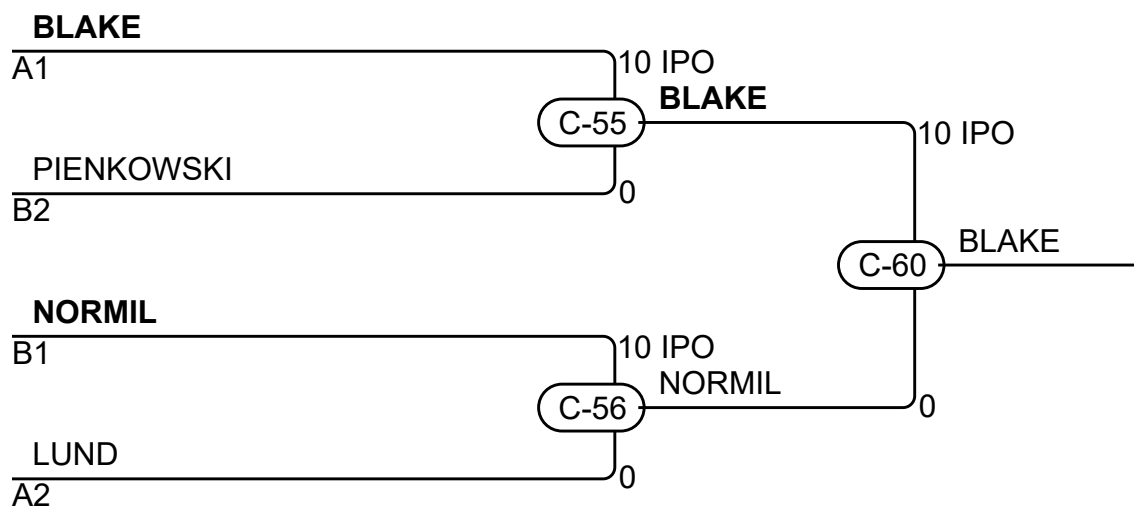
Match	White/Blanc	Blue/Bleu	Res/Rés	Tim/Tmp	Code
C-20	GOASDOUÉ-WALLACE Greta 1 2	BLAKE Emma	0 - 10	0:35	DHM
C-30	GOASDOUÉ-WALLACE Greta 1 3	LUND Tiana	0 - 10	0:00	IPO
C-44	BLAKE Emma 2 3	LUND Tiana	10 - 0	0:50	IPO

Competitors/Compétiteurs B

#	Name/Nom	Grade	Club	4	5	6	W/G	Pts	Pos
4	NORMIL Lara	blue	métropolitain	XX	10	5	2	15	1
5	PIENKOWSKI Coralea	blue	Alberta		XX	5	1	5	2
6	ABDELREHIM nouran	blue	Ajax Budokan			XX	0	0	3

Matches/Matches B

Match	White/Blanc	Blue/Bleu	Res/Rés	Tim/Tmp	Code
C-21	NORMIL Lara 4 5	PIENKOWSKI Coralea	10 - 0	3:00	IPO
C-31	NORMIL Lara 4 6	ABDELREHIM nouran	5 - 0	3:00	WAZ
C-45	PIENKOWSKI Coralea 5 6	ABDELREHIM nouran	5 - 0	3:00	WAZ



Results/Résultats

Pos	Name/Nom
1	BLAKE Emma, Asahi Judo Club
2	NORMIL Lara, métropolitain
3	PIENKOWSKI Coralea, Alberta
3	LUND Tiana, Judo BC

U16 Women -63kg (Tie Breaker)

Competitors/Compétiteurs

#	Name/Nom	Grade	Club	1	2	3	W/G	Pts	Pos
1	NORMIL Lara	?		XX	10	5	2	15	1
2	PIENKOWSKI Coralea	?			XX	5	1	5	2
3	ABELREHIM Nouran	?				XX	0	0	3

Matches/Matches

Match	White/Blanc			Blue/Bleu	Res/Rés	Tim/Tmp	Code
C-49A	NORMIL Lara	1	2	PIENKOWSKI Coralea	10 - 0	2:35	IPO
C-51A	NORMIL Lara	1	3	ABELREHIM Nouran	5 - 0	3:00	WAZ
C-53A	PIENKOWSKI Coralea	2	3	ABELREHIM Nouran	5 - 0	3:00	WAZ

Results/Résultats

Pos	Name/Nom
1	NORMIL Lara,
2	PIENKOWSKI Coralea,

U16 Men +73kg

Competitors/Compétiteurs

#	Name/Nom	Grade	Club	1	2	3	4	W/G	Pts	Pos
1	MACUMBER Owen	blue	Ryudokan Judo Club	XX				0	0	4
2	ABDELREHIM Amr	brown	Ajax Budokan	10	XX	10	10	3	30	1
3	FARIAS Marco	blue	Club de Judo Maua-Bresil	10		XX	5	2	15	2
4	HOWALD Soren	green	Nickel Belt Budokan	10			XX	1	10	3

Matches/Matches

Match	White/Blanc			Blue/Bleu	Res/Rés	Tim/Tmp	Code
E-11	MACUMBER Owen	1	2	ABDELREHIM Amr	0 - 10	1:49	IPO
E-12	FARIAS Marco	3	4	HOWALD Soren	5 - 0	3:17	GSW
E-28	MACUMBER Owen	1	3	FARIAS Marco	0 - 10	0:00	IPO
E-29	ABDELREHIM Amr	2	4	HOWALD Soren	10 - 0	2:30	IPO
E-41	MACUMBER Owen	1	4	HOWALD Soren	0 - 10	2:56	IPO
E-42	ABDELREHIM Amr	2	3	FARIAS Marco	10 - 0	0:14	HAN

Results/Résultats

Pos	Name/Nom
1	ABDELREHIM Amr, Ajax Budokan
2	FARIAS Marco, Club de Judo Maua-Bresil
3	HOWALD Soren, Nickel Belt Budokan

U16 Men -38kg

Competitors/Compétiteurs

#	Name/Nom	Grade	Club	1	2	3	4	5	W/G	Pts	Pos
1	LAZENBY Aidan	blue	Judo Alberta	XX	10	5	10	10	4	35	1
2	MAYOROV Philipp	green	Challenge Sports Club Inc.		XX			1	1	1	4
3	LITZENBERGER Euan	blue	South Corman Park Judo Club		10	XX		10	2	20	3
4	DEMAERE Caleb	green	Judo Alberta		10	10	XX	10	3	30	2
5	HILL Elijah	green	Judo Alberta					XX	0	0	5

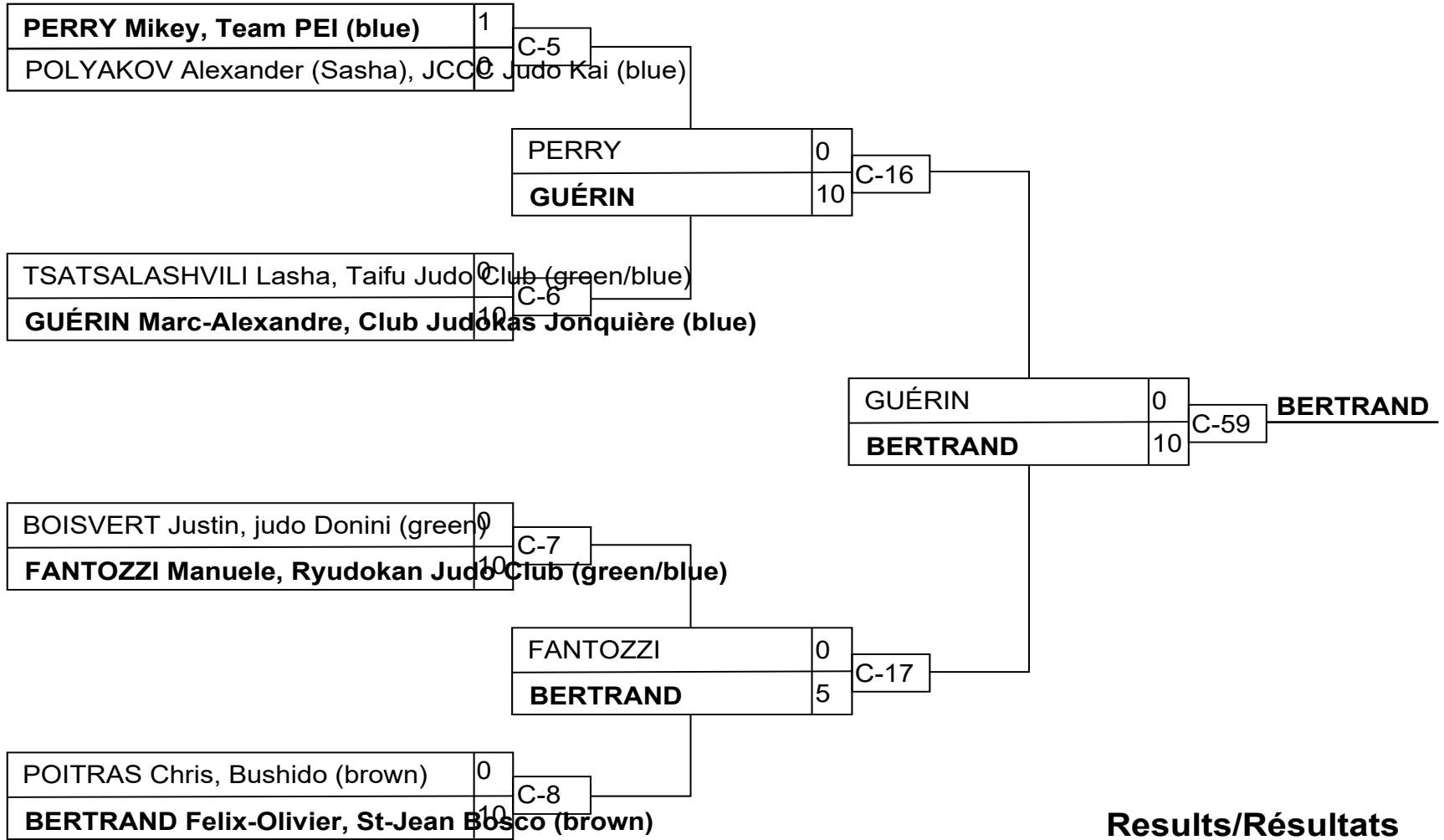
Matches/Matches

Match	White/Blanc			Blue/Bleu	Res/Rés	Tim/Tmp	Code
C-13	DEMAERE Caleb	4	5	HILL Elijah	10 - 0	0:49	IPO
C-14	LAZENBY Aidan	1	2	MAYOROV Philipp	10 - 0	2:14	HAN
C-18	LITZENBERGER Euan	3	4	DEMAERE Caleb	0 - 10	2:01	IPO
C-19	LAZENBY Aidan	1	5	HILL Elijah	10 - 0	0:43	IPO
C-26	MAYOROV Philipp	2	3	LITZENBERGER Euan	0 - 10	3:33	HAN
C-27	LAZENBY Aidan	1	4	DEMAERE Caleb	10 - 0	0:40	IPO
C-38	LITZENBERGER Euan	3	5	HILL Elijah	10 - 0	0:58	IPO
C-39	MAYOROV Philipp	2	4	DEMAERE Caleb	0 - 10	1:40	IPO
C-50	LAZENBY Aidan	1	3	LITZENBERGER Euan	5 - 0	3:00	WAZ
C-51	MAYOROV Philipp	2	5	HILL Elijah	1 - 0	4:49	GSD

Results/Résultats

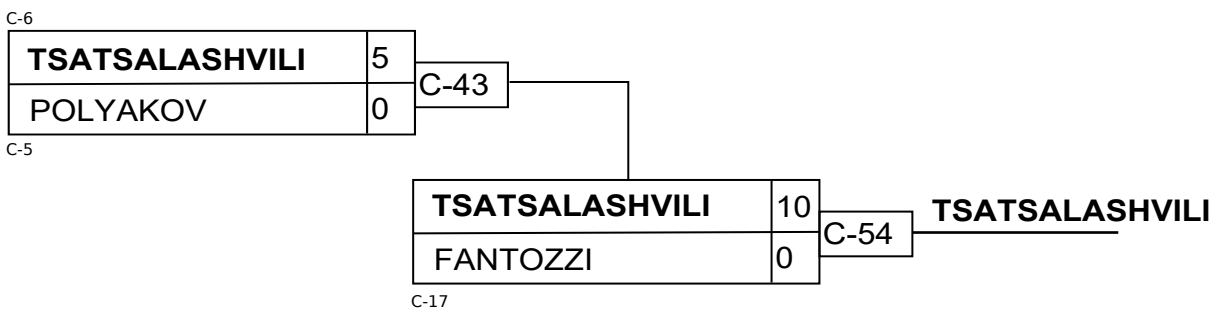
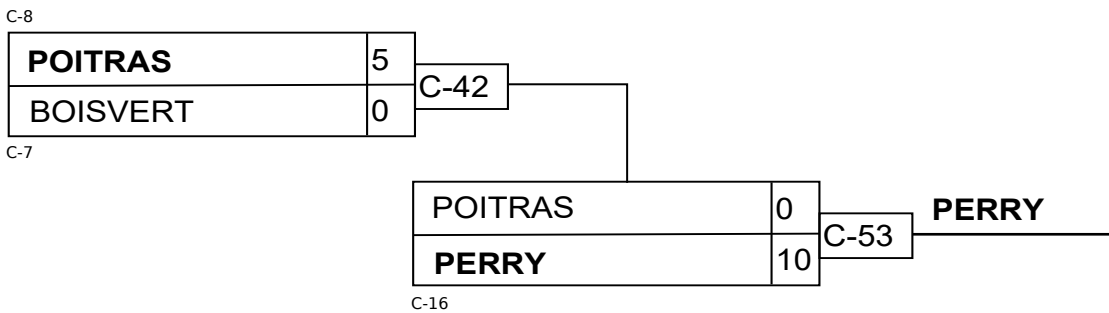
Pos	Name/Nom
1	LAZENBY Aidan, Judo Alberta
2	DEMAERE Caleb, Judo Alberta
3	LITZENBERGER Euan, South Corman Park Judo Club
4	MAYOROV Philipp, Challenge Sports Club Inc.

U16 Men -42kg



Results/Résultats

Pos	Name/Nom
1	BERTRAND Felix-Olivier, St-Jean Bosco
2	GUÉRIN Marc-Alexandre, Club Judo Kas Jonquière
3	PERRY Mikey, Team PEI (blue)
3	TSATSALASHVILI Lasha, Taifu Judo Club (green/blue)



U16 Men -46kg

Competitors/Compétiteurs

#	Name/Nom	Grade	Club	1	2	3	4	5	W/G	Pts	Pos
1	CALDWELL Duncan	green	Terra Nova Judo Club	XX	10		10		2	20	3
2	NEPTON Samuel	blue	Club Judokas Jonquière		XX			10	1	10	4
3	GAGNON Olivier	blue/brown	Club Judokas Jonquière	10	10	XX	10	10	4	40	1
4	MOFFATT Perry	green/blue	Bushido Sing Judo Club		5		XX		1	5	5
5	CHITOV Ivan	blue	JCCC Judo Kai	10			10	XX	2	20	2

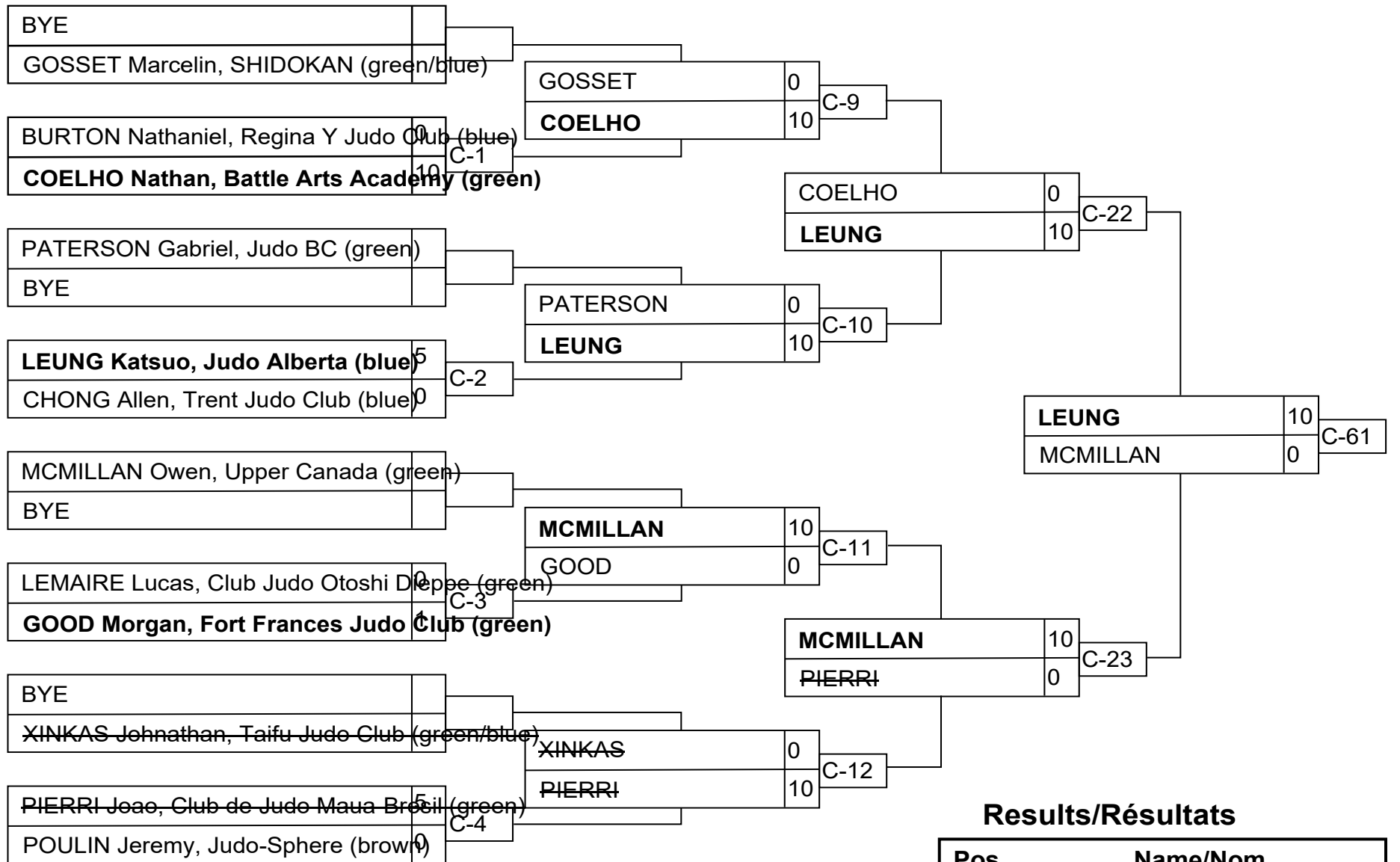
Matches/Matches

Match	White/Blanc			Blue/Bleu	Res/Rés	Tim/Tmp	Code
E-7	MOFFATT Perry	4	5	CHITOV Ivan	0 - 10	2:37	IPO
E-8	CALDWELL Duncan	1	2	NEPTON Samuel	10 - 0	1:12	IPO
E-13	GAGNON Olivier	3	4	MOFFATT Perry	10 - 0	1:27	IPO
E-14	CALDWELL Duncan	1	5	CHITOV Ivan	0 - 10	0:46	IPO
E-22	NEPTON Samuel	2	3	GAGNON Olivier	0 - 10	1:43	IPO
E-23	CALDWELL Duncan	1	4	MOFFATT Perry	10 - 0	0:12	IPO
E-35	GAGNON Olivier	3	5	CHITOV Ivan	10 - 0	0:58	IPO
E-36	NEPTON Samuel	2	4	MOFFATT Perry	0 - 5	3:26	GSW
E-48	CALDWELL Duncan	1	3	GAGNON Olivier	0 - 10	0:28	IPO
E-49	NEPTON Samuel	2	5	CHITOV Ivan	10 - 0	0:37	IPO

Results/Résultats

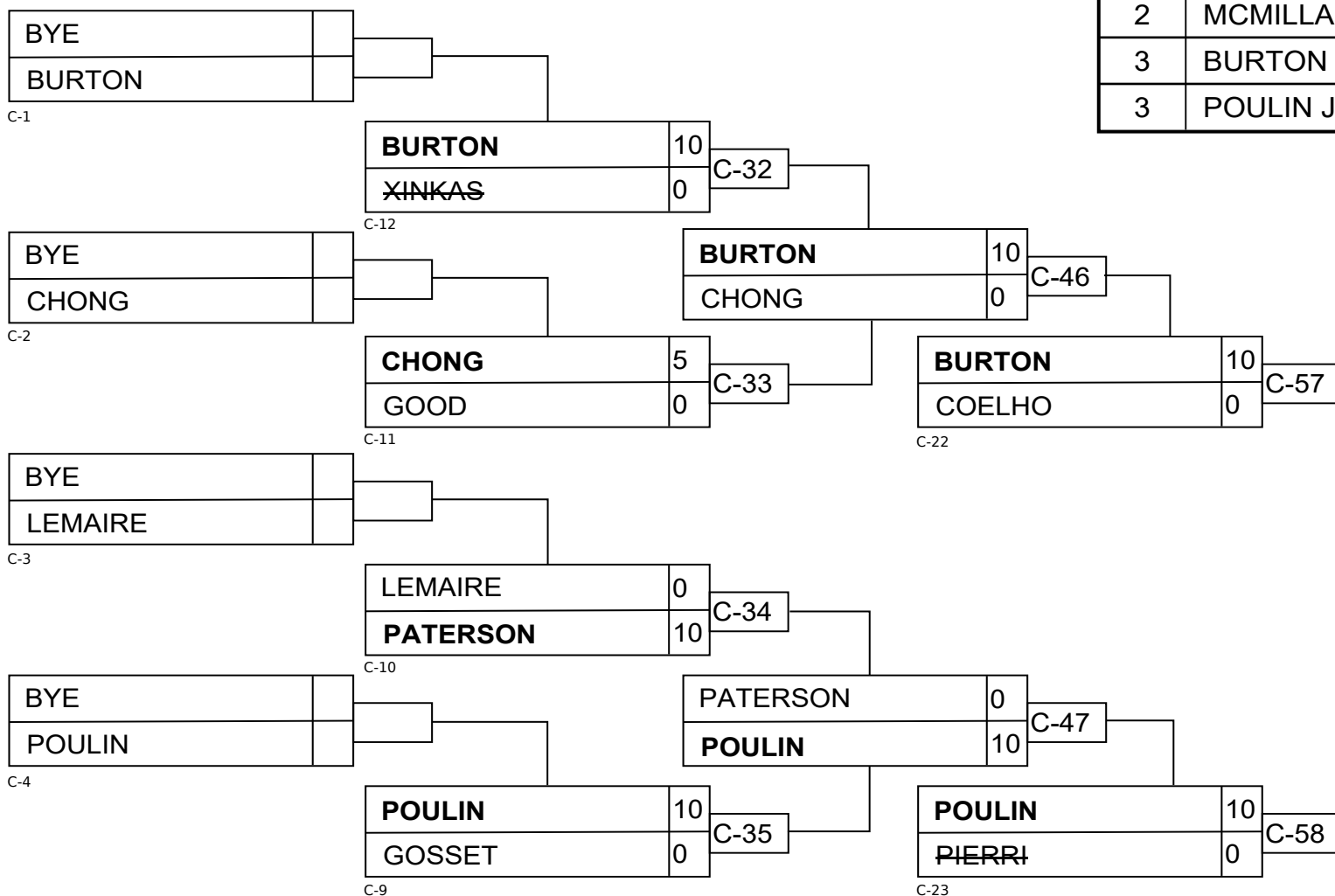
Pos	Name/Nom
1	GAGNON Olivier, Club Judokas Jonquière
2	CHITOV Ivan, JCCC Judo Kai
3	CALDWELL Duncan, Terra Nova Judo Club
4	NEPTON Samuel, Club Judokas Jonquière
5	MOFFATT Perry, Bushido Sing Judo Club

U16 Men -50kg

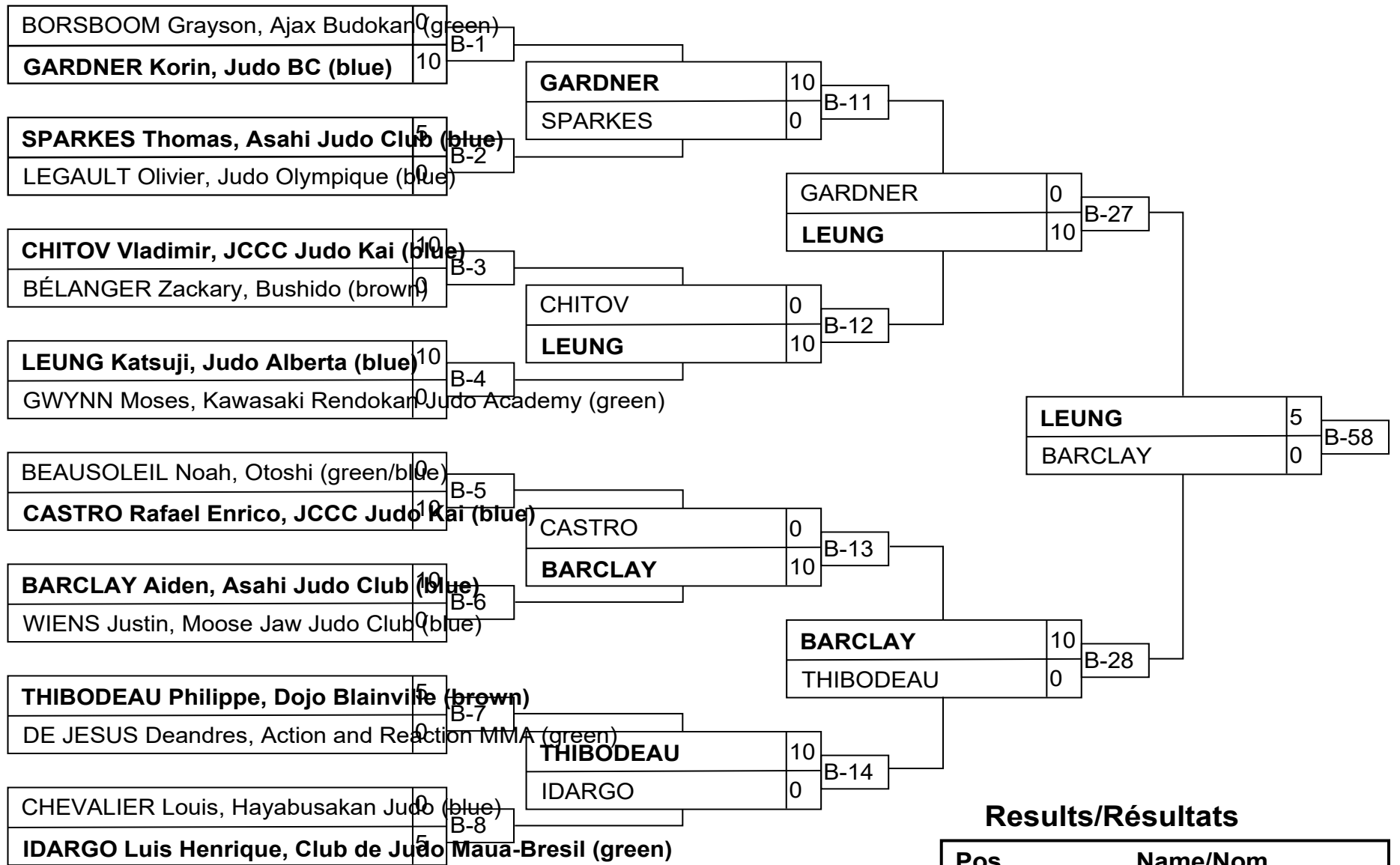


Results/Résultats

Pos	Name/Nom
1	LEUNG Katsuo, Judo Alberta (blue)
2	MCMILLAN Owen, Upper Canada (green)
3	BURTON Nathaniel, Regina Y Judo Club (blue)
3	POULIN Jeremy, Judo-Sphere (brown)



U16 Men -55kg



Results/Résultats

Pos	Name/Nom
1	LEUNG Katsuji, Judo Alberta (blue)
2	BARCLAY Aiden, Asahi Judo Club (blue)
3	GARDNER Korin, Judo BC (blue)
3	THIBODEAU Philippe, Dojo Blainville (brown)

