

Senior Advanced Men -100kg

Competitors A

#	Name	Grade	Club	1	2	3	4	Wins	Pts	Pos
1	CONNORS chris	Shodan	Dakota Judo Club	XX	10	10	10	3	30	1
2	DWYER Cody	Brown	Niagara Falls Judo & BJJ		XX	10	10	2	20	2
3	PUDAS Isaac	Shodan	Kiseki Judo			XX		0	0	4
4	ST LOUIS Terry	Brown	Sho Jin Judo Club			10	XX	1	10	3

Matches A

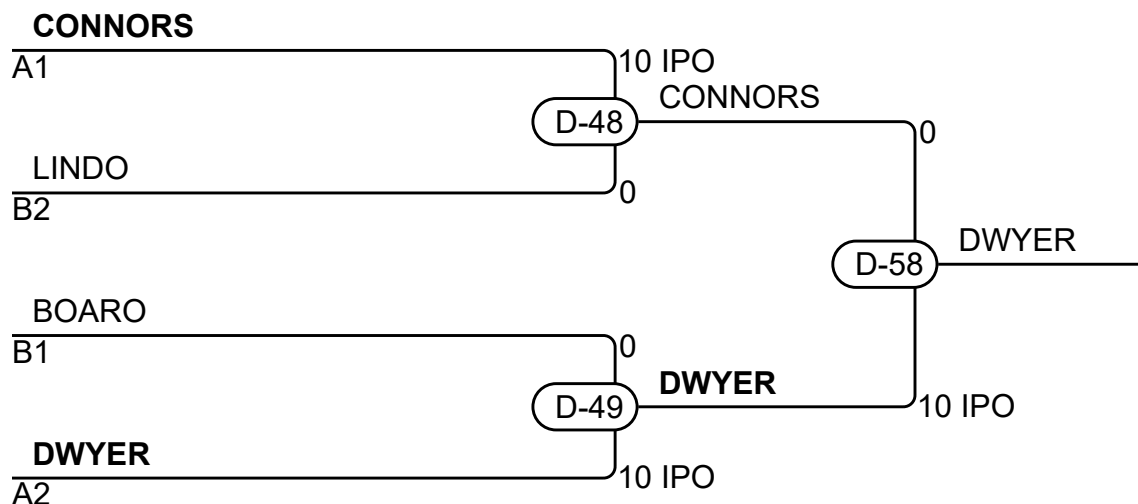
Match	White	Blue	Result	Time	Code
D-1	CONNORS chris 1 2	DWYER Cody	10 - 0	1:37	IPO
D-2	PUDAS Isaac 3 4	ST LOUIS Terry	0 - 10	0:00	IPO
D-8	CONNORS chris 1 3	PUDAS Isaac	10 - 0	0:00	IPO
D-9	DWYER Cody 2 4	ST LOUIS Terry	10 - 0	1:20	WIP
D-34	CONNORS chris 1 4	ST LOUIS Terry	10 - 0	0:15	IPO
D-35	DWYER Cody 2 3	PUDAS Isaac	10 - 0	0:00	IPO

Competitors B

#	Name	Grade	Club	5	6	7	Wins	Pts	Pos
5	LINDO Richard	Nidan	Kawasaki Rendokan Judo A	XX		10	1	10	2
6	BOARO Kristopher	Shodan	North Bay Judo Club	10	XX	5	2	15	1
7	CHOUINARD Yohan	Shodan	Sept iles			XX	0	0	3

Matches B

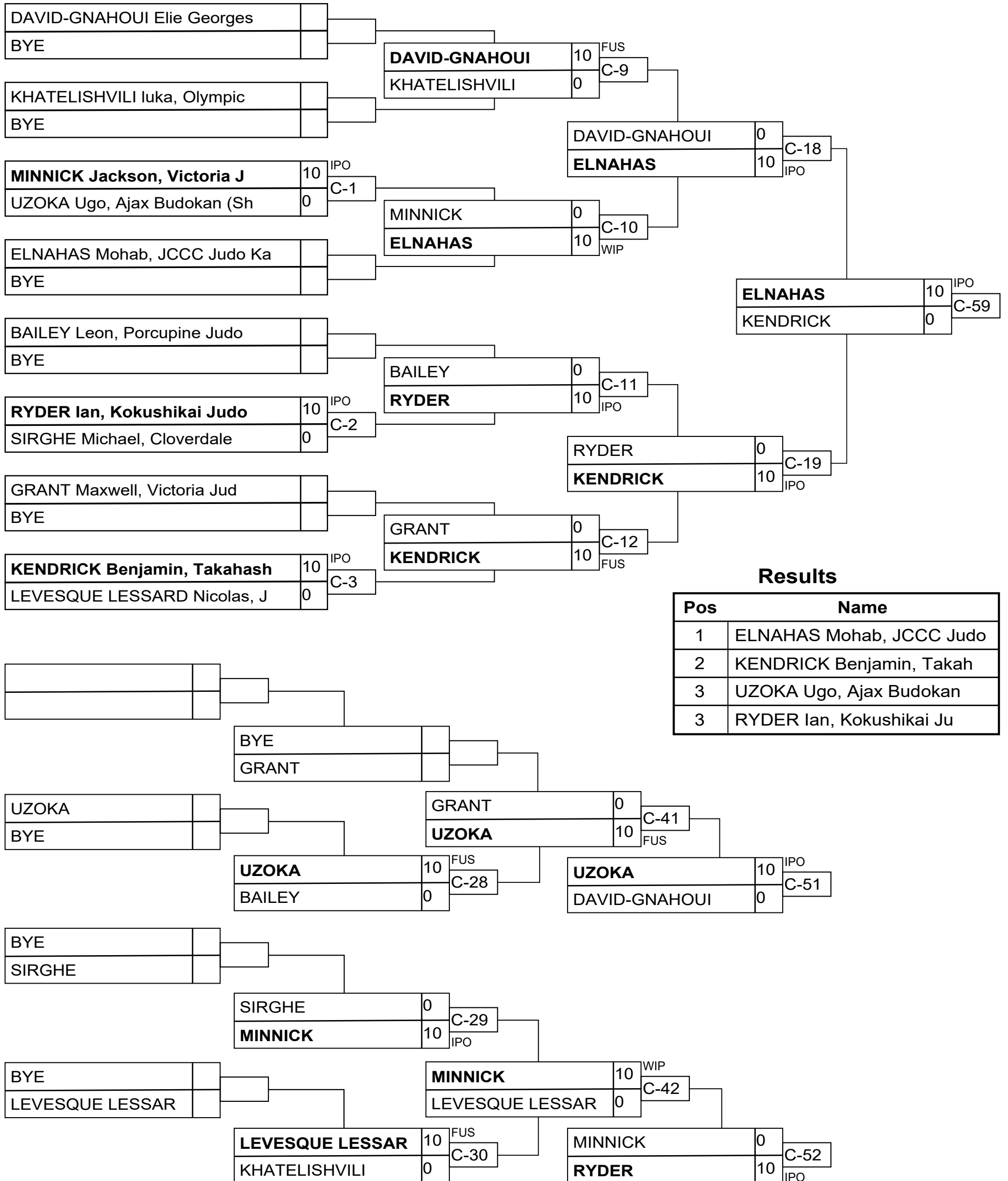
Match	White	Blue	Result	Time	Code
D-3	LINDO Richard 5 6	BOARO Kristopher	0 - 10	1:12	IPO
D-10	LINDO Richard 5 7	CHOUINARD Yohan	10 - 0	1:20	WIP
D-36	BOARO Kristopher 6 7	CHOUINARD Yohan	5 - 0	4:00	WAZ



Results

Pos	Name
1	DWYER Cody, Niagara Falls Judo & BJJ Centre
2	CONNORS chris, Dakota Judo Club
3	LINDO Richard, Kawasaki Rendokan Judo Academy
3	BOARO Kristopher, North Bay Judo Club

Senior Advanced Men -90kg



Results

Pos	Name
1	ELNAHAS Mohab, JCCC Judo
2	KENDRICK Benjamin, Takah
3	UZOKA Ugo, Ajax Budokan
3	RYDER Ian, Kokushikai Ju

U14 Men -34kg

Competitors

#	Name	Grade	Club	1	2	3	Wins	Pts	Pos
1	SCHESNUIK Matthew	Blue	JCCC Judo Kai	XX			0	0	3
2	MULOKANDOV Michael	Green	Taifu Judo Club	10	XX	10	2	20	1
3	KASTULIN Erik	Blue	Challenge Sports Club In	5		XX	1	5	2

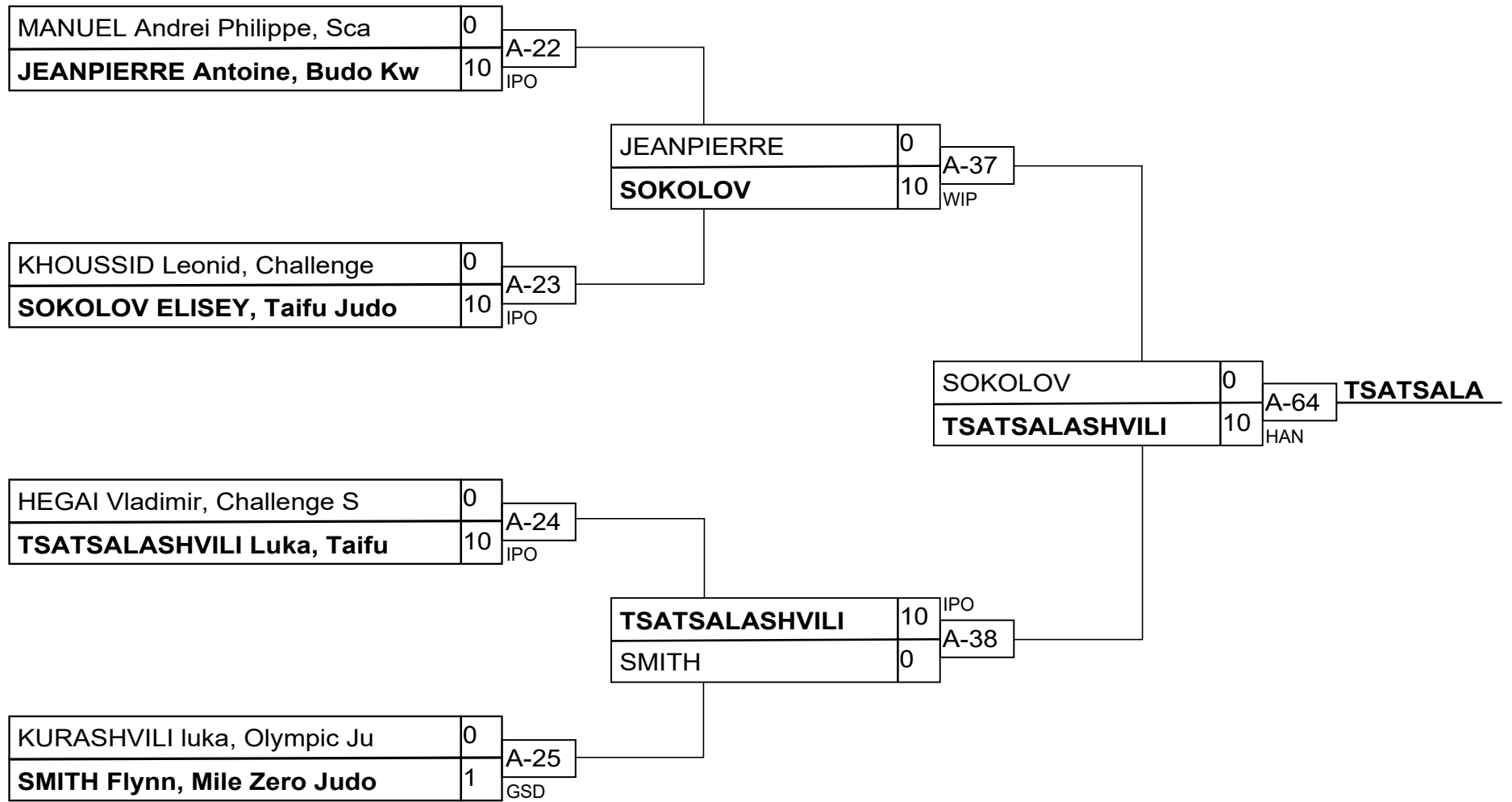
Matches

Match	White			Blue	Result	Time	Code
E-30	SCHESNUIK Matthew	1	2	MULOKANDOV Michael	0 - 10	2:20	HAN
E-44	SCHESNUIK Matthew	1	3	KASTULIN Erik	0 - 5	3:00	WAZ
E-55	MULOKANDOV Michael	2	3	KASTULIN Erik	10 - 0	0:57	IPO

Results

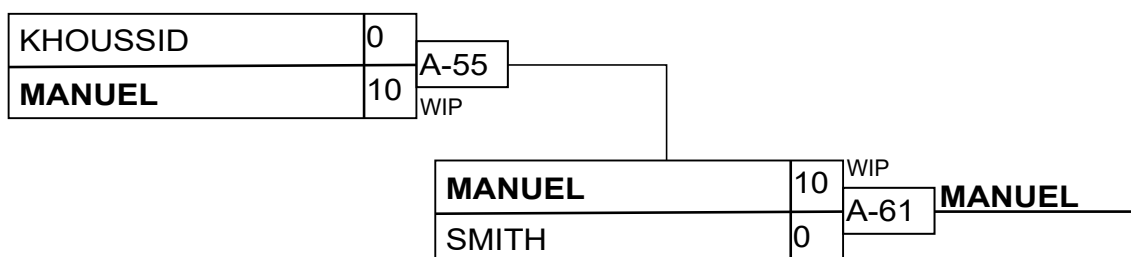
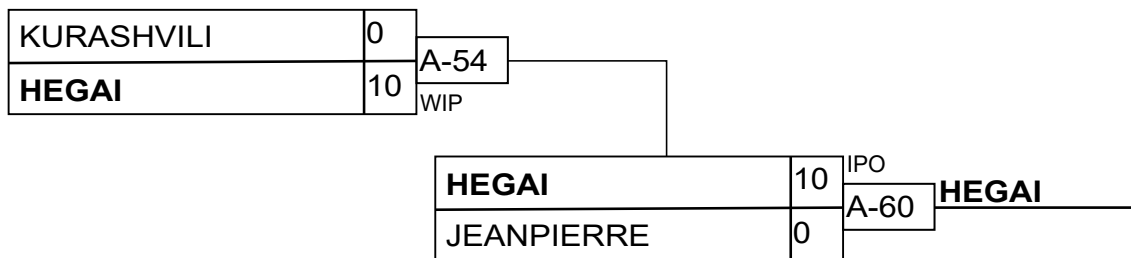
Pos	Name
1	MULOKANDOV Michael, Taifu Judo Club
2	KASTULIN Erik, Challenge Sports Club Inc.

U14 Men -38kg

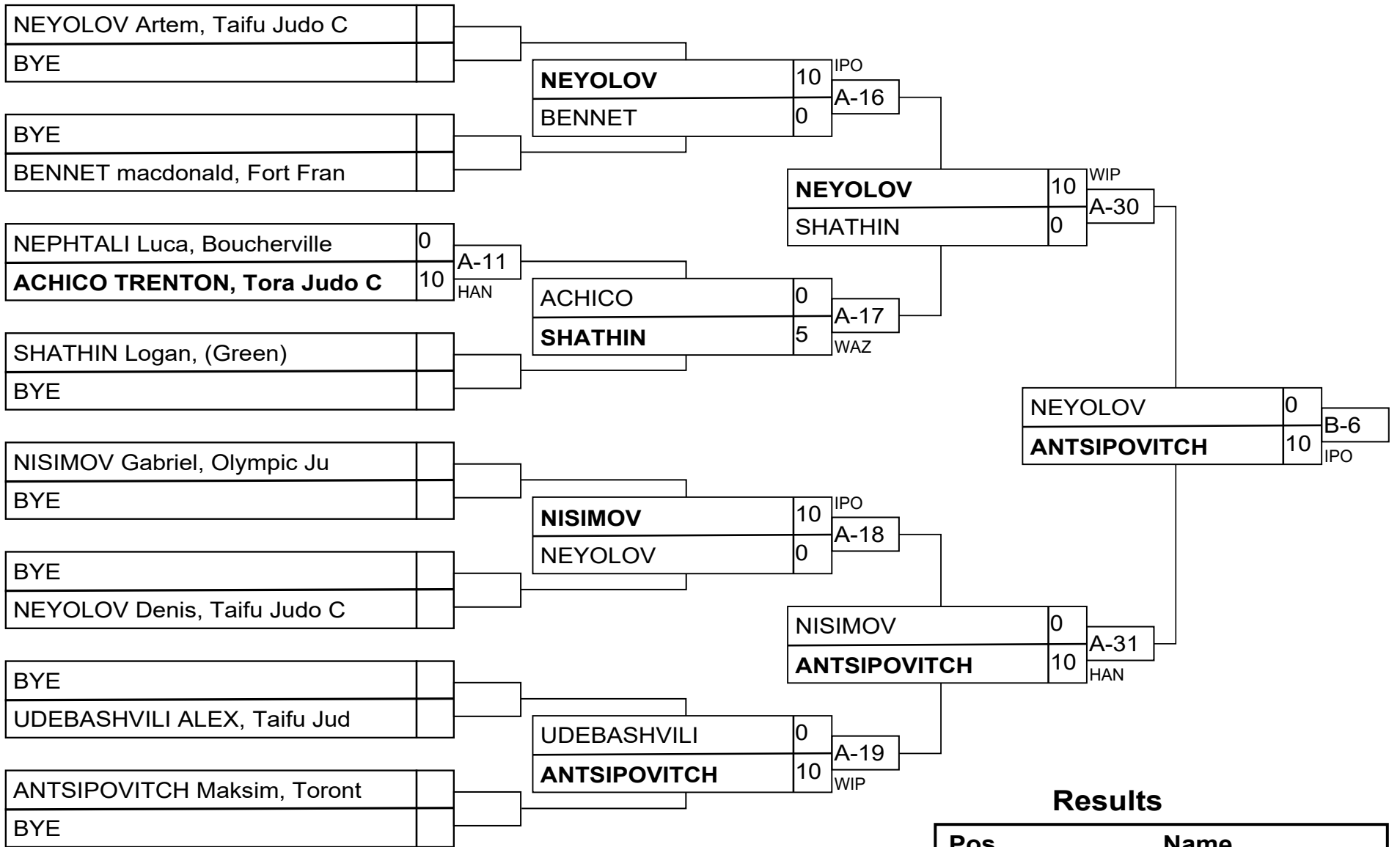


Results

Pos	Name
1	TSATSALASHVILI Luka, Tai
2	SOKOLOV ELISEY, Taifu Ju
3	HEGAI Vladimir, Challeng
3	MANUEL Andrei Philippe,

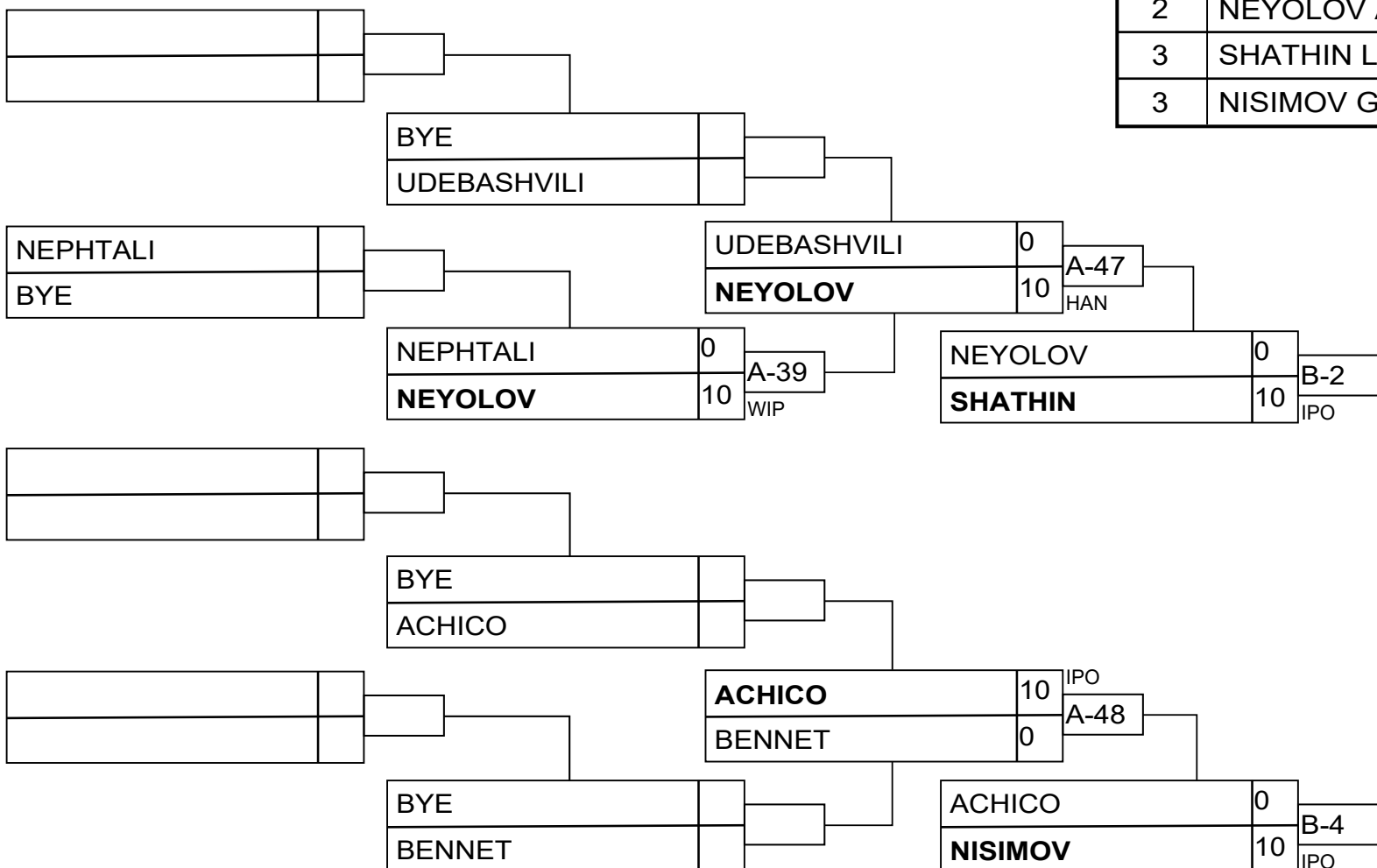


U14 Men -42kg



Results

Pos	Name
1	ANTSIPOVITCH Maksim, Tor
2	NEYOLOV Artem, Taifu Jud
3	SHATHIN Logan, (Green)
3	NISIMOV Gabriel, Olympic



U14 Men -46kg

Competitors

#	Name	Grade	Club	1	2	3	4	5	Wins	Pts	Pos
1	DE JESUS Dylan	Green	Action and Reaction MMA	XX		5		10	2	15	3
2	SEVASTIDIS Georgios	Green	Olympic Judo Centre	10	XX	10		10	3	30	2
3	HAASE Harman	Green	Judo Saskatchewan			XX		10	1	10	4
4	KASICH Nick	Green	Taifu Judo Club	10	10	10	XX	10	4	40	1
5	LISSITSAS Christos	Green	Toronto Judo Kai					XX	0	0	5

Matches

Match	White			Blue	Result	Time	Code
A-2A	KASICH Nick	4	5	LISSITSAS Christos	10 - 0	0:06	IPO
A-3A	DE JESUS Dylan	1	2	SEVASTIDIS Georgios	0 - 10	0:55	WIP
A-45	HAASE Harman	3	4	KASICH Nick	0 - 10	0:11	IPO
A-46	DE JESUS Dylan	1	5	LISSITSAS Christos	10 - 0	2:16	WIP
A-52	SEVASTIDIS Georgios	2	3	HAASE Harman	10 - 0	0:00	WIP
A-53	DE JESUS Dylan	1	4	KASICH Nick	0 - 10	1:58	IPO
A-56B	HAASE Harman	3	5	LISSITSAS Christos	10 - 0	0:38	WIP
A-57A	SEVASTIDIS Georgios	2	4	KASICH Nick	0 - 10	1:52	WIP
A-59A	DE JESUS Dylan	1	3	HAASE Harman	5 - 0	3:00	WAZ
A-64A	SEVASTIDIS Georgios	2	5	LISSITSAS Christos	10 - 0	0:06	IPO

Results

Pos	Name
1	KASICH Nick, Taifu Judo Club
2	SEVASTIDIS Georgios, Olympic Judo Centre
3	DE JESUS Dylan, Action and Reaction MMA
4	HAASE Harman, Judo Saskatchewan

U14 Men -50kg

Competitors

#	Name	Grade	Club	1	2	1	2	1	2	Wins	Pts	Pos
1	IVANOV Maxim	Brown	Tsunami Martial Arts Clu	XX		XX		XX		0	0	2
2	HSIEH Jibrán	Green	Paineiras Do Morumby	10	XX	10	XX		XX	2	20	1

Matches

Match	White			Blue	Result	Time	Code
D-7A	IVANOV Maxim	1	2	HSIEH Jibrán	0 - 10	2:06	HAN
D-13A	HSIEH Jibrán	2	1	IVANOV Maxim	10 - 0	3:00	IPO
D-19A	IVANOV Maxim	1	2	HSIEH Jibrán			

Results

Pos	Name
1	HSIEH Jibrán, Paineiras Do Morumby

U14 Men -60kg

Competitors

#	Name	Grade	Club	1	2	3	Wins	Pts	Pos
1	TSYRUK Nikita	Green	Hoku Sei Kan Judo Club	XX			0	0	3
2	DELL' AQUILA Lucas	Blue	Paineiras Do Morumby	10	XX	10	2	20	1
3	IQBALI Darwish	Green	York Judo & BJJ	10		XX	1	10	2

Matches

Match	White			Blue	Result	Time	Code
D-29	TSYRUK Nikita	1	2	DELL' AQUILA Lucas	0 - 10	0:51	IPO
D-30	TSYRUK Nikita	1	3	IQBALI Darwish	0 - 10	1:38	IPO
D-43	DELL' AQUILA Lucas	2	3	IQBALI Darwish	10 - 0	0:26	WIP

Results

Pos	Name
1	DELL' AQUILA Lucas, Paineiras Do Morumby
2	IQBALI Darwish, York Judo & BJJ

U14 Men -66kg

Competitors

#	Name	Grade	Club	1	Wins	Pts	Pos
1	SERRANO Matthew	Green/Blue	Ajax Budokan	XX	0	0	1

Matches

Match	White	Blue	Result	Time	Code
-------	-------	------	--------	------	------

Results

Pos	Name

U14 Men +66kg

Competitors

#	Name	Grade	Club	1	Wins	Pts	Pos
1	GOGICHASHVILI Nikoloz	Green	Olympic Judo Centre	XX	0	0	1

Matches

Match	White	Blue	Result	Time	Code
-------	-------	------	--------	------	------

Results

Pos	Name

U14 Women -36kg

Competitors

#	Name	Grade	Club	1	2	1	2	1	2	Wins	Pts	Pos
1	IRVING Rayne	Green	Asahi Judo Club	XX		XX		XX		0	0	2
2	FLORES Alexandra	Green	Tora Judo Club	10	XX	5	XX		XX	2	15	1

Matches

Match	White			Blue	Result	Time	Code
A-34	IRVING Rayne	1	2	FLORES Alexandra	0 - 10	1:33	WIP
A-44	FLORES Alexandra	2	1	IRVING Rayne	5 - 0	3:00	WAZ
A-51	IRVING Rayne	1	2	FLORES Alexandra			

Results

Pos	Name
1	FLORES Alexandra, Tora Judo Club

U14 Women -40kg

Competitors

#	Name	Grade	Club	1	2	3	4	5	Wins	Pts	Pos
1	CASTRO Gabrielle Monique	Green	Toronto Judo Kai	XX	10	1	10	10	4	31	1
2	ORMSTON Olivia	Green	Hayabusakan Judo		XX		10	10	2	20	3
3	PERRY Shayna	Blue	Team PEI		10	XX	10	10	3	30	2
4	FENRICK Kobi	Green	Judo Saskatchewan				XX	10	1	10	4
5	GIBNEY Avery	Green	Judo Saskatchewan					XX	0	0	5

Matches

Match	White			Blue	Result	Time	Code
E-16	FENRICK Kobi	4	5	GIBNEY Avery	10 - 0	1:14	IPO
E-17	CASTRO Gabrielle Monique	1	2	ORMSTON Olivia	10 - 0	0:05	IPO
E-22	PERRY Shayna	3	4	FENRICK Kobi	10 - 0	0:19	IPO
E-23	CASTRO Gabrielle Monique	1	5	GIBNEY Avery	10 - 0	0:31	IPO
E-27	ORMSTON Olivia	2	3	PERRY Shayna	0 - 10	2:11	IPO
E-28	CASTRO Gabrielle Monique	1	4	FENRICK Kobi	10 - 0	1:29	WIP
E-41	PERRY Shayna	3	5	GIBNEY Avery	10 - 0	1:09	WIP
E-42	ORMSTON Olivia	2	4	FENRICK Kobi	10 - 0	1:20	WIP
E-52	CASTRO Gabrielle Monique	1	3	PERRY Shayna	1 - 0	3:13	GSD
E-53	ORMSTON Olivia	2	5	GIBNEY Avery	10 - 0	0:08	IPO

Results

Pos	Name
1	CASTRO Gabrielle Monique, Toronto Judo Kai
2	PERRY Shayna, Team PEI
3	ORMSTON Olivia, Hayabusakan Judo
4	FENRICK Kobi, Judo Saskatchewan

U14 Women -44kg

Competitors A

#	Name	Grade	Club	1	2	3	Wins	Pts	Pos
1	MYLVAGANAM Ema	Green	Club De Judo Du Lycee Cl	XX			0	0	3
2	MINEQUE Zen	Green	Trent Judo Club	10	XX		1	10	2
3	HUANG Leann	Green	Judo Saskatchewan	10	10	XX	2	20	1

Matches A

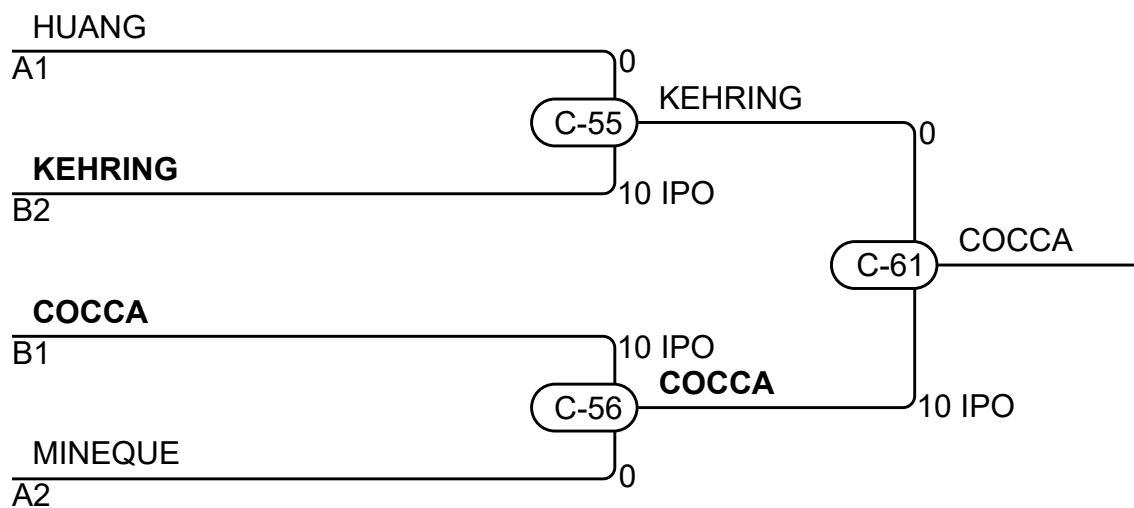
Match	White	Blue	Result	Time	Code
C-22	MYLVAGANAM Ema 1 2	MINEQUE Zen	0 - 10	2:24	IPO
C-35	MYLVAGANAM Ema 1 3	HUANG Leann	0 - 10	0:00	IPO
C-45	MINEQUE Zen 2 3	HUANG Leann	0 - 10	2:14	IPO

Competitors B

#	Name	Grade	Club	4	5	6	Wins	Pts	Pos
4	RATSKOVICH Nicole	Green	Challenge Sports Club In	XX			0	0	3
5	KEHRING Victoria	Green	Judo Saskatchewan	10	XX		1	10	2
6	COCCA Carolina	Green	Paineiras Do Morumby	10	10	XX	2	20	1

Matches B

Match	White	Blue	Result	Time	Code
C-23	RATSKOVICH Nicole 4 5	KEHRING Victoria	0 - 10	0:57	WIP
C-36	RATSKOVICH Nicole 4 6	COCCA Carolina	0 - 10	2:30	IPO
C-46	KEHRING Victoria 5 6	COCCA Carolina	0 - 10	1:29	WIP



Results

Pos	Name
1	COCCA Carolina, Paineiras Do Morumby
2	KEHRING Victoria, Judo Saskatchewan
3	HUANG Leann, Judo Saskatchewan
3	MINEQUE Zen, Trent Judo Club

U14 Women -52kg

Competitors

#	Name	Grade	Club	1	2	3	Wins	Pts	Pos
1	CHEVALIER Margot	Green	Hayabusakan Judo	XX	10		1	10	2
2	WONG Juniper	Green	Action and Reaction MMA		XX		0	0	3
3	KHAN Khadija	Green	Sheffield Judo	10	10	XX	2	20	1

Matches

Match	White			Blue	Result	Time	Code
E-29	CHEVALIER Margot	1	2	WONG Juniper	10 - 0	1:21	IPO
E-43	CHEVALIER Margot	1	3	KHAN Khadija	0 - 10	0:20	IPO
E-54	WONG Juniper	2	3	KHAN Khadija	0 - 10	2:33	WIP

Results

Pos	Name
1	KHAN Khadija, Sheffield Judo
2	CHEVALIER Margot, Hayabusakan Judo

U16 Men -38kg

Competitors A

#	Name	Grade	Club	1	2	3	4	Wins	Pts	Pos
1	DOMINIQUE William	Green	Dojo Zenshin	XX	10	10	10	3	30	1
2	ABDULLAYEV Rza	Green	Olympic Judo Centre		XX	10	10	2	20	2
3	LEVACHER Hugo	Blue	Torakai			XX	10	1	10	3
4	GAMET Victor	Green	club de judo St-Hyacinth				XX	0	0	4

Matches A

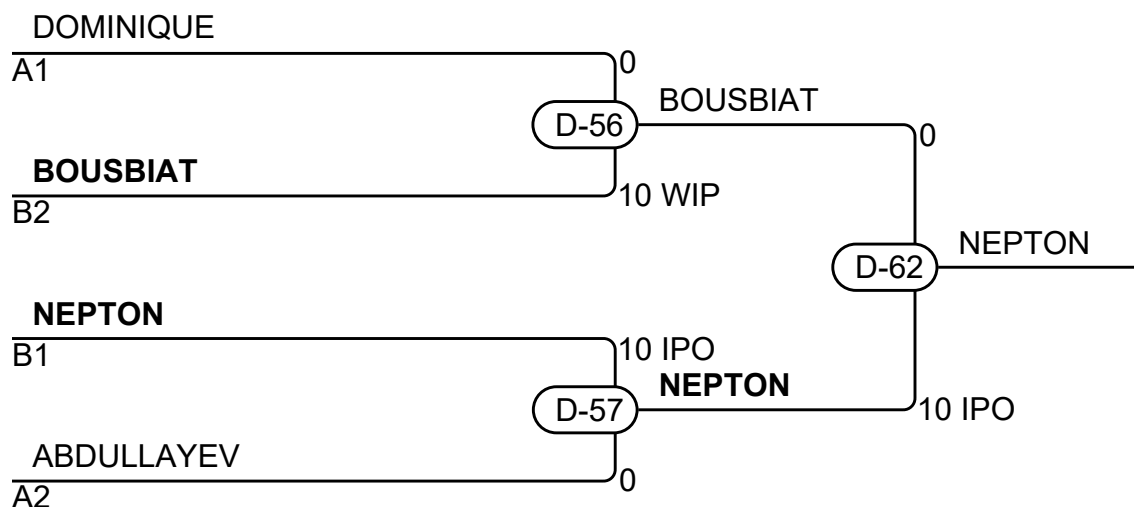
Match	White	Blue	Result	Time	Code
D-18	DOMINIQUE William 1 2	ABDULLAYEV Rza	10 - 0	1:14	IPO
D-19	LEVACHER Hugo 3 4	GAMET Victor	10 - 0	1:06	IPO
D-31	DOMINIQUE William 1 3	LEVACHER Hugo	10 - 0	2:00	IPO
D-32	ABDULLAYEV Rza 2 4	GAMET Victor	10 - 0	0:08	IPO
D-45	DOMINIQUE William 1 4	GAMET Victor	10 - 0	1:40	WIP
D-46	ABDULLAYEV Rza 2 3	LEVACHER Hugo	10 - 0	1:16	WIP

Competitors B

#	Name	Grade	Club	5	6	7	Wins	Pts	Pos
5	BOUSBIAT Sofiane	Green/Blue	Club de Judo Bouchervill	XX		10	1	10	2
6	NEPTON Vincent	Blue	Club Judokas Jonquiere	5	XX	10	2	15	1
7	BREZGIN Sazont	Blue	Toronto Judo Kai			XX	0	0	3

Matches B

Match	White	Blue	Result	Time	Code
D-20	BOUSBIAT Sofiane 5 6	NEPTON Vincent	0 - 5	4:23	GSW
D-33	BOUSBIAT Sofiane 5 7	BREZGIN Sazont	10 - 0	1:31	IPO
D-47	NEPTON Vincent 6 7	BREZGIN Sazont	10 - 0	0:37	IPO



Results

Pos	Name
1	NEPTON Vincent, Club Judokas Jonquiere
2	BOUSBIAT Sofiane, Club de Judo Boucherville
3	DOMINIQUE William, Dojo Zenshin
3	ABDULLAYEV Rza, Olympic Judo Centre

U16 Men -42kg

Competitors

#	Name	Grade	Club	1	2	3	4	5	Wins	Pts	Pos
1	BRULE Raphael	Brown	Club de judo Ghishintaid	XX	10		10		2	20	3
2	TURNER Ryan	Blue	Goose Bay Judo Club		XX				0	0	5
3	DEMAERE Caleb	Blue	lethbridge judo club	10	10	XX	10	10	4	40	1
4	MAYOROV Philipp	Blue	Challenge Sports Club In		10		XX		1	10	4
5	UKHURGUNASHVILI shalva	Green	Olympic Judo Centre	10	10		10	XX	3	30	2

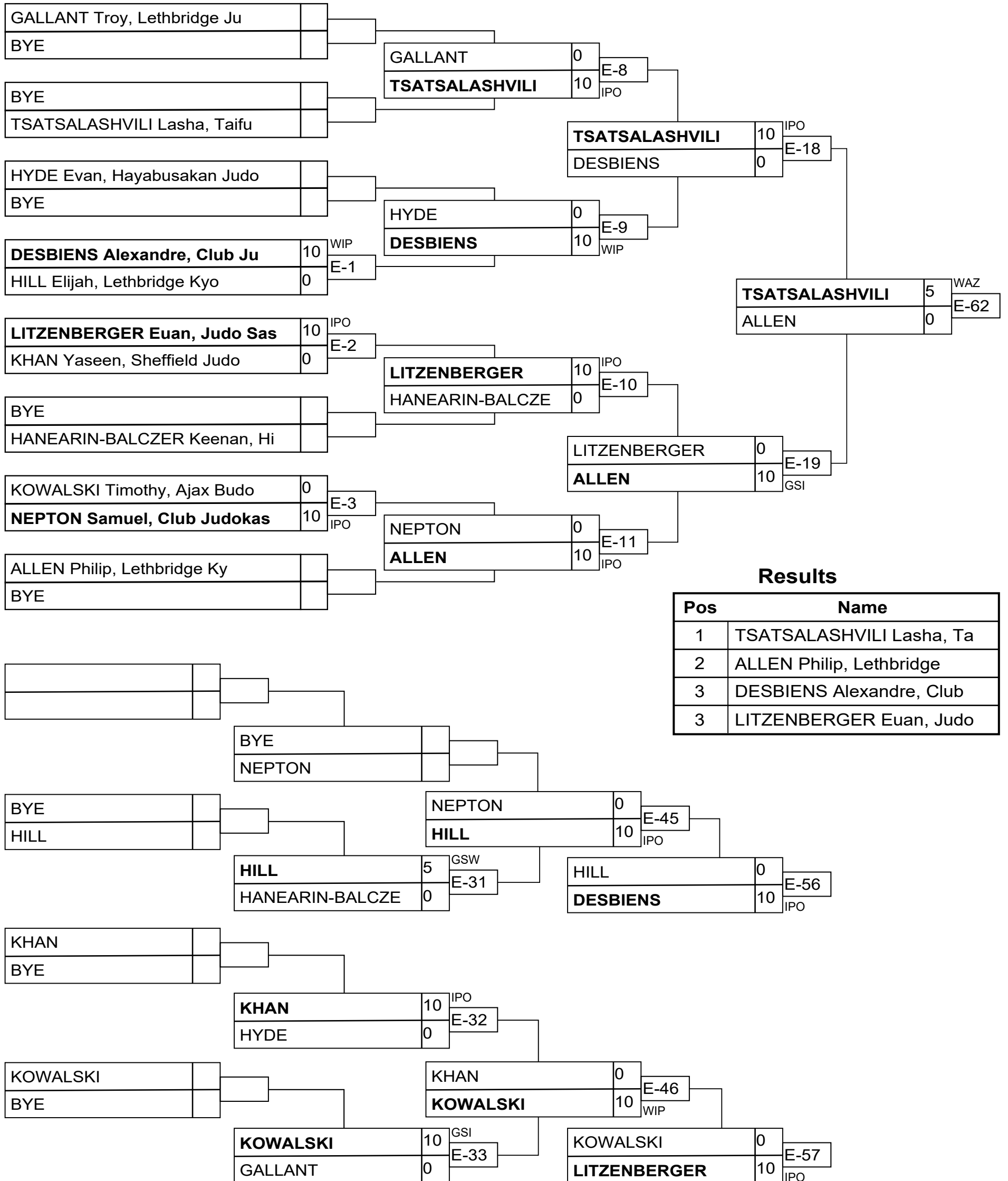
Matches

Match	White			Blue	Result	Time	Code
D-16	MAYOROV Philipp	4	5	UKHURGUNASHVILI shalva	0 - 10	1:11	WIP
D-17	BRULE Raphael	1	2	TURNER Ryan	10 - 0	1:49	IPO
D-21	DEMAERE Caleb	3	4	MAYOROV Philipp	10 - 0	1:18	IPO
D-22	BRULE Raphael	1	5	UKHURGUNASHVILI shalva	0 - 10	2:52	WIP
D-27	TURNER Ryan	2	3	DEMAERE Caleb	0 - 10	0:35	WIP
D-28	BRULE Raphael	1	4	MAYOROV Philipp	10 - 0	1:22	IPO
D-41	DEMAERE Caleb	3	5	UKHURGUNASHVILI shalva	10 - 0	3:46	GSI
D-42	TURNER Ryan	2	4	MAYOROV Philipp	0 - 10	0:48	IPO
D-52	BRULE Raphael	1	3	DEMAERE Caleb	0 - 10	0:48	IPO
D-53	TURNER Ryan	2	5	UKHURGUNASHVILI shalva	0 - 10	1:21	WIP

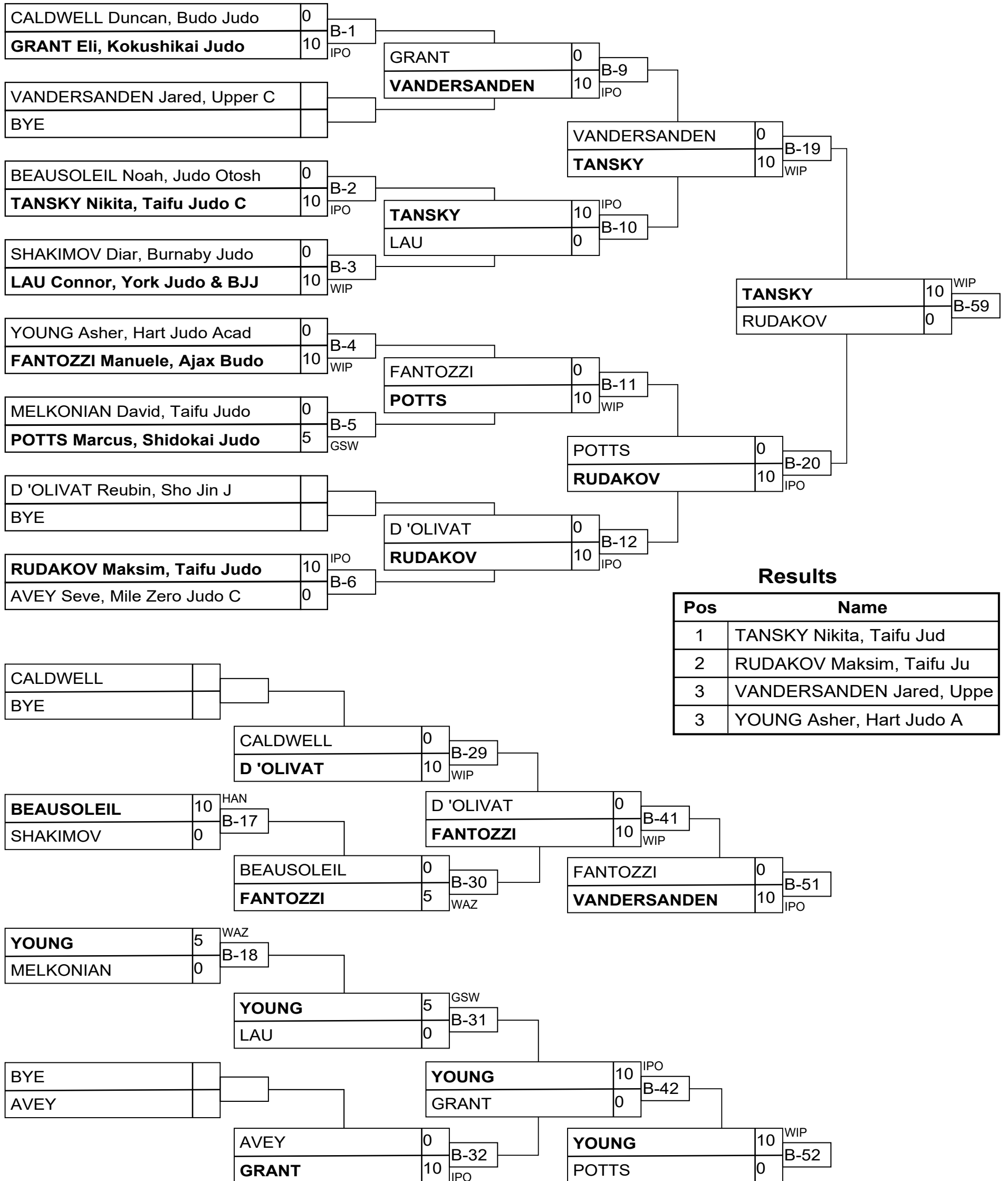
Results

Pos	Name
1	DEMAERE Caleb, lethbridge judo club
2	UKHURGUNASHVILI shalva, Olympic Judo Centre
3	BRULE Raphael, Club de judo Ghishintaido
4	MAYOROV Philipp, Challenge Sports Club Inc.

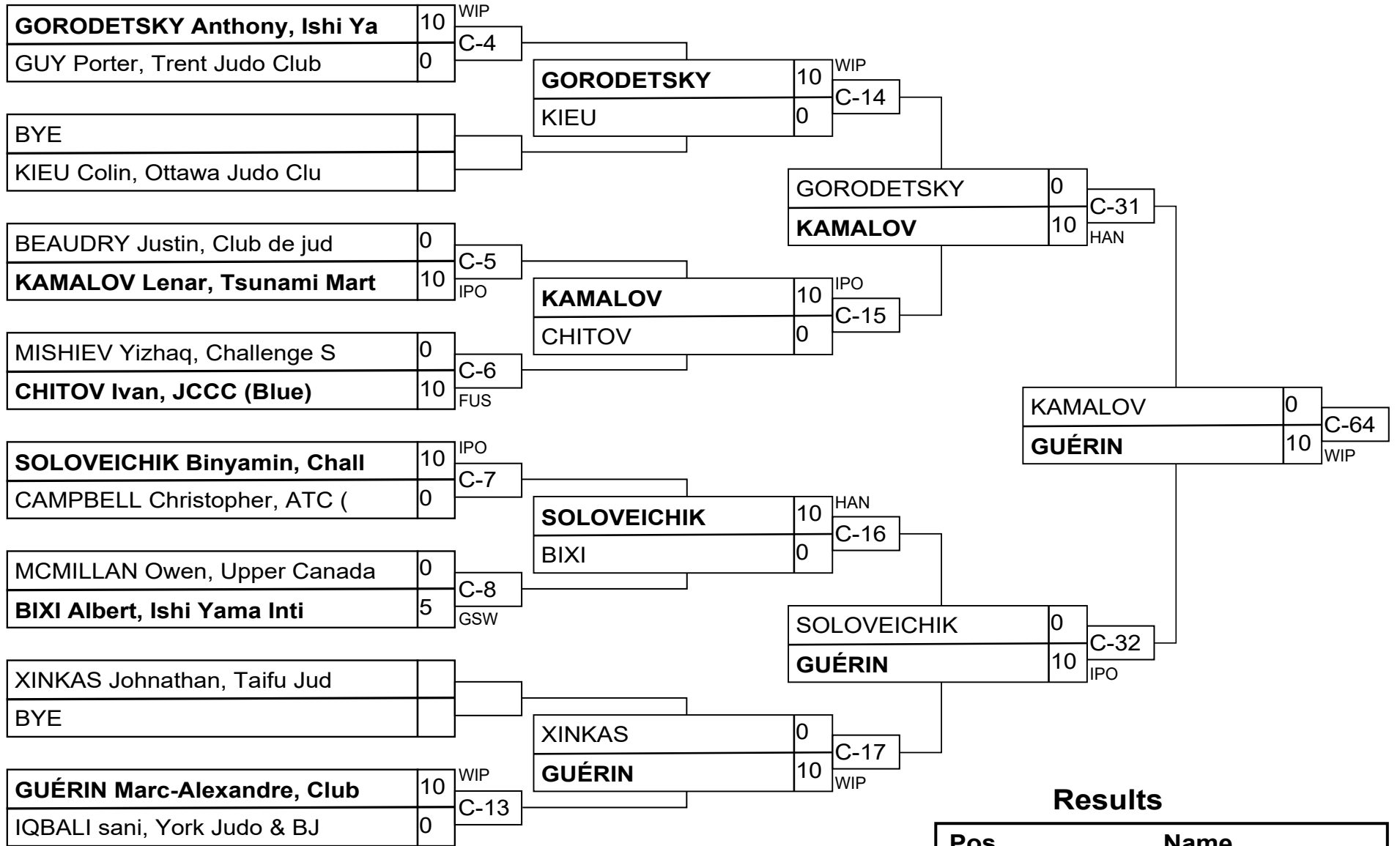
U16 Men -46kg



U16 Men -50kg

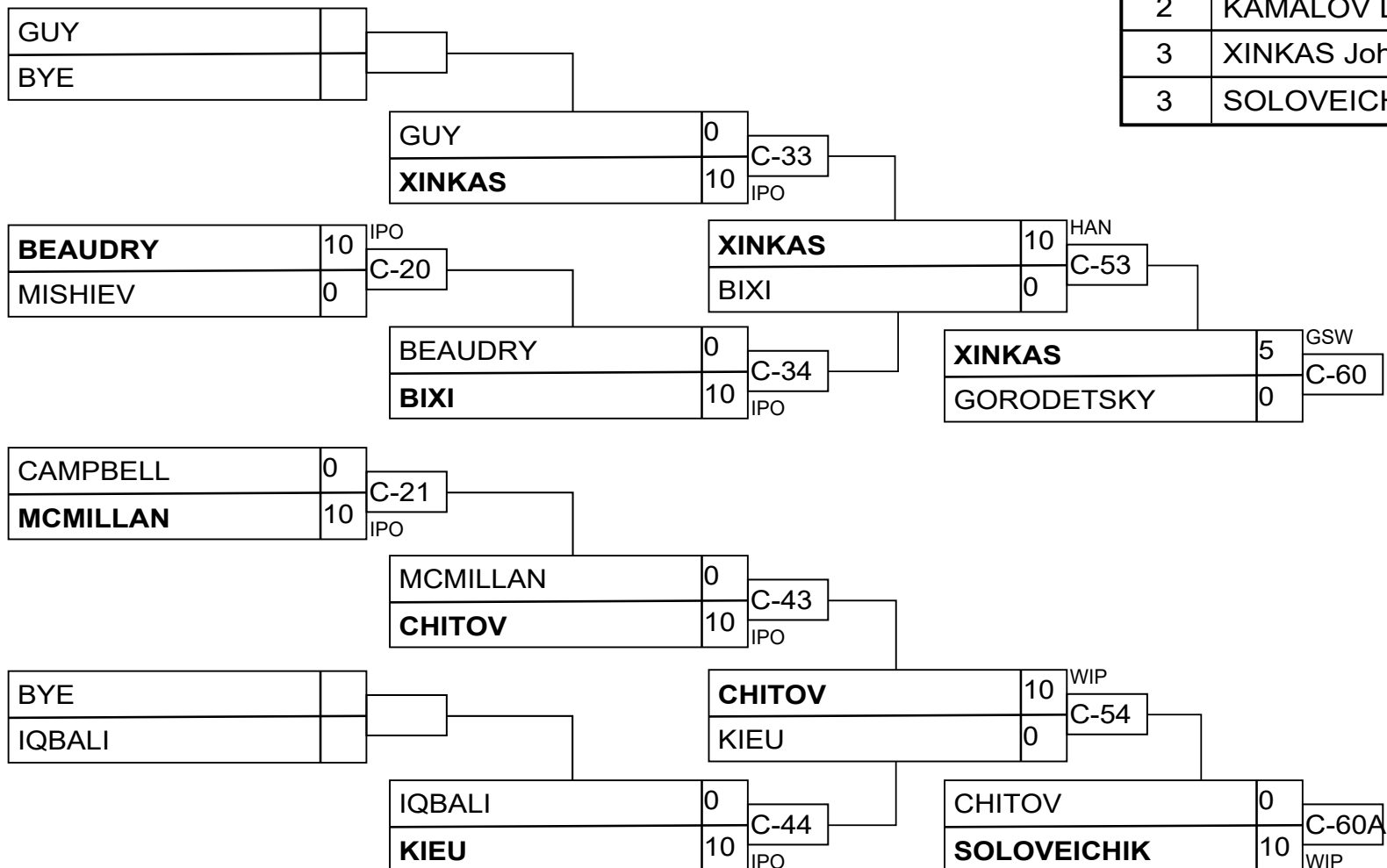


U16 Men -55kg

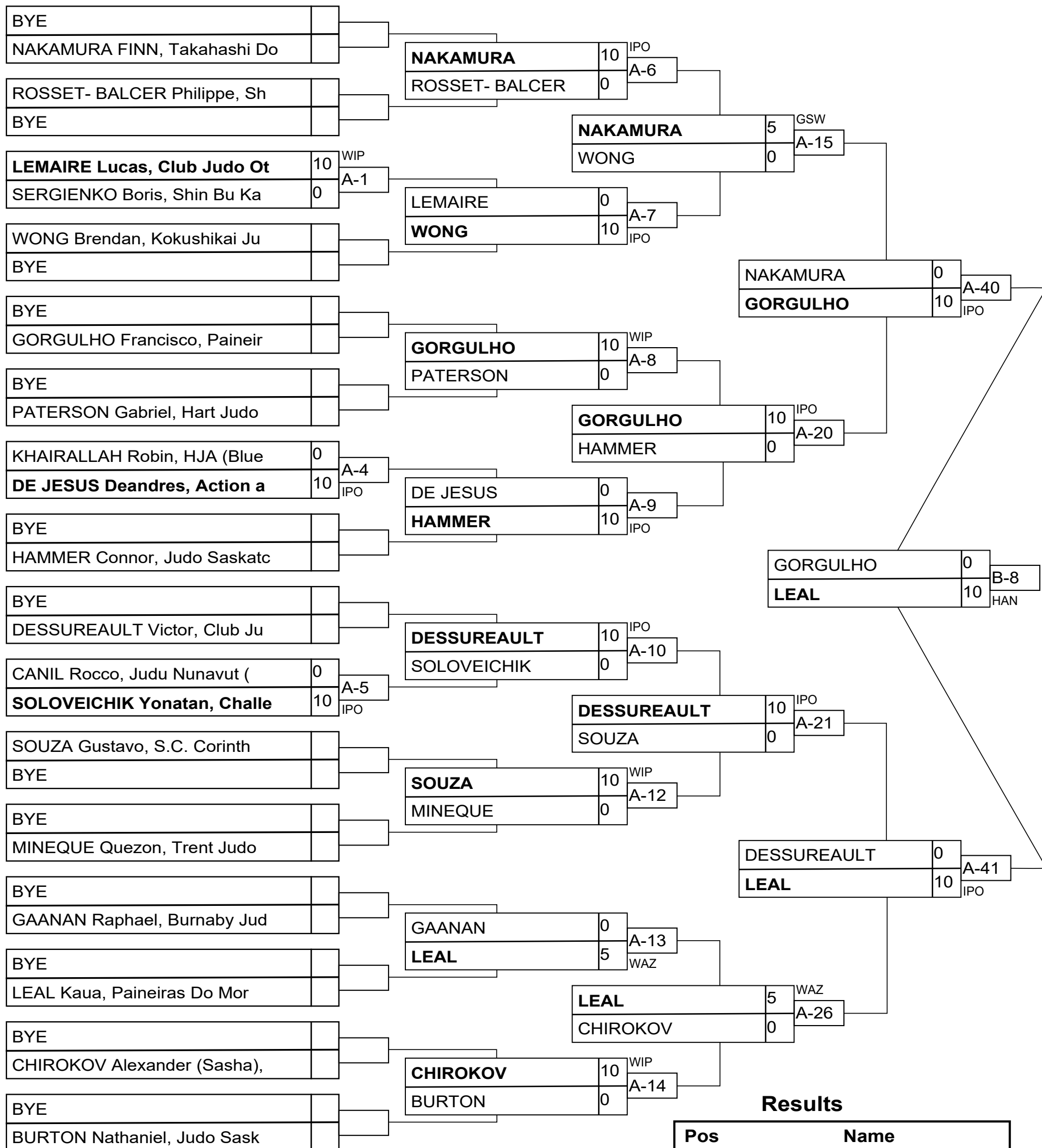


Results

Pos	Name
1	GUÉRIN Marc-Alexandre, C
2	KAMALOV Lenar, Tsunami M
3	XINKAS Johnathan, Taifu
3	SOLOVEICHIK Binyamin, Ch



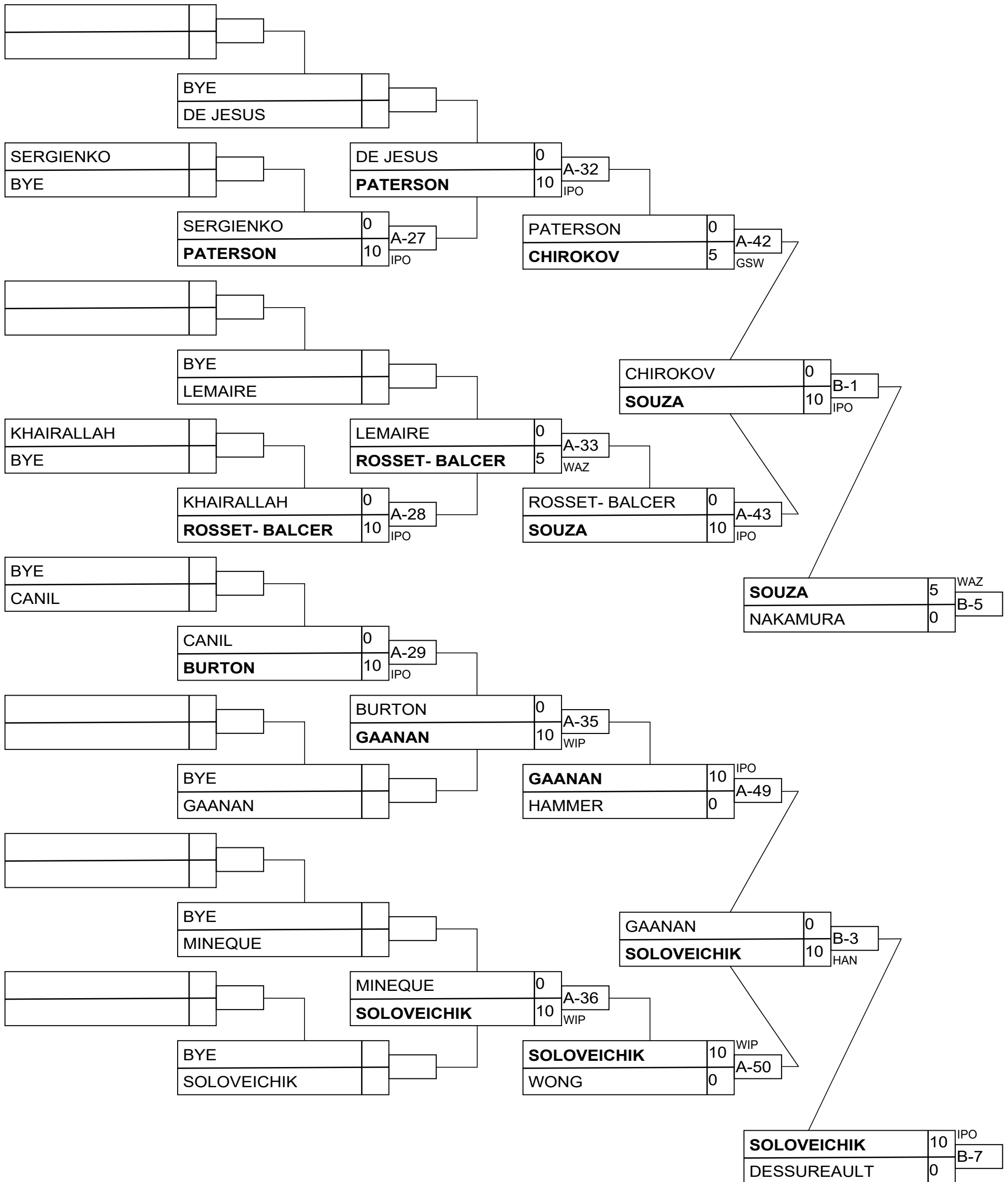
U16 Men -60kg



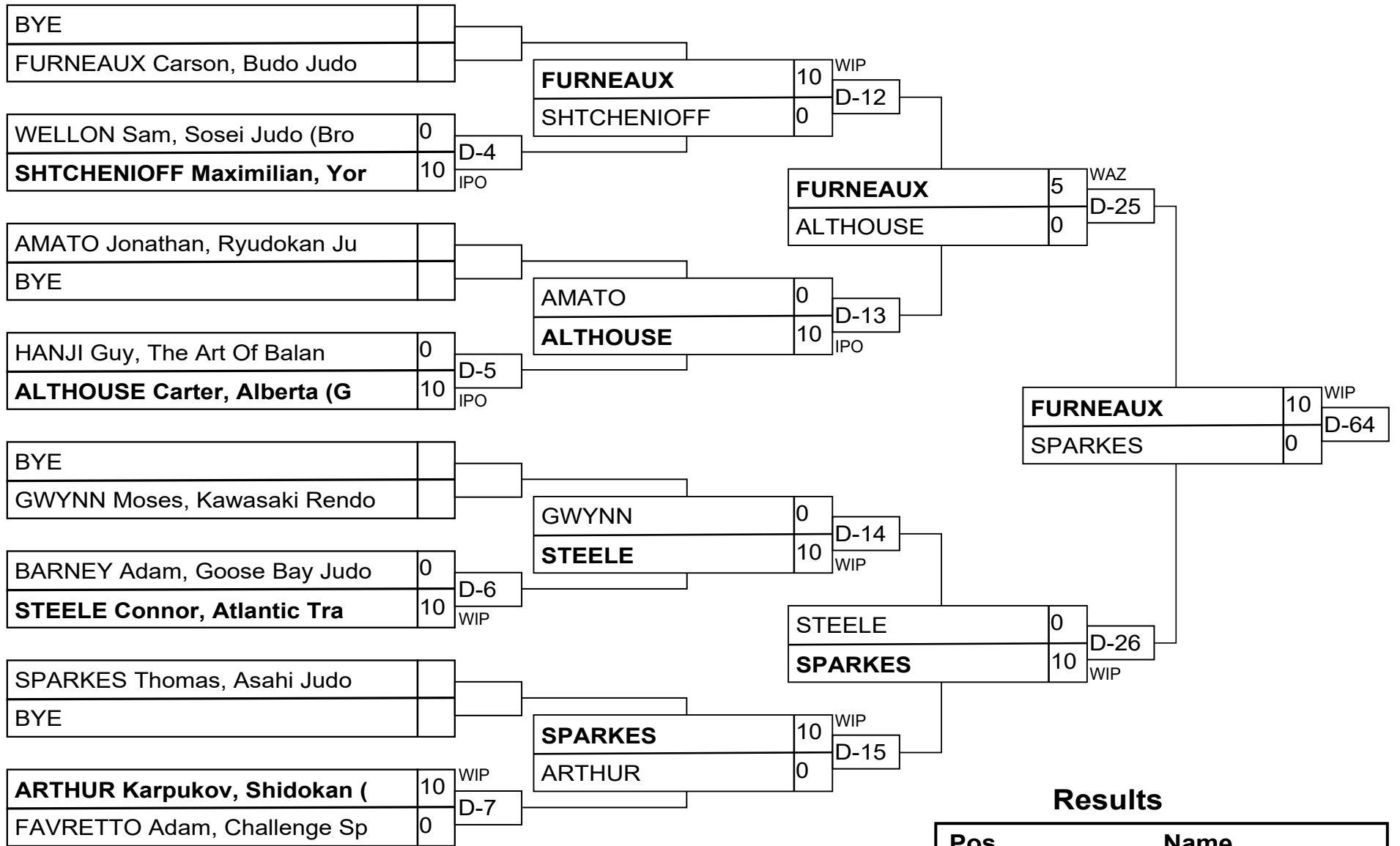
Results

Pos	Name
1	LEAL Kaua, Paineiras Do
2	GORGULHO Francisco, Pain
3	SOUZA Gustavo, S.C. Cori
3	SOLOVEICHIK Yonatan, Cha

U16 Men -60kg

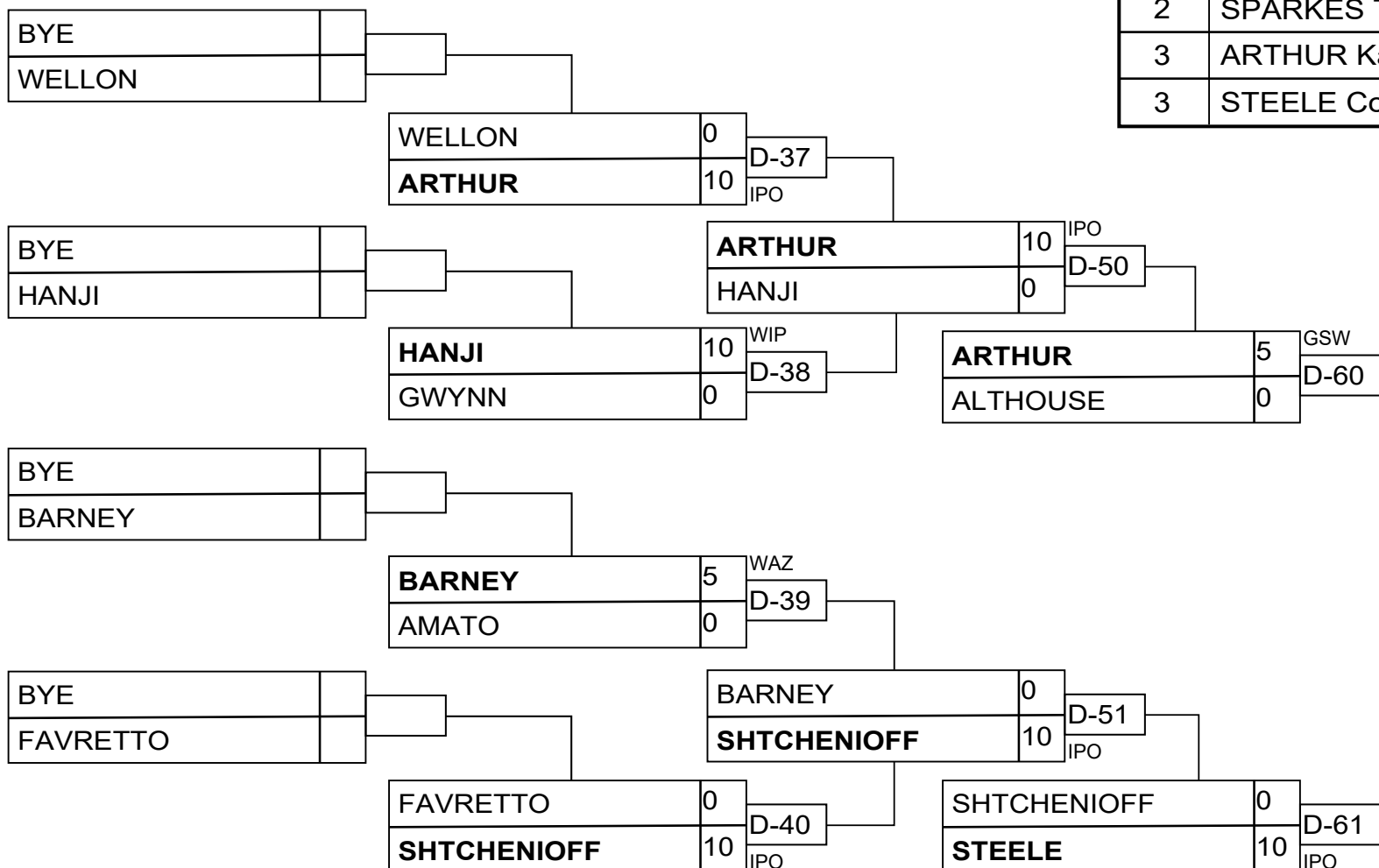


U16 Men -66kg

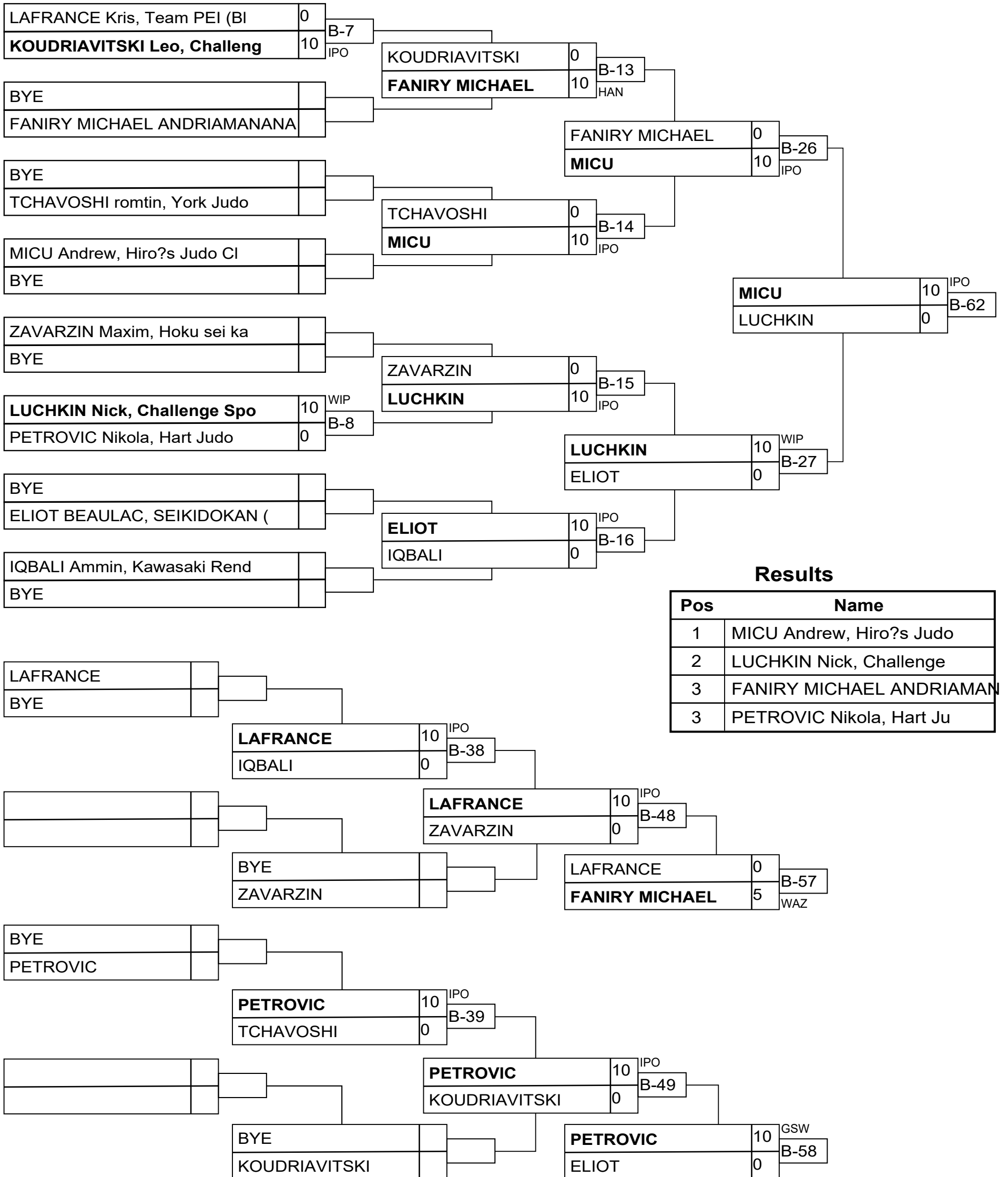


Results

Pos	Name
1	FURNEAUX Carson, Budo Ju
2	SPARKES Thomas, Asahi Ju
3	ARTHUR Karpukov, Shidoka
3	STEELE Connor, Atlantic



U16 Men -73kg



U16 Men +73kg

Competitors

#	Name	Grade	Club	1	2	3	Wins	Pts	Pos
1	POPOV Joseph	Blue	Toronto Judo Kai	XX	10		1	10	2
2	CARMAN Keaton	Green/Blue	Marathon Judo Club		XX		0	0	3
3	CROOK Shion	Blue	Hiros Judo Club	10	10	XX	2	20	1

Matches

Match	White			Blue	Result	Time	Code
B-28	POPOV Joseph	1	2	CARMAN Keaton	10 - 0	2:19	IPO
B-40	POPOV Joseph	1	3	CROOK Shion	0 - 10	0:34	IPO
B-50	CARMAN Keaton	2	3	CROOK Shion	0 - 10	0:11	IPO

Results

Pos	Name
1	CROOK Shion, Hiros Judo Club
2	POPOV Joseph, Toronto Judo Kai

U16 Women -36kg

Competitors

#	Name	Grade	Club	1	Wins	Pts	Pos
1	KAUTZ Seraphine	Green	Tsunami Martial Arts Clu	XX	0	0	1

Matches

Match	White	Blue	Result	Time	Code
-------	-------	------	--------	------	------

Results

Pos	Name

U16 Women -40kg

Competitors

#	Name	Grade	Club	1	2	1	2	1	2	Wins	Pts	Pos
1	IWAASA Brynn	Green	Lethbridge Kyodokan Judo	XX	10	XX	10	XX		2	20	1
2	DANILKOV Ekaterina	Blue	Burnaby Judo Club		XX		XX		XX	0	0	2

Matches

Match	White			Blue	Result	Time	Code
C-24	IWAASA Brynn	1	2	DANILKOV Ekaterina	10 - 0	0:49	IPO
C-37	DANILKOV Ekaterina	2	1	IWAASA Brynn	0 - 10	0:46	IPO
C-47	IWAASA Brynn	1	2	DANILKOV Ekaterina			

Results

Pos	Name
1	IWAASA Brynn, Lethbridge Kyodokan Judo Club

U16 Women -44kg

Competitors A

#	Name	Grade	Club	1	2	3	4	Wins	Pts	Pos
1	LAPOINTE Sophie	Blue/Brown	Judokan Port-Cartier	XX	10		10	2	20	2
2	CONDRA Jenna	Green	Prince Edward Island		XX			0	0	4
3	LUTAKA Luisa	Green	Paineiras Do Morumby	10	10	XX	10	3	30	1
4	MCCRISTALL Angelina	Blue	Upper Canada		10		XX	1	10	3

Matches A

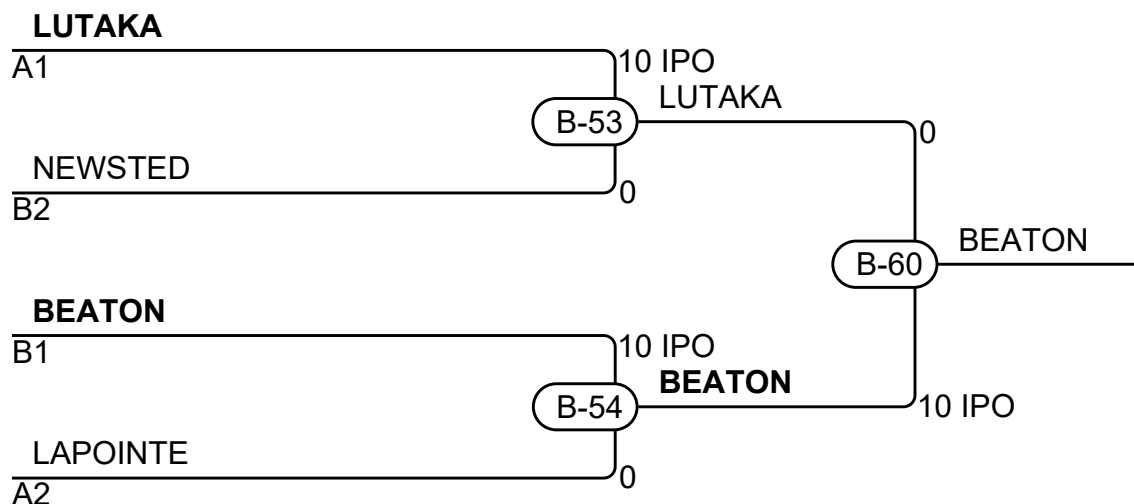
Match	White	Blue	Result	Time	Code
B-21	LAPOINTE Sophie 1 2	CONDRA Jenna	10 - 0	2:00	WIP
B-22	LUTAKA Luisa 3 4	MCCRISTALL Angelina	10 - 0	0:16	IPO
B-33	LAPOINTE Sophie 1 3	LUTAKA Luisa	0 - 10	2:15	WIP
B-34	CONDRA Jenna 2 4	MCCRISTALL Angelina	0 - 10	0:13	IPO
B-43	LAPOINTE Sophie 1 4	MCCRISTALL Angelina	10 - 0	4:12	HAN
B-44	CONDRA Jenna 2 3	LUTAKA Luisa	0 - 10	0:26	IPO

Competitors B

#	Name	Grade	Club	5	6	7	Wins	Pts	Pos
5	ENMAN Lydia	Blue/Brown	Team PEI	XX			0	0	3
6	NEWSTED Devrie	Green	Judo Saskatchewan	10	XX		1	10	2
7	BEATON Evelyn	Blue	Judo Alberta	10	10	XX	2	20	1

Matches B

Match	White	Blue	Result	Time	Code
B-23	ENMAN Lydia 5 6	NEWSTED Devrie	0 - 10	3:46	GSI
B-35	ENMAN Lydia 5 7	BEATON Evelyn	0 - 10	0:34	IPO
B-45	NEWSTED Devrie 6 7	BEATON Evelyn	0 - 10	0:51	IPO



Results

Pos	Name
1	BEATON Evelyn, Judo Alberta
2	LUTAKA Luisa, Paineiras Do Morumby
3	NEWSTED Devrie, Judo Saskatchewan
3	LAPOINTE Sophie, Judokan Port-Cartier

U16 Women -48kg

Competitors A

#	Name	Grade	Club	1	2	3	4	Wins	Pts	Pos
1	SHIMABUKURO Alyssa	Green	Shin Bu Kan (Mississauga)	XX	10			1	10	3
2	SHEEHAN Olivia	Blue	Campbell River Judo Club		XX			0	0	4
3	MEDILO CHARLIZE ISABELLE	Green	JUDO ALBERTA	10	10	XX	10	3	30	1
4	SIMARD-LEJUENE mathilde	Blue	seiko	10	10		XX	2	20	2

Matches A

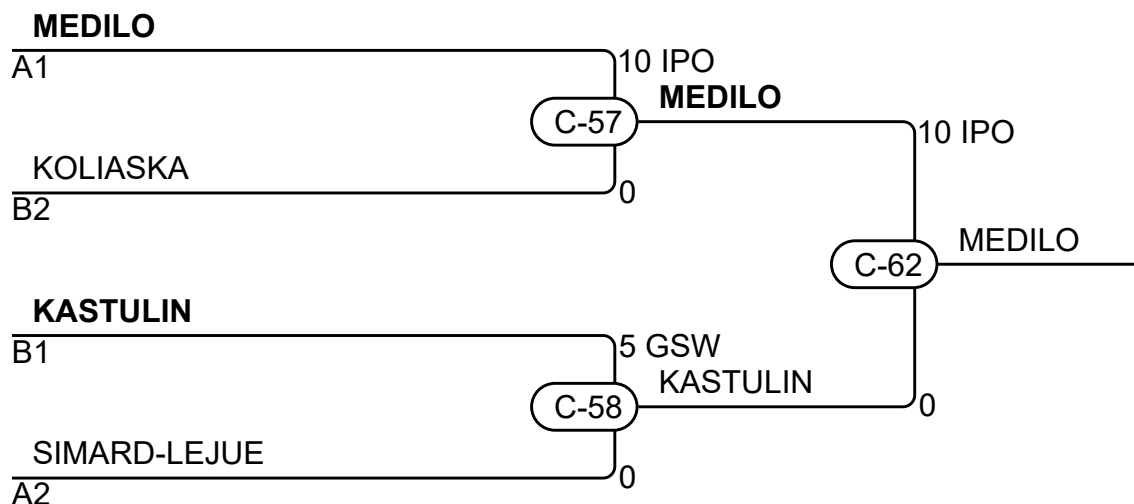
Match	White	Blue	Result	Time	Code
C-25	SHIMABUKURO Alyssa 1 2	SHEEHAN Olivia	10 - 0	1:02	WIP
C-26	MEDILO CHARLIZE ISABELLE 3 4	SIMARD-LEJUENE mathilde	10 - 0	0:55	IPO
C-38	SHIMABUKURO Alyssa 1 3	MEDILO CHARLIZE ISABELLE	0 - 10	0:10	IPO
C-39	SHEEHAN Olivia 2 4	SIMARD-LEJUENE mathilde	0 - 10	1:05	IPO
C-48	SHIMABUKURO Alyssa 1 4	SIMARD-LEJUENE mathilde	0 - 10	2:35	WIP
C-49	SHEEHAN Olivia 2 3	MEDILO CHARLIZE ISABELLE	0 - 10	0:52	IPO

Competitors B

#	Name	Grade	Club	5	6	7	Wins	Pts	Pos
5	KASTULIN Veronica	Brown	Challenge Sports Club In	XX	10	10	2	20	1
6	SAVOIE Mahée	Blue	Otoshi Judo Club		XX		0	0	3
7	KOLIASKA Aliya	Green	Lethbridge		10	XX	1	10	2

Matches B

Match	White	Blue	Result	Time	Code
C-27	KASTULIN Veronica 5 6	SAVOIE Mahée	10 - 0	1:02	WIP
C-40	KASTULIN Veronica 5 7	KOLIASKA Aliya	10 - 0	0:10	IPO
C-50	SAVOIE Mahée 6 7	KOLIASKA Aliya	0 - 10	2:42	HAN



Results

Pos	Name
1	MEDILO CHARLIZE ISABELLE, JUDO ALBERTA
2	KASTULIN Veronica, Challenge Sports Club Inc.
3	KOLIASKA Aliya, Lethbridge
3	SIMARD-LEJUENE mathilde, seiko

U16 Women -52kg

Competitors A

#	Name	Grade	Club	1	2	3	4	Wins	Pts	Pos
1	FRANSON Brooklyn	Green	Judo Saskatchewan	XX	10		10	2	20	2
2	MORRISON Mckinna	Blue	Ishi Yama		XX		10	1	10	3
3	KO Hailey	Blue	Burnaby Judo Club	10	10	XX	10	3	30	1
4	BAN Madeleine	Green	York Judo & BJJ				XX	0	0	4

Matches A

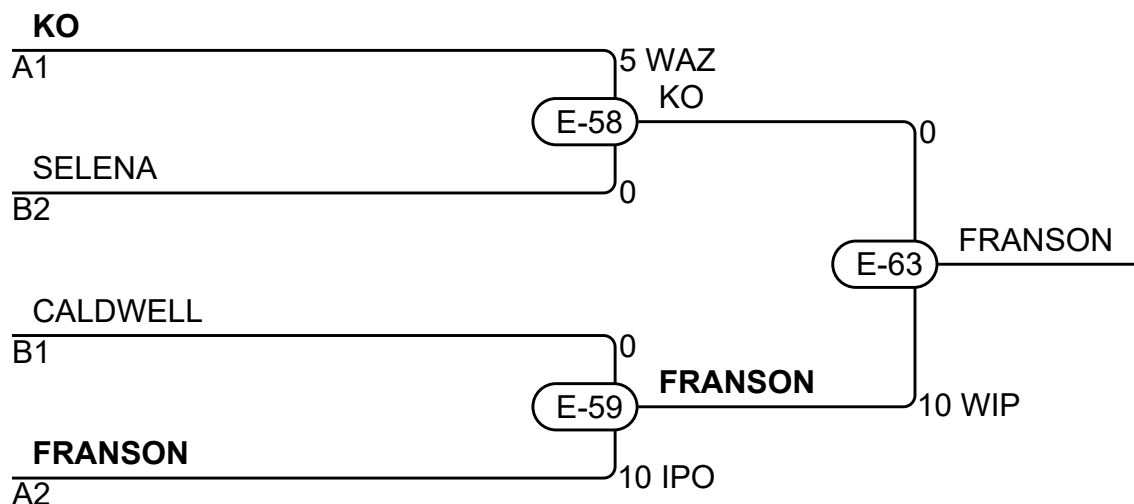
Match	White	Blue	Result	Time	Code
E-20	FRANSON Brooklyn 1 2	MORRISON Mckinna	10 - 0	1:07	WIP
E-21	KO Hailey 3 4	BAN Madeleine	10 - 0	0:51	WIP
E-34	FRANSON Brooklyn 1 3	KO Hailey	0 - 10	1:13	WIP
E-35	MORRISON Mckinna 2 4	BAN Madeleine	10 - 0	1:01	IPO
E-47	FRANSON Brooklyn 1 4	BAN Madeleine	10 - 0	0:23	IPO
E-48	MORRISON Mckinna 2 3	KO Hailey	0 - 10	1:51	WIP

Competitors B

#	Name	Grade	Club	5	6	7	Wins	Pts	Pos
5	CALDWELL Rylie	Green	Judo Alberta	XX	10	10	2	20	1
6	KEEFE Lilly	Blue	Team PEI		XX		0	0	3
7	SELENA NOCEDO DUFOUR	Green	SEIKIDOKAN		10	XX	1	10	2

Matches B

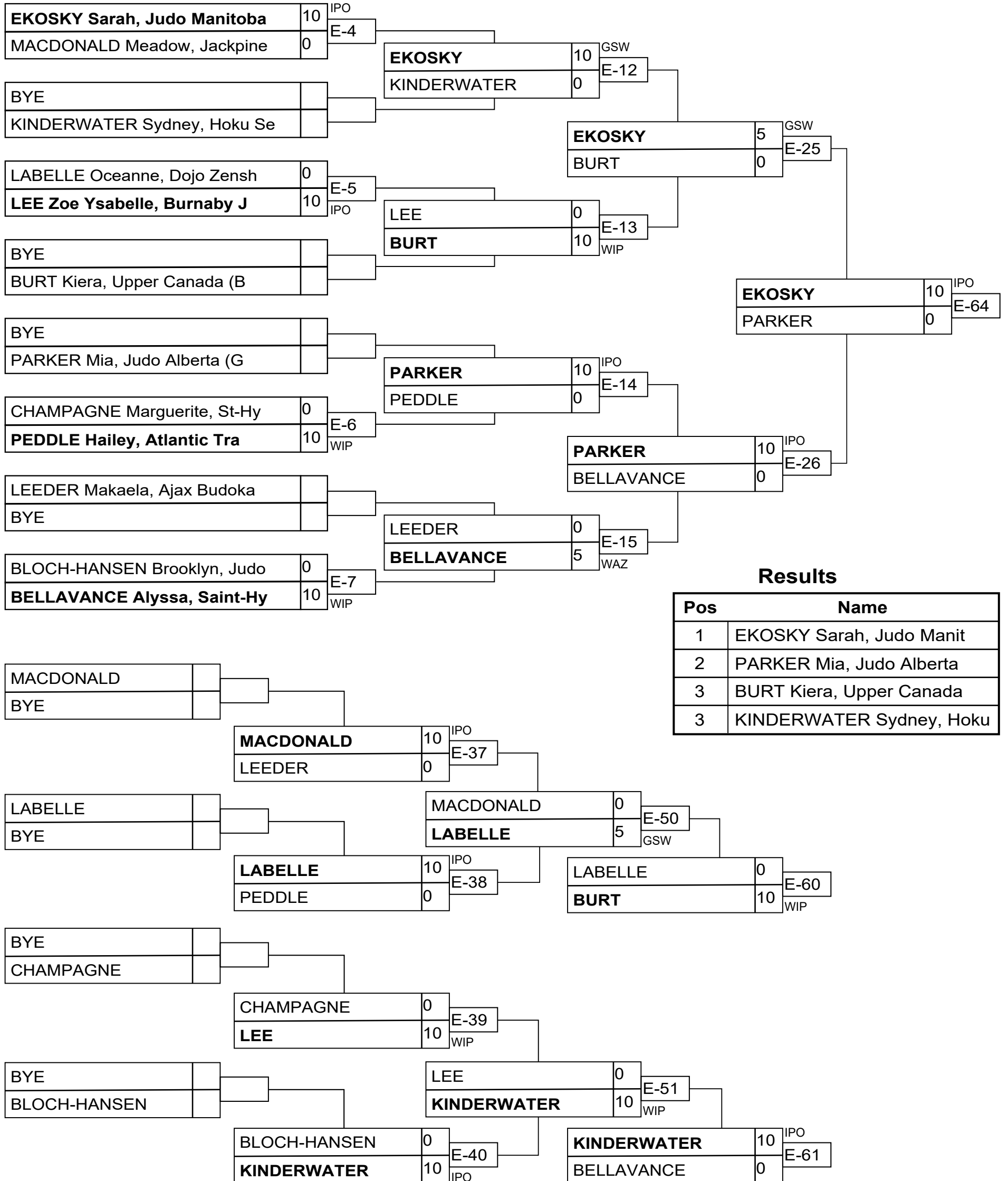
Match	White	Blue	Result	Time	Code
E-24	CALDWELL Rylie 5 6	KEEFE Lilly	10 - 0	1:23	IPO
E-36	CALDWELL Rylie 5 7	SELENA NOCEDO DUFOUR	10 - 0	4:03	GSW
E-49	KEEFE Lilly 6 7	SELENA NOCEDO DUFOUR	0 - 10	2:55	IPO



Results

Pos	Name
1	FRANSON Brooklyn, Judo Saskatchewan
2	KO Hailey, Burnaby Judo Club
3	SELENA NOCEDO DUFOUR, SEIKIDOKAN
3	CALDWELL Rylie, Judo Alberta

U16 Women -57kg



U16 Women -63kg

Competitors A

#	Name	Grade	Club	1	2	3	Wins	Pts	Pos
1	FRANSON Desiree	Green	Judo Saskatchewan	XX			0	0	3
2	CAINES Shannon	Blue	Halifax judo academy	10	XX		1	10	2
3	MCCORKELL Loveena	Blue	Mile Zero Judo Club	5	10	XX	2	15	1

Matches A

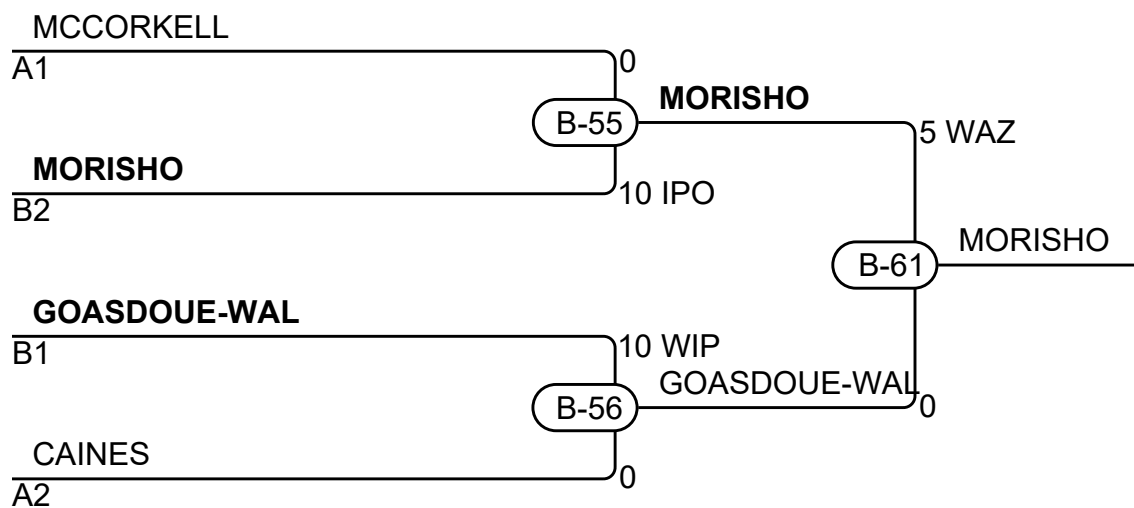
Match	White	Blue	Result	Time	Code
B-24	FRANSON Desiree 1 2	CAINES Shannon	0 - 10	1:25	IPO
B-36	FRANSON Desiree 1 3	MCCORKELL Loveena	0 - 5	3:00	WAZ
B-46	CAINES Shannon 2 3	MCCORKELL Loveena	0 - 10	0:13	IPO

Competitors B

#	Name	Grade	Club	4	5	6	Wins	Pts	Pos
4	VILLA Rebecca	Blue	Judo Manitoba	XX			0	0	3
5	MORISHO Nyota	Blue	Victoria Judo Club	10	XX		1	10	2
6	GOASDOUE-WALLACE Greta	Brown	Hiro's Judo Club	10	10	XX	2	20	1

Matches B

Match	White	Blue	Result	Time	Code
B-25	VILLA Rebecca 4 5	MORISHO Nyota	0 - 10	1:16	IPO
B-37	VILLA Rebecca 4 6	GOASDOUE-WALLACE Greta	0 - 10	0:45	IPO
B-47	MORISHO Nyota 5 6	GOASDOUE-WALLACE Greta	0 - 10	2:40	IPO



Results

Pos	Name
1	MORISHO Nyota, Victoria Judo Club
2	GOASDOUE-WALLACE Greta, Hiro's Judo Club
3	MCCORKELL Loveena, Mile Zero Judo Club
3	CAINES Shannon, Halifax judo academy

U16 Women -70kg

Competitors

#	Name	Grade	Club	1	Wins	Pts	Pos
1	SEITZ Mattea	Green	Hoku Sei Kan	XX	0	0	1

Matches

Match	White	Blue	Result	Time	Code
-------	-------	------	--------	------	------

Results

Pos	Name

U16 Women +70kg

Competitors

#	Name	Grade	Club	1	Wins	Pts	Pos
1	DOUGLAS Asia	Brown	Toronto Judo Kai	XX	0	0	1

Matches

Match	White	Blue	Result	Time	Code
-------	-------	------	--------	------	------

Results

Pos	Name