

# Senior Ne Waza Men -100kg

## Competitors/Compétiteurs A

#	Name/Nom	Grade	Club	1	2	3	W/G	Pts	Pos
1	SANTOS Rogerio	nidan	Club de Judo Maua-Bresil	XX	10	10	2	20	1
2	BAILEY Leon	blue	Porcupine Judo Club		XX	10	1	10	2
3	VELEZ Eric	blue	JCCC Judo Kai			XX	0	0	3

## Matches/Matches A

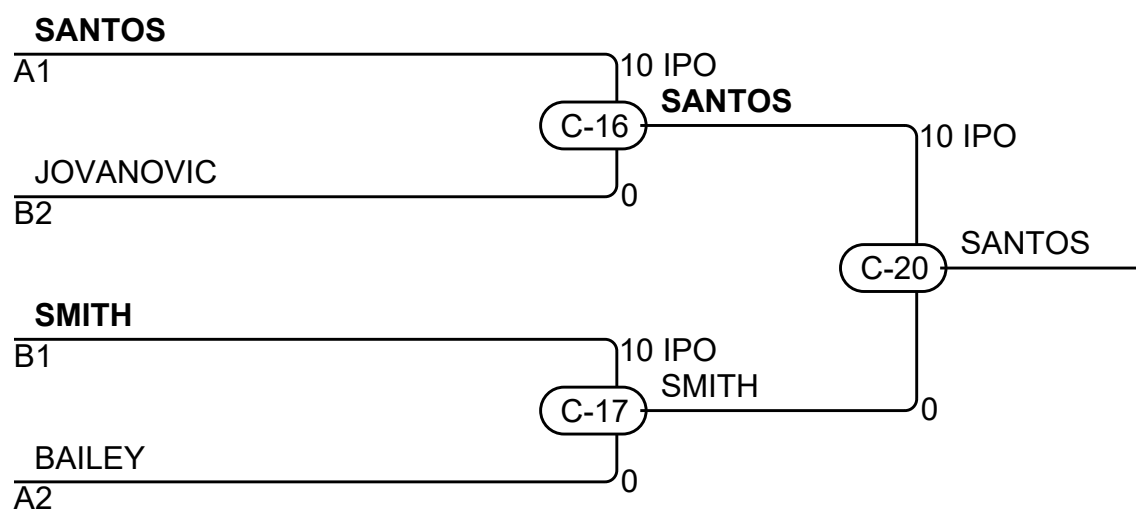
Match	White/Blanc			Blue/Bleu	Res/Rés	Tim/Tmp	Code
C-3	<b>SANTOS Rogerio</b>	1	2	BAILEY Leon	10 - 0	2:43	IPO
C-6	<b>SANTOS Rogerio</b>	1	3	VELEZ Eric	10 - 0	0:59	IPO
C-11	<b>BAILEY Leon</b>	2	3	VELEZ Eric	10 - 0	2:04	IPO

## Competitors/Compétiteurs B

#	Name/Nom	Grade	Club	4	5	6	W/G	Pts	Pos
4	JOVANOVIC Nebojsa	blue	University of Toronto Judo Club	XX	10		1	10	2
5	PRENTICE Iain	green	SHOJIN		XX		0	0	3
6	SMITH Jacob	nidan	Tora Judo Club	10	10	XX	2	20	1

## Matches/Matches B

Match	White/Blanc			Blue/Bleu	Res/Rés	Tim/Tmp	Code
C-4	<b>JOVANOVIC Nebojsa</b>	4	5	PRENTICE Iain	10 - 0	4:46	GSI
C-7	JOVANOVIC Nebojsa	4	6	<b>SMITH Jacob</b>	0 - 10	0:38	IPO
C-12	PRENTICE Iain	5	6	<b>SMITH Jacob</b>	0 - 10	1:53	IPO



## Results/Résultats

Pos	Name/Nom
1	SANTOS Rogerio, Club de Judo Maua-Bresil
2	SMITH Jacob, Tora Judo Club
3	JOVANOVIC Nebojsa, University of Toronto Judo Clu
3	BAILEY Leon, Porcupine Judo Club

# Senior Ne Waza Women +70kg

## Competitors/Compétiteurs

#	Name/Nom	Grade	Club	1	2	1	2	1	2	W/G	Pts	Pos
1	MCALPINE Amanda	brown	Kohbukan Sisu Judo Jiu-Jitsu	XX	5	XX		XX		1	5	2
2	CHEVALIER Anne-Laurence	shodan	Hayabusakan Judo		XX	1	XX	5	XX	2	6	1

## Matches/Matches

Match	White/Blanc			Blue/Bleu	Res/Rés	Tim/Tmp	Code
C-5	<b>MCALPINE Amanda</b>	1	2	CHEVALIER Anne-Laurence	5 - 0	4:21	GSW
C-10	<b>CHEVALIER Anne-Laurence</b>	2	1	MCALPINE Amanda	1 - 0	3:57	GSD
C-15	MCALPINE Amanda	1	2	<b>CHEVALIER Anne-Laurence</b>	0 - 5	3:00	WAZ

## Results/Résultats

Pos	Name/Nom
1	CHEVALIER Anne-Laurence, Hayabusakan Judo
2	MCALPINE Amanda, Kohbukan Sisu Judo Jiu-Jitsu C

# Senior Ne Waza Women -52kg

## Competitors/Compétiteurs

#	Name/Nom	Grade	Club	1	2	3	W/G	Pts	Pos
1	SHEFFIELD Lea	nidan	Sheffield Judo Club	XX	10		1	10	2
2	TIE Monique	blue	University of Toronto Judo Clu		XX		0	0	3
3	NGUYEN Jennifer	shodan	Judo Manitoba	10	10	XX	2	20	1

## Matches/Matches

Match	White/Blanc			Blue/Bleu	Res/Rés	Tim/Tmp	Code
B-7	<b>SHEFFIELD Lea</b>	1	2	TIE Monique	10 - 0	1:46	IPO
B-9	SHEFFIELD Lea	1	3	<b>NGUYEN Jennifer</b>	0 - 10	1:08	IPO
B-13	TIE Monique	2	3	<b>NGUYEN Jennifer</b>	0 - 10	1:22	IPO

## Results/Résultats

Pos	Name/Nom
1	NGUYEN Jennifer, Judo Manitoba
2	SHEFFIELD Lea, Sheffield Judo Club

# Senior Ne Waza Women -70kg

## Competitors/Compétiteurs

#	Name/Nom	Grade	Club	1	W/G	Pts	Pos
1	LAU Rhiannon	brown	York Judo & BJJ	XX	0	0	1

## Matches/Matches

Match	White/Blanc	Blue/Bleu	Res/Rés	Tim/Tmp	Code
-------	-------------	-----------	---------	---------	------

## Results/Résultats

Pos	Name/Nom

# Senior Ne Waza Men +100kg

## Competitors/Compétiteurs

#	Name/Nom	Grade	Club	1	2	1	2	1	2	W/G	Pts	Pos
1	WILSON MARK	shodan	Tora Judo Club	XX		XX		XX		0	0	2
2	MUIRHEAD Chris	shodan	Huntsville Judo Club	5	XX	10	XX		XX	2	15	1

## Matches/Matches

Match	White/Blanc			Blue/Bleu	Res/Rés	Tim/Tmp	Code
B-8	WILSON MARK	1	2	MUIRHEAD Chris	0 - 5	4:00	WAZ
B-10	MUIRHEAD Chris	2	1	WILSON MARK	10 - 0	3:51	IPO
B-14	WILSON MARK	1	2	MUIRHEAD Chris			

## Results/Résultats

Pos	Name/Nom
1	MUIRHEAD Chris, Huntsville Judo Club

# Senior Ne Waza Men -66kg

## Competitors/Compétiteurs A

#	Name/Nom	Grade	Club	1	2	3	W/G	Pts	Pos
1	PESTOV Alexandre	brown	JCCC Judo Kai	XX	10	10	2	20	1
2	FOGAN William	brown	Kawasaki Rendokan Judo Academy	XX	10		1	10	2
3	KWAN Raymond	blue	Scarborough Dojo			XX	0	0	3

## Matches/Matches A

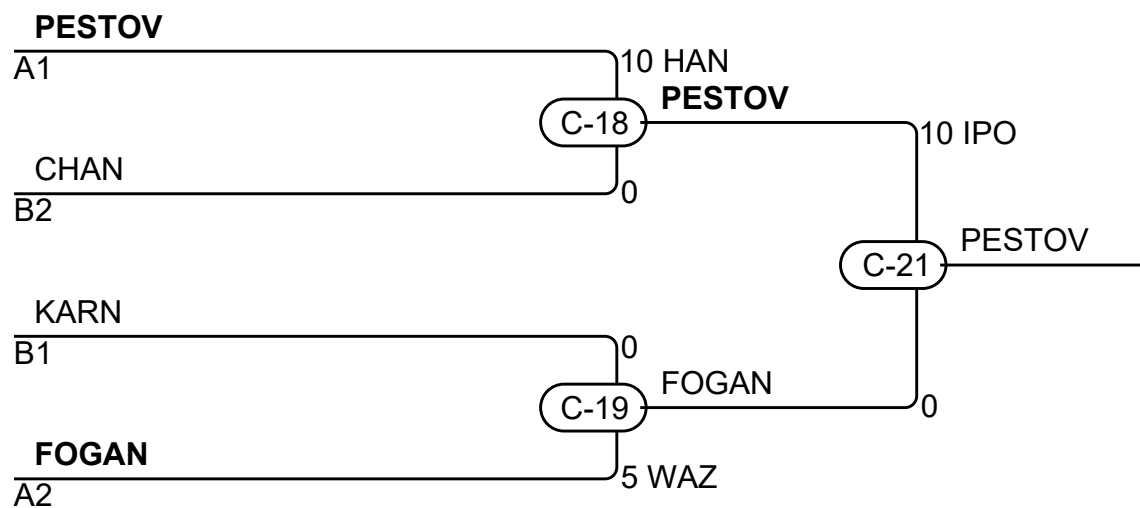
Match	White/Blanc	Blue/Bleu	Res/Rés	Tim/Tmp	Code
C-1	PESTOV Alexandre	1 2 FOGAN William	10 - 0	1:15	IPO
C-8	PESTOV Alexandre	1 3 KWAN Raymond	10 - 0	1:25	IPO
C-13	FOGAN William	2 3 KWAN Raymond	10 - 0	0:30	IPO

## Competitors/Compétiteurs B

#	Name/Nom	Grade	Club	4	5	6	W/G	Pts	Pos
4	RAJARAM Akshay	brown	Shin Bu Kan (Mississauga Judo)	XX			0	0	3
5	KARN Justin	nidan	SHIDOKAN	10	XX	10	2	20	1
6	CHAN Russell	brown	Scarborough Dojo	10		XX	1	10	2

## Matches/Matches B

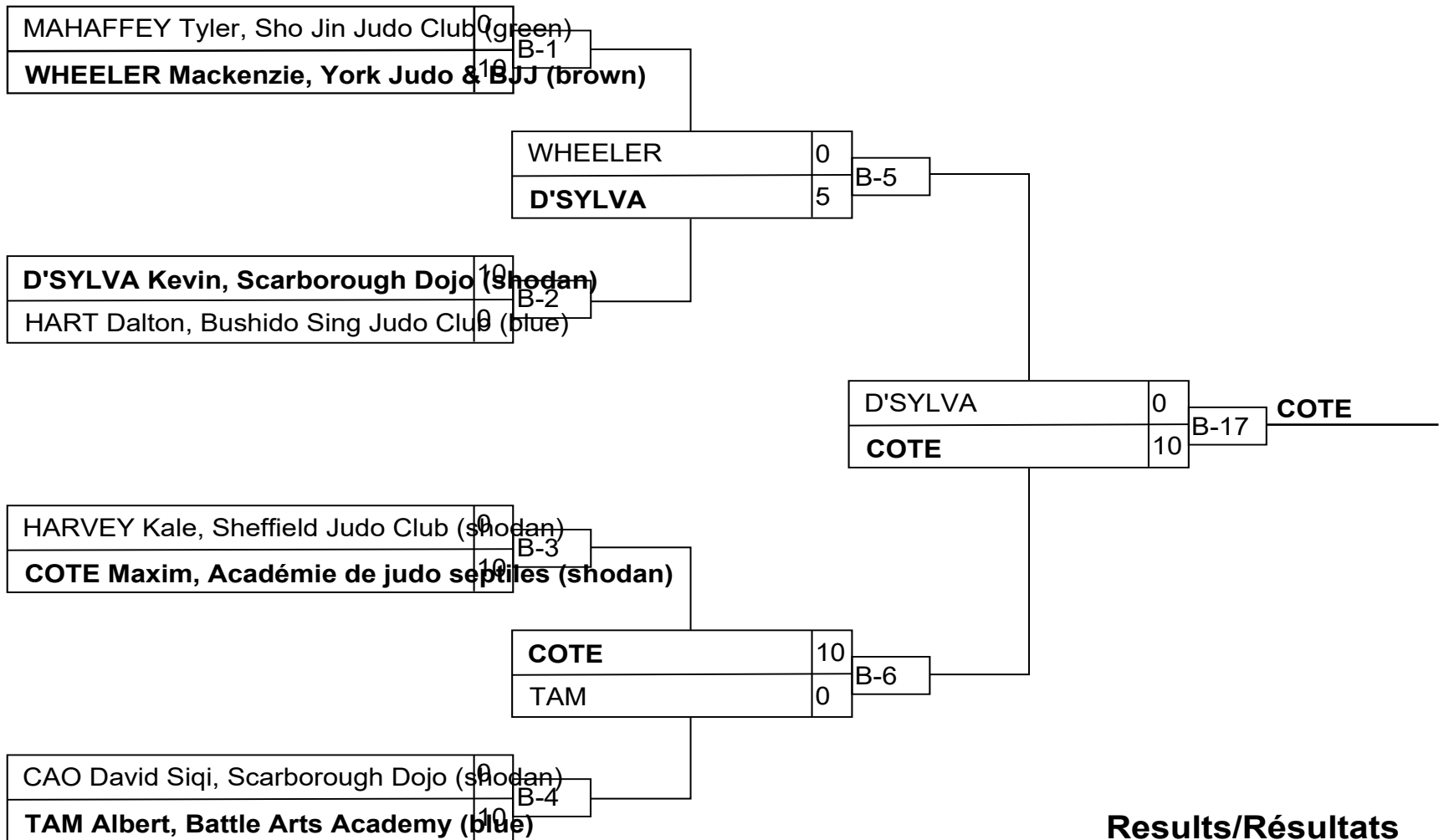
Match	White/Blanc	Blue/Bleu	Res/Rés	Tim/Tmp	Code
C-2	RAJARAM Akshay	4 5 KARN Justin	0 - 10	2:12	IPO
C-9	RAJARAM Akshay	4 6 CHAN Russell	0 - 10	2:20	IPO
C-14	KARN Justin	5 6 CHAN Russell	10 - 0	0:35	IPO



## Results/Résultats

Pos	Name/Nom
1	PESTOV Alexandre, JCCC Judo Kai
2	FOGAN William, Kawasaki Rendokan Judo Academy
3	CHAN Russell, Scarborough Dojo
3	KARN Justin, SHIDOKAN

# Senior Ne Waza Men -81kg



## Results/Résultats

Pos	Name/Nom
1	COTE Maxim, Académie de judo septiles
2	D'SYLVA Kevin, Scarborough Dojo (Shodan)
3	HARVEY Kale, Sheffield Judo Club (Shodan)
3	TAM Albert, Battle Arts Academy (blue)

