

U12 Men -27kg

Competitors/Compétiteurs

| # | Name/Nom | Club | 1 | 2 | 3 | 4 | 5 | W/G | Pts | Pos |
|---|------------------|--------------------------------|----|----|----|----|----|-----|-----|-----|
| 1 | ROITMAN Arel | Taifu Judo Club | XX | 10 | 10 | 10 | 10 | 4 | 40 | 1 |
| 2 | ROGINSKY Eric | | | XX | 5 | | | 1 | 5 | 4 |
| 3 | GENKIN Alexander | Toronto Judo Kai | | | XX | | | 0 | 0 | 5 |
| 4 | BROWN Haden | Kawasaki Rendokan Judo Academy | 10 | 5 | XX | 1 | | 3 | 16 | 2 |
| 5 | DURETETE Matheo | Kawasaki Rendokan Judo Academy | 5 | 5 | | XX | | 2 | 10 | 3 |

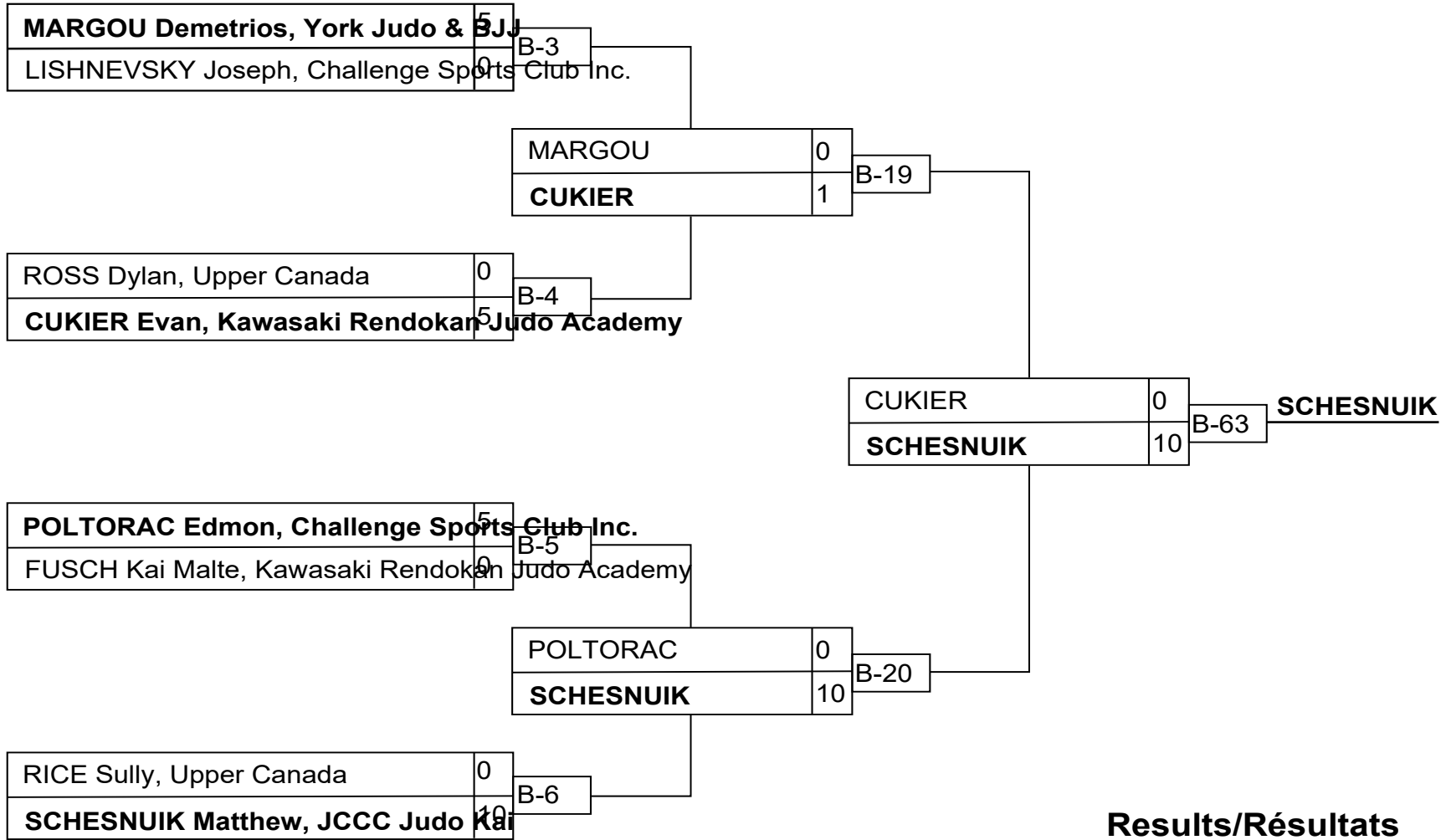
Matches/Matches

| Match | White/Blanc | | | Blue/Bleu | Res/Rés | Tim/Tmp | Code |
|-------|----------------------|---|---|------------------------|---------|---------|------|
| B-1 | BROWN Haden | 4 | 5 | DURETETE Matheo | 1 - 0 | 2:00 | YUS |
| B-2 | ROITMAN Arel | 1 | 2 | ROGINSKY Eric | 10 - 0 | 0:33 | IPO |
| B-7 | GENKIN Alexander | 3 | 4 | BROWN Haden | 0 - 5 | 2:00 | WAZ |
| B-8 | ROITMAN Arel | 1 | 5 | DURETETE Matheo | 10 - 0 | 1:50 | IPO |
| B-15 | ROGINSKY Eric | 2 | 3 | GENKIN Alexander | 5 - 0 | 2:00 | WAZ |
| B-16 | ROITMAN Arel | 1 | 4 | BROWN Haden | 10 - 0 | 0:37 | IPO |
| B-31 | GENKIN Alexander | 3 | 5 | DURETETE Matheo | 0 - 5 | 2:00 | WAZ |
| B-32 | ROGINSKY Eric | 2 | 4 | BROWN Haden | 0 - 10 | 2:00 | IPO |
| B-45 | ROITMAN Arel | 1 | 3 | GENKIN Alexander | 10 - 0 | 0:25 | IPO |
| B-46 | ROGINSKY Eric | 2 | 5 | DURETETE Matheo | 0 - 5 | 2:00 | WAZ |

Results/Résultats

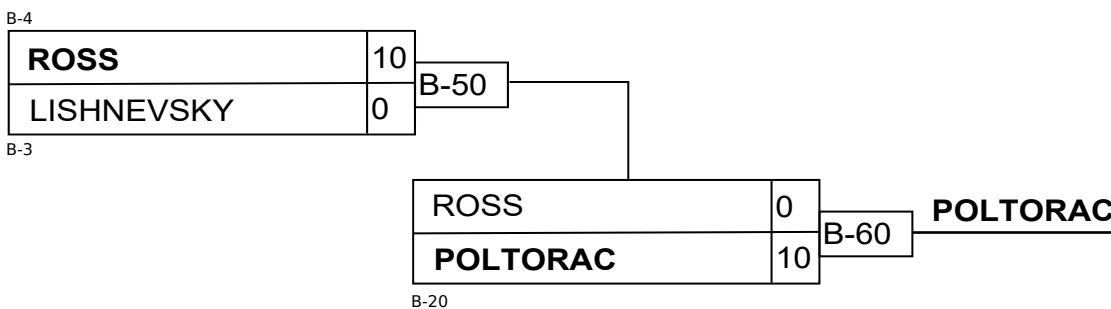
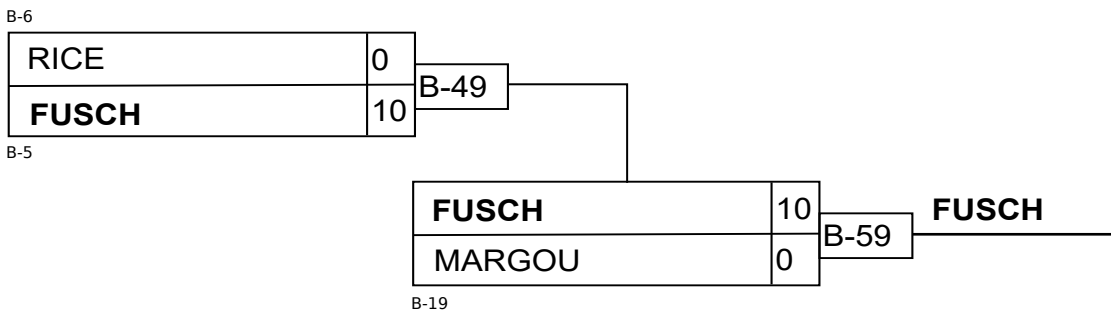
| Pos | Name/Nom |
|-----|---|
| 1 | ROITMAN Arel, Taifu Judo Club |
| 2 | BROWN Haden, Kawasaki Rendokan Judo Academy |
| 3 | DURETETE Matheo, Kawasaki Rendokan Judo Academy |
| 4 | ROGINSKY Eric, |
| | |

U12 Men -30kg

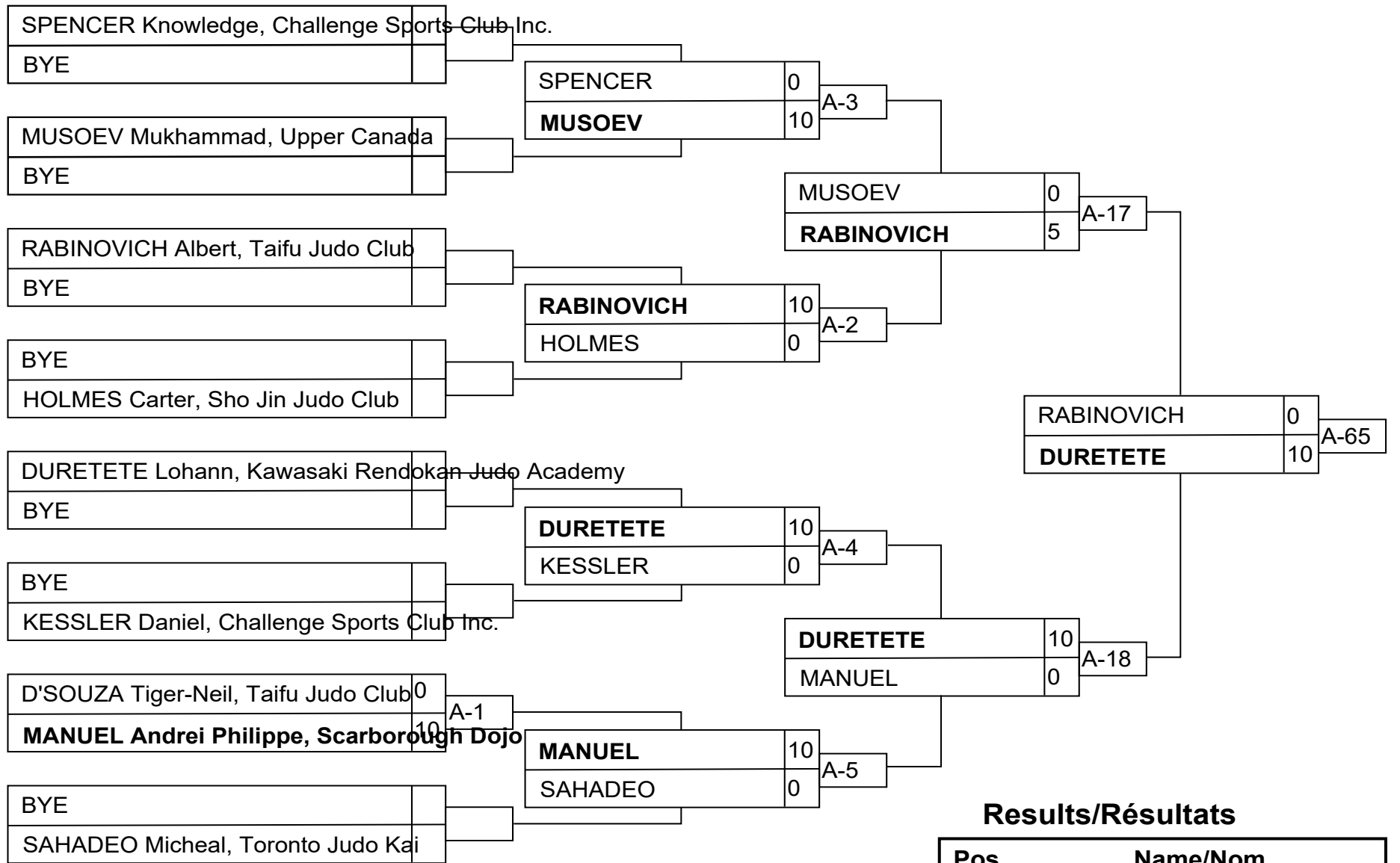


Results/Résultats

| Pos | Name/Nom |
|-----|---|
| 1 | SCHE-SNUIK Matthew, JCCC Judo Kai |
| 2 | CUKIER Evan, Kawasaki Rendokan Judo Academy |
| 3 | FUSCH Kai Malte, Kawasaki Rendokan Judo Academy |
| 3 | POLTORAC Edmon, Challenge Sports Club Inc. |

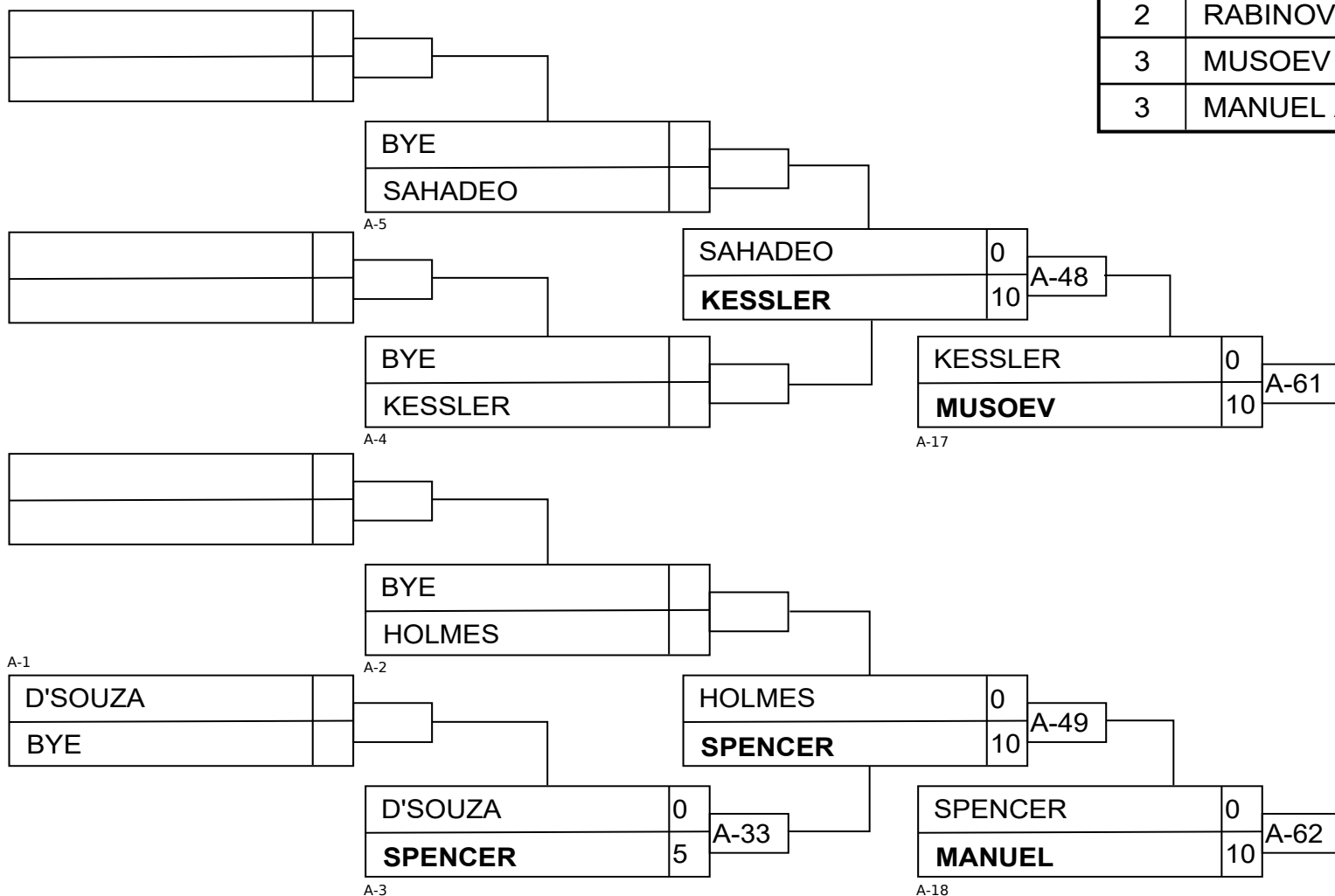


U12 Men -33kg

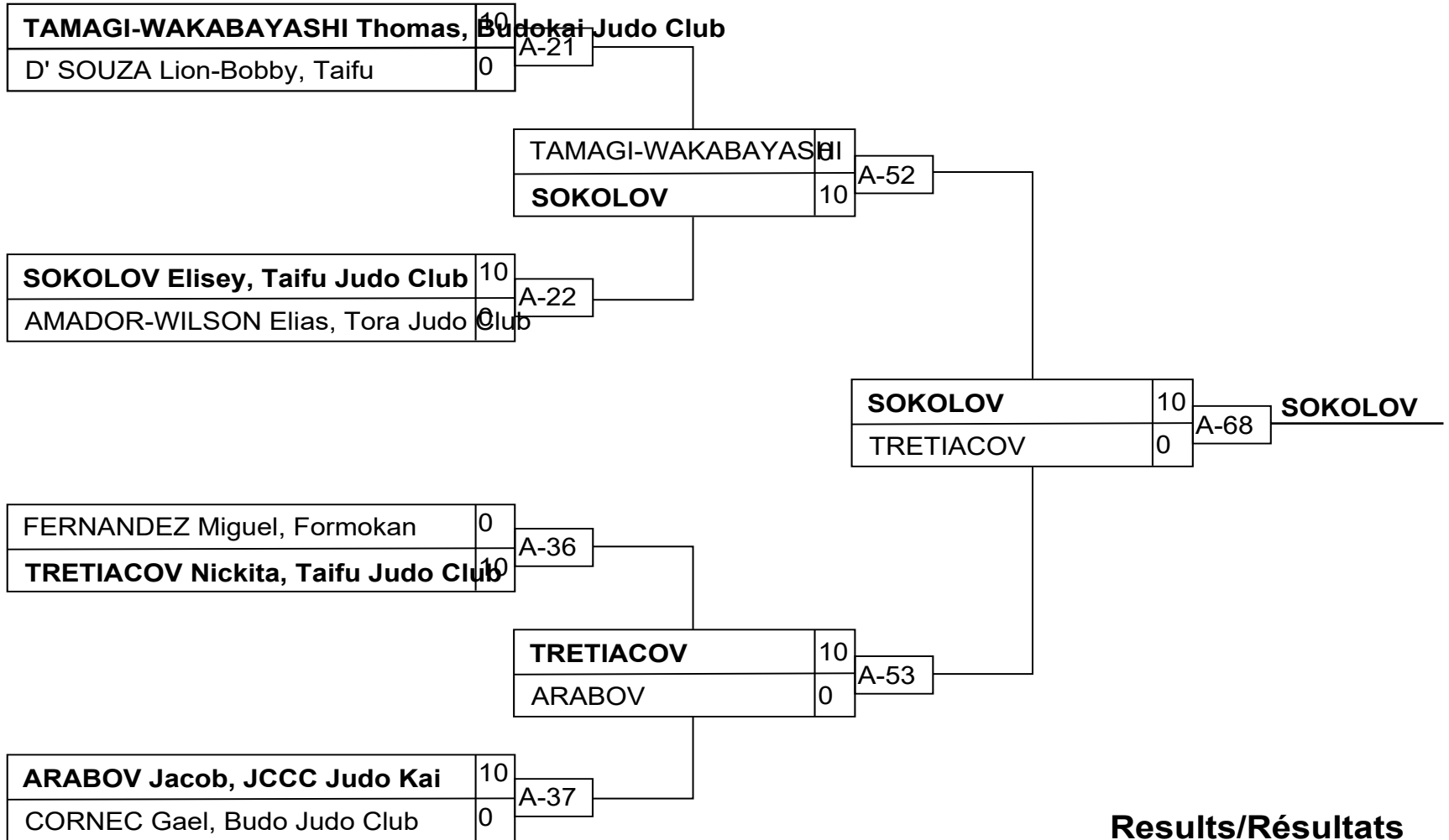


Results/Résultats

| Pos | Name/Nom |
|-----|---|
| 1 | DURETETE Lohann, Kawasaki Rendokan Judo Academy |
| 2 | RABINOVICH Albert, Taifu Judo Club |
| 3 | MUSOEV Mukhammad, Upper Canada Judo Club |
| 3 | MANUEL Andrei Philippe, Scarborough Dojo |

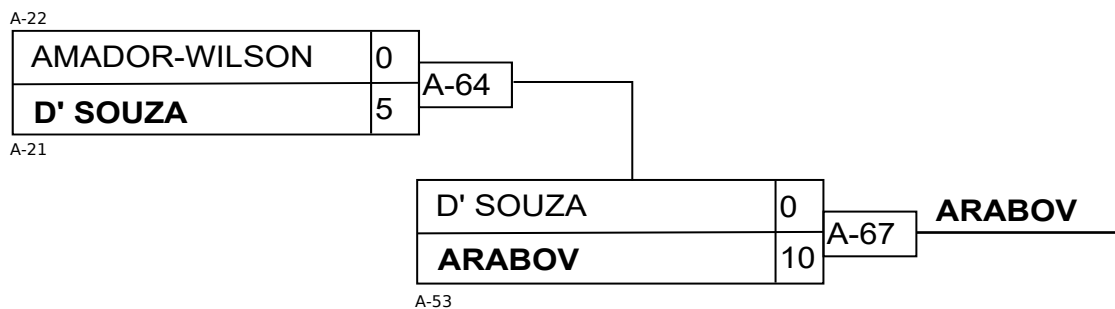
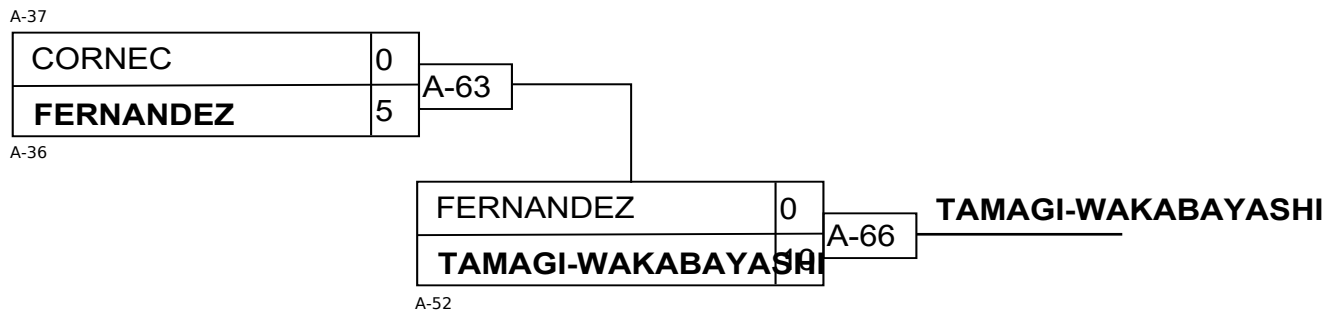


U12 Men -36kg

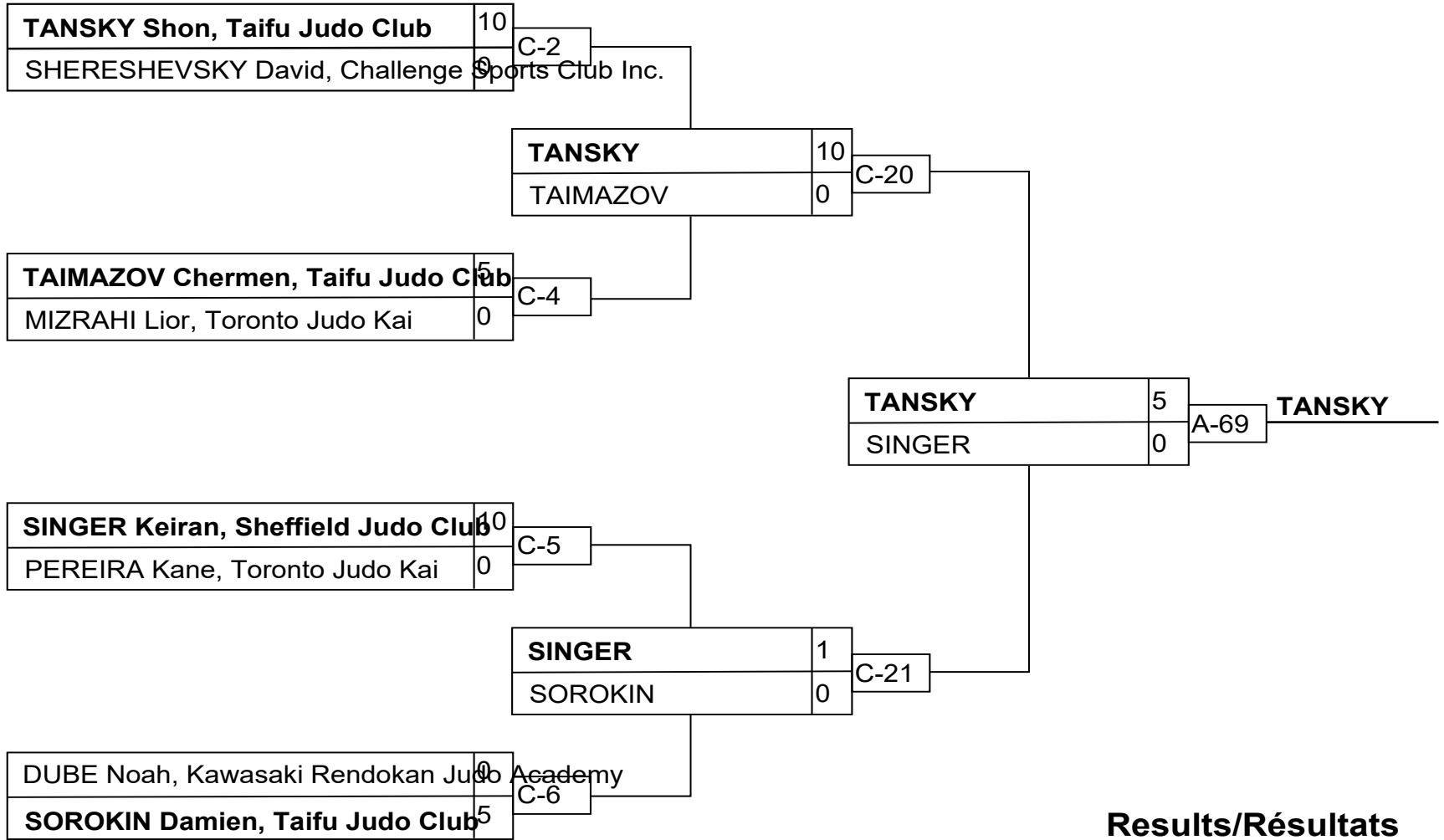


Results/Résultats

| Pos | Name/Nom |
|-----|------------------------------------|
| 1 | SOKOLOV Elisey, Taifu Judo Club |
| 2 | TRETIACOV Nickita, Taifu Judo Club |
| 3 | TAMAGI-WAKABAYASHI Thomas, E |
| 3 | ARABOV Jacob, JCCC Judo Kai |

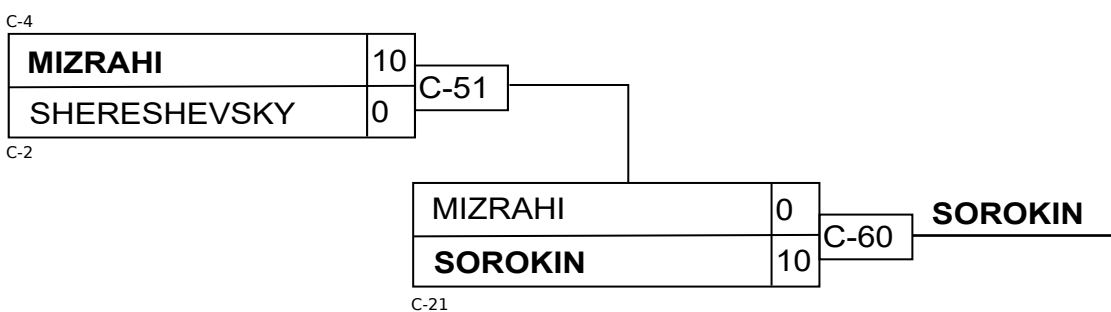
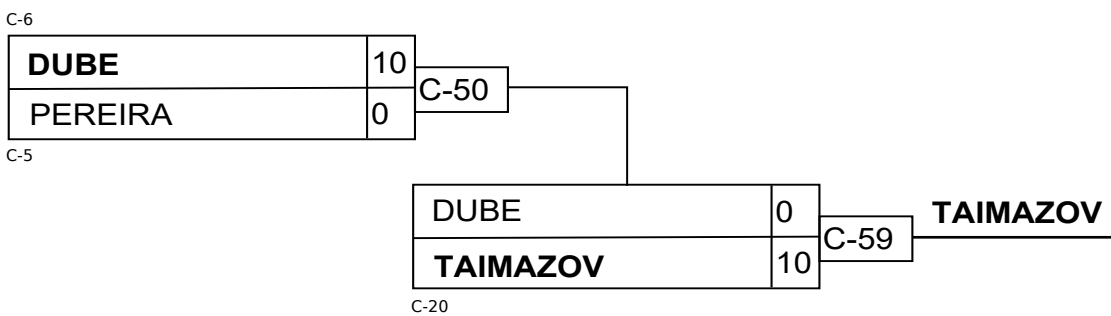


U12 Men -39kg



Results/Résultats

| Pos | Name/Nom |
|-----|------------------------------------|
| 1 | TANSKY Shon, Taifu Judo Club |
| 2 | SINGER Keiran, Sheffield Judo Club |
| 3 | TAIMAZOV Chermen, Taifu Judo Club |
| 3 | SOROKIN Damien, Taifu Judo Club |



U12 Men -42kg

Competitors/Compétiteurs

| # | Name/Nom | Club | 1 | 2 | 3 | 4 | 5 | W/G | Pts | Pos |
|---|-------------------|--------------------------------|----|----|----|----|----|-----|-----|-----|
| 1 | LIEM Evan | York Judo & BJJ | XX | 10 | | | | 1 | 10 | 4 |
| 2 | KHOUSSID Mark | Challenge Sports Club Inc. | | XX | | | | 0 | 0 | 5 |
| 3 | BOURENANE Yassine | Kawasaki Rendokan Judo Academy | | 10 | XX | | 10 | 3 | 25 | 3 |
| 4 | UDEBASHVILI Alex | Taifu Judo Club | 10 | 10 | 10 | XX | | 3 | 30 | 2 |
| 5 | KASICH Nick | Taifu Judo Club | 10 | 10 | | 10 | XX | 3 | 30 | 1 |

Matches/Matches

| Match | White/Blanc | | | Blue/Bleu | Res/Rés | Tim/Tmp | Code |
|-------|--------------------------|---|---|--------------------------|---------|---------|------|
| A-9 | UDEBASHVILI Alex | 4 | 5 | KASICH Nick | 0 - 10 | 2:00 | IPO |
| A-10 | LIEM Evan | 1 | 2 | KHOUSSID Mark | 10 - 0 | 2:00 | IPO |
| A-14 | BOURENANE Yassine | 3 | 4 | UDEBASHVILI Alex | 0 - 10 | 1:39 | IPO |
| A-15 | LIEM Evan | 1 | 5 | KASICH Nick | 0 - 10 | 0:31 | IPO |
| A-23 | KHOUSSID Mark | 2 | 3 | BOURENANE Yassine | 0 - 5 | 2:00 | WAZ |
| A-24 | LIEM Evan | 1 | 4 | UDEBASHVILI Alex | 0 - 10 | 0:58 | IPO |
| A-38 | BOURENANE Yassine | 3 | 5 | KASICH Nick | 10 - 0 | 2:00 | IPO |
| A-39 | KHOUSSID Mark | 2 | 4 | UDEBASHVILI Alex | 0 - 10 | 1:38 | IPO |
| A-54 | LIEM Evan | 1 | 3 | BOURENANE Yassine | 0 - 10 | 2:00 | IPO |
| A-55 | KHOUSSID Mark | 2 | 5 | KASICH Nick | 0 - 10 | 1:47 | IPO |

Results/Résultats

| Pos | Name/Nom |
|-----|---|
| 1 | KASICH Nick, Taifu Judo Club |
| 2 | UDEBASHVILI Alex, Taifu Judo Club |
| 3 | BOURENANE Yassine, Kawasaki Rendokan Judo Academy |
| 4 | LIEM Evan, York Judo & BJJ |
| | |

U12 Men -50kg

Competitors/Compétiteurs

| # | Name/Nom | Club | 1 | 2 | 3 | 4 | W/G | Pts | Pos |
|---|----------------------|----------------------------|----|----|----|----|-----|-----|-----|
| 1 | SAMPSON Quentin | Sho Jin Judo Club | XX | | | | 0 | 0 | 4 |
| 2 | REXHEPI Reinis | Hayabusakan Judo | 1 | XX | | | 1 | 1 | 3 |
| 3 | TOROS Jadian | Asahi Judo Club | 10 | 5 | XX | 5 | 3 | 20 | 1 |
| 4 | PEREGORODIEV Mikhail | Challenge Sports Club Inc. | 10 | 10 | | XX | 2 | 20 | 2 |

Matches/Matches

| Match | White/Blanc | | | Blue/Bleu | Res/Rés | Tim/Tmp | Code |
|-------|---------------------|---|---|-----------------------------|---------|---------|------|
| C-22 | SAMPSON Quentin | 1 | 2 | REXHEPI Reinis | 0 - 1 | 0:00 | YUS |
| C-23 | TOROS Jadian | 3 | 4 | PEREGORODIEV Mikhail | 5 - 0 | 2:00 | WAZ |
| C-36 | SAMPSON Quentin | 1 | 3 | TOROS Jadian | 0 - 10 | 0:19 | IPO |
| C-37 | REXHEPI Reinis | 2 | 4 | PEREGORODIEV Mikhail | 0 - 10 | 0:49 | IPO |
| C-52 | SAMPSON Quentin | 1 | 4 | PEREGORODIEV Mikhail | 0 - 10 | 0:37 | IPO |
| C-53 | REXHEPI Reinis | 2 | 3 | TOROS Jadian | 0 - 5 | 2:00 | WAZ |

Results/Résultats

| Pos | Name/Nom |
|-----|--|
| 1 | TOROS Jadian, Asahi Judo Club |
| 2 | PEREGORODIEV Mikhail, Challenge Sports Club Inc. |
| 3 | REXHEPI Reinis, Hayabusakan Judo |
| | |

U12 Women -27kg

Competitors/Compétiteurs

| # | Name/Nom | Club | 1 | 2 | 1 | 2 | 1 | 2 | W/G | Pts | Pos |
|---|--------------------|--------------|----|----|----|----|----|----|-----|-----|-----|
| 1 | CEA Olivia | Ajax Budokan | XX | 10 | XX | 10 | XX | | 2 | 20 | 1 |
| 2 | VIDINOVSKI Liljana | Ajax Budokan | | XX | | XX | | XX | 0 | 0 | 2 |

Matches/Matches

| Match | White/Blanc | | | Blue/Bleu | Res/Rés | Tim/Tmp | Code |
|-------|--------------------|---|---|--------------------|---------|---------|------|
| A-25 | CEA Olivia | 1 | 2 | VIDINOVSKI Liljana | 10 - 0 | 1:07 | IPO |
| A-40 | VIDINOVSKI Liljana | 2 | 1 | CEA Olivia | 0 - 10 | 0:58 | IPO |
| A-56 | CEA Olivia | 1 | 2 | VIDINOVSKI Liljana | | | |

Results/Résultats

| Pos | Name/Nom |
|-----|--------------------------|
| 1 | CEA Olivia, Ajax Budokan |
| | |

U12 Women -33kg

Competitors/Compétiteurs

| # | Name/Nom | Club | 1 | 2 | 3 | 4 | W/G | Pts | Pos |
|---|------------------|--------------------|----|----|----|----|-----|-----|-----|
| 1 | MORRA Alexandra | Upper Canada | XX | 10 | 1 | | 2 | 11 | 2 |
| 2 | SHARPE Kristin | Formokan Judo Club | | XX | 1 | | 1 | 1 | 3 |
| 3 | FLORES Victoria | Toronto Judo Kai | | | XX | | 0 | 0 | 4 |
| 4 | FLORES Alexandra | Tora Judo Club | 5 | 10 | 10 | XX | 3 | 25 | 1 |

Matches/Matches

| Match | White/Blanc | | | Blue/Bleu | Res/Rés | Tim/Tmp | Code |
|-------|------------------------|---|---|-------------------------|---------|---------|------|
| B-21 | MORRA Alexandra | 1 | 2 | SHARPE Kristin | 10 - 0 | 0:36 | IPO |
| B-35 | FLORES Victoria | 3 | 4 | FLORES Alexandra | 0 - 10 | 2:00 | IPO |
| B-51 | MORRA Alexandra | 1 | 3 | FLORES Victoria | 1 - 0 | 4:00 | YUS |
| B-56A | SHARPE Kristin | 2 | 4 | FLORES Alexandra | 0 - 10 | 0:45 | IPO |
| B-60B | MORRA Alexandra | 1 | 4 | FLORES Alexandra | 0 - 5 | 2:00 | WAZ |
| B-60A | SHARPE Kristin | 2 | 3 | FLORES Victoria | 1 - 0 | 4:00 | YUS |

Results/Résultats

| Pos | Name/Nom |
|-----|------------------------------------|
| 1 | FLORES Alexandra, Tora Judo Club |
| 2 | MORRA Alexandra, Upper Canada |
| 3 | SHARPE Kristin, Formokan Judo Club |
| | |

U12 Women -42kg

Competitors/Compétiteurs

| # | Name/Nom | Club | 1 | 2 | 1 | 2 | 1 | 2 | W/G | Pts | Pos |
|---|-------------------|----------------------------|----|----|----|----|----|----|-----|-----|-----|
| 1 | GESA Dilana | Battle Arts Academy | XX | | XX | | XX | | 0 | 0 | 2 |
| 2 | RATSKOVICH Nicole | Challenge Sports Club Inc. | 10 | XX | 10 | XX | | XX | 2 | 20 | 1 |

Matches/Matches

| Match | White/Blanc | | | Blue/Bleu | Res/Rés | Tim/Tmp | Code |
|-------|--------------------------|---|---|--------------------------|---------|---------|------|
| A-29 | GESA Dilana | 1 | 2 | RATSKOVICH Nicole | 0 - 10 | 1:33 | IPO |
| A-44 | RATSKOVICH Nicole | 2 | 1 | GESA Dilana | 10 - 0 | 0:38 | IPO |
| A-60 | GESA Dilana | 1 | 2 | RATSKOVICH Nicole | | | |

Results/Résultats

| Pos | Name/Nom |
|-----|---|
| 1 | RATSKOVICH Nicole, Challenge Sports Club Inc. |
| | |

U16 Men -42kg

Competitors/Compétiteurs

| # | Name/Nom | Club | 1 | 2 | 3 | 4 | W/G | Pts | Pos |
|---|----------------------------|----------------------------|----|----|----|----|-----|-----|-----|
| 1 | NEYELOV Arden | Taifu Judo Club | XX | 5 | | | 1 | 5 | 3 |
| 2 | NEYELOV Dennis | Taifu Judo Club | | XX | | | 0 | 0 | 4 |
| 3 | POLYAKOV Alexander (Sasha) | JCCC Judo Kai | 10 | 10 | XX | 10 | 3 | 30 | 1 |
| 4 | MAYOROV Philipp | Challenge Sports Club Inc. | 5 | 10 | | XX | 2 | 15 | 2 |

Matches/Matches

| Match | White/Blanc | | | Blue/Bleu | Res/Rés | Tim/Tmp | Code |
|-------|-----------------------------------|---|---|-----------------------------------|---------|---------|------|
| A-26 | NEYELOV Arden | 1 | 2 | NEYELOV Dennis | 5 - 0 | 5:08 | GSW |
| A-27 | POLYAKOV Alexander (Sasha) | 3 | 4 | MAYOROV Philipp | 10 - 0 | 2:49 | IPO |
| A-41 | NEYELOV Arden | 1 | 3 | POLYAKOV Alexander (Sasha) | 0 - 10 | 3:00 | IPO |
| A-42 | NEYELOV Dennis | 2 | 4 | MAYOROV Philipp | 0 - 10 | 0:16 | IPO |
| A-57 | NEYELOV Arden | 1 | 4 | MAYOROV Philipp | 0 - 5 | 3:00 | WAZ |
| A-58 | NEYELOV Dennis | 2 | 3 | POLYAKOV Alexander (Sasha) | 0 - 10 | 0:33 | IPO |

Results/Résultats

| Pos | Name/Nom |
|-----|---|
| 1 | POLYAKOV Alexander (Sasha), JCCC Judo Kai |
| 2 | MAYOROV Philipp, Challenge Sports Club Inc. |
| 3 | NEYELOV Arden, Taifu Judo Club |
| | |

U16 Men -46kg

Competitors/Compétiteurs

| # | Name/Nom | Club | 1 | 2 | 3 | 4 | W/G | Pts | Pos |
|---|----------------------|-----------------|----|----|----|----|-----|-----|-----|
| 1 | TANSKY Nikita | Taifu Judo Club | XX | | 10 | 10 | 2 | 20 | 2 |
| 2 | TSATSALASHVILI Lasha | Taifu Judo Club | 5 | XX | 10 | 10 | 3 | 25 | 1 |
| 3 | FANTOZZI Manuele | Ajax Budokan | | | XX | 10 | 1 | 10 | 3 |
| 4 | LAU Connor | York Judo & BJJ | | | | XX | 0 | 0 | 4 |

Matches/Matches

| Match | White/Blanc | | | Blue/Bleu | Res/Rés | Tim/Tmp | Code |
|-------|----------------------|---|---|----------------------|---------|---------|------|
| B-17 | TANSKY Nikita | 1 | 2 | TSATSALASHVILI Lasha | 0 - 5 | 3:00 | WAZ |
| B-18 | FANTOZZI Manuele | 3 | 4 | LAU Connor | 10 - 0 | 0:00 | KIK |
| B-33 | TANSKY Nikita | 1 | 3 | FANTOZZI Manuele | 10 - 0 | 1:17 | IPO |
| B-34 | TSATSALASHVILI Lasha | 2 | 4 | LAU Connor | 10 - 0 | 0:00 | KIK |
| B-47 | TANSKY Nikita | 1 | 4 | LAU Connor | 10 - 0 | 0:00 | KIK |
| B-48 | TSATSALASHVILI Lasha | 2 | 3 | FANTOZZI Manuele | 10 - 0 | 2:25 | IPO |

Results/Résultats

| Pos | Name/Nom |
|-----|---------------------------------------|
| 1 | TSATSALASHVILI Lasha, Taifu Judo Club |
| 2 | TANSKY Nikita, Taifu Judo Club |
| 3 | FANTOZZI Manuele, Ajax Budokan |
| | |

U16 Men -50kg

Competitors/Compétiteurs A

| # | Name/Nom | Club | 1 | 2 | 3 | W/G | Pts | Pos |
|---|------------------|-----------------|----|----|----|-----|-----|-----|
| 1 | XINKAS Johnathan | Taifu Judo Club | XX | | | 0 | 0 | 3 |
| 2 | CHITOV Ivan | JCCC Judo Kai | 10 | XX | | 1 | 10 | 2 |
| 3 | MCMILLAN Owen | Upper Canada | 10 | 10 | XX | 2 | 20 | 1 |

Matches/Matches A

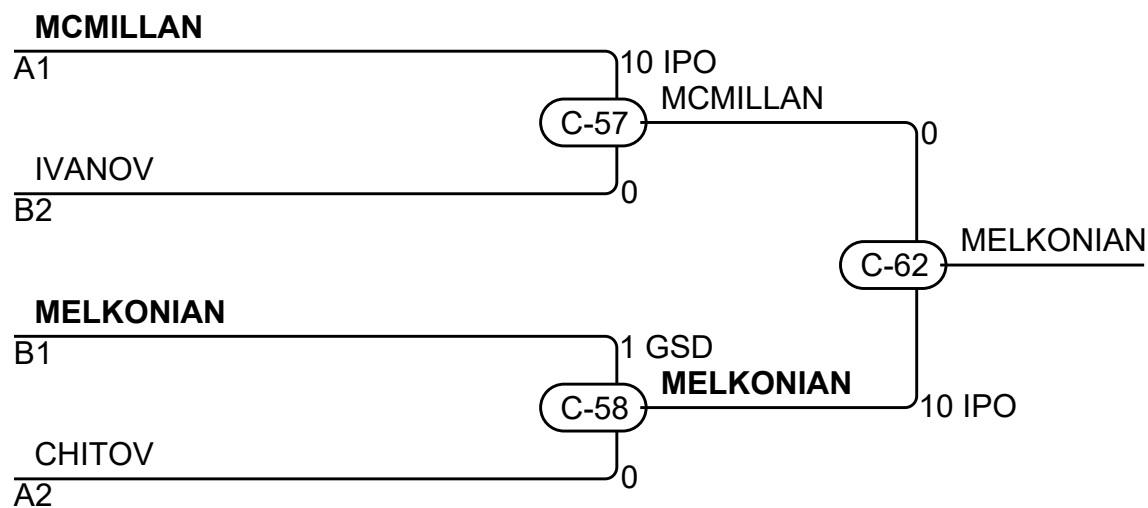
| Match | White/Blanc | | | Blue/Bleu | Res/Rés | Tim/Tmp | Code |
|-------|------------------|---|---|---------------|---------|---------|------|
| C-15 | XINKAS Johnathan | 1 | 2 | CHITOV Ivan | 0 - 10 | 0:21 | HAN |
| C-31 | XINKAS Johnathan | 1 | 3 | MCMILLAN Owen | 0 - 10 | 0:00 | KIK |
| C-45 | CHITOV Ivan | 2 | 3 | MCMILLAN Owen | 0 - 10 | 1:36 | IPO |

Competitors/Compétiteurs B

| # | Name/Nom | Club | 4 | 5 | 6 | W/G | Pts | Pos |
|---|-----------------|---------------------------|----|----|----|-----|-----|-----|
| 4 | IVANOV Maxim | Tsunami Martial Arts Club | XX | | 5 | 1 | 5 | 2 |
| 5 | MELKONIAN David | Taifu Judo Club | 5 | XX | 5 | 2 | 10 | 1 |
| 6 | COELHO Nathan | Battle Arts Academy | | | XX | 0 | 0 | 3 |

Matches/Matches B

| Match | White/Blanc | | | Blue/Bleu | Res/Rés | Tim/Tmp | Code |
|-------|-----------------|---|---|-----------------|---------|---------|------|
| C-16 | IVANOV Maxim | 4 | 5 | MELKONIAN David | 0 - 5 | 5:00 | GSW |
| C-32 | IVANOV Maxim | 4 | 6 | COELHO Nathan | 5 - 0 | 3:00 | WAZ |
| C-46 | MELKONIAN David | 5 | 6 | COELHO Nathan | 5 - 0 | 3:00 | WAZ |



Results/Résultats

| Pos | Name/Nom |
|-----|---|
| 1 | MELKONIAN David, Taifu Judo Club |
| 2 | MCMILLAN Owen, Upper Canada |
| 3 | IVANOV Maxim, Tsunami Martial Arts Club |
| 3 | CHITOV Ivan, JCCC Judo Kai |

U16 Men -55kg

Competitors/Compétiteurs

| # | Name/Nom | Club | 1 | 2 | 3 | 4 | 5 | W/G | Pts | Pos |
|---|----------------------|---------------------------|----|----|----|----|----|-----|-----|-----|
| 1 | CHONG Allen | Trent Judo Club | XX | | | 1 | | 1 | 1 | 5 |
| 2 | CHITOV Vladimir | JCCC Judo Kai | 10 | XX | 10 | 10 | | 3 | 30 | 1 |
| 3 | KAMALOV Lenar | Tsunami Martial Arts Club | 10 | | XX | | | 1 | 10 | 4 |
| 4 | CASTRO Rafael Enrico | Toronto Judo Kai | | | 5 | XX | 10 | 2 | 15 | 3 |
| 5 | DE JESUS Deandres | Action and Reaction MMA | 5 | 10 | 5 | | XX | 3 | 20 | 2 |

Matches/Matches

| Match | White/Blanc | | | Blue/Bleu | Res/Rés | Tim/Tmp | Code |
|-------|-----------------------------|---|---|-----------------------------|---------|---------|------|
| C-1 | CASTRO Rafael Enrico | 4 | 5 | DE JESUS Deandres | 10 - 0 | 1:19 | IPO |
| C-3 | CHONG Allen | 1 | 2 | CHITOV Vladimir | 0 - 10 | 3:24 | GSI |
| C-7 | KAMALOV Lenar | 3 | 4 | CASTRO Rafael Enrico | 0 - 5 | 3:00 | WAZ |
| C-8 | CHONG Allen | 1 | 5 | DE JESUS Deandres | 0 - 5 | 3:06 | GSW |
| C-12 | CHITOV Vladimir | 2 | 3 | KAMALOV Lenar | 10 - 0 | 2:06 | IPO |
| C-13 | CHONG Allen | 1 | 4 | CASTRO Rafael Enrico | 1 - 0 | 0:44 | YUS |
| C-26 | KAMALOV Lenar | 3 | 5 | DE JESUS Deandres | 0 - 5 | 3:00 | WAZ |
| C-27 | CHITOV Vladimir | 2 | 4 | CASTRO Rafael Enrico | 10 - 0 | 2:43 | IPO |
| C-40 | CHONG Allen | 1 | 3 | KAMALOV Lenar | 0 - 10 | 0:00 | KIK |
| C-41 | CHITOV Vladimir | 2 | 5 | DE JESUS Deandres | 0 - 10 | 2:53 | IPO |

Results/Résultats

| Pos | Name/Nom |
|-----|--|
| 1 | CHITOV Vladimir, JCCC Judo Kai |
| 2 | DE JESUS Deandres, Action and Reaction MMA |
| 3 | CASTRO Rafael Enrico, Toronto Judo Kai |
| 4 | KAMALOV Lenar, Tsunami Martial Arts Club |
| 5 | CHONG Allen, Trent Judo Club |

U16 Men -60kg

Competitors/Compétiteurs A

| # | Name/Nom | Club | 1 | 2 | 3 | W/G | Pts | Pos |
|---|-----------------|-------------------------|----|----|----|-----|-----|-----|
| 1 | TALANOV Michael | Taifu Judo Club | XX | 10 | 10 | 2 | 20 | 1 |
| 2 | HANJI Guy | The Art Of Balance Dojo | | XX | 5 | 1 | 5 | 2 |
| 3 | CHEVALIER Louis | Hayabusakan Judo | | | XX | 0 | 0 | 3 |

Matches/Matches A

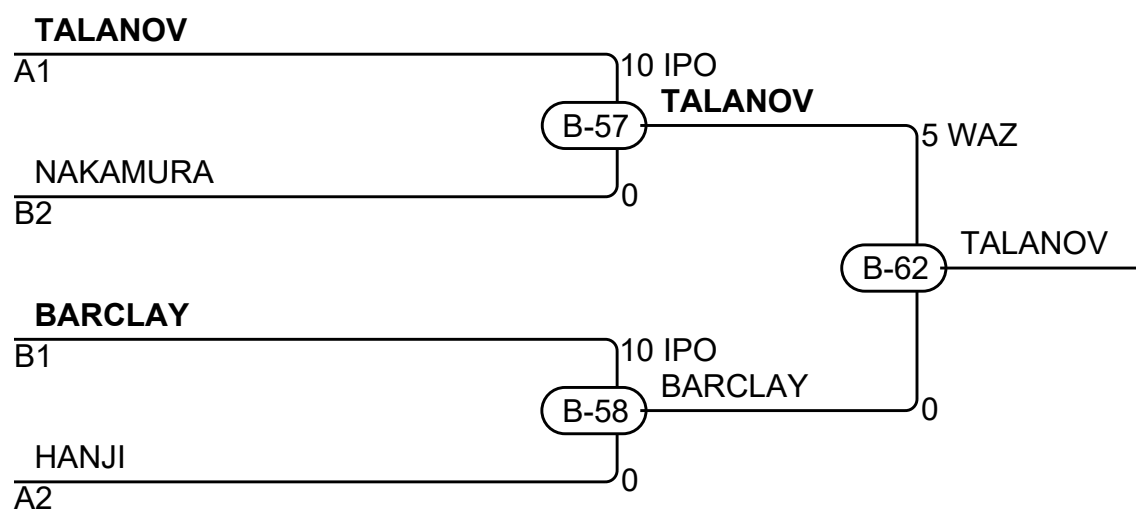
| Match | White/Blanc | | | Blue/Bleu | Res/Rés | Tim/Tmp | Code |
|-------|-----------------|---|---|-----------------|---------|---------|------|
| B-13 | TALANOV Michael | 1 | 2 | HANJI Guy | 10 - 0 | 0:31 | IPO |
| B-29 | TALANOV Michael | 1 | 3 | CHEVALIER Louis | 10 - 0 | 0:10 | IPO |
| B-43 | HANJI Guy | 2 | 3 | CHEVALIER Louis | 5 - 0 | 3:00 | WAZ |

Competitors/Compétiteurs B

| # | Name/Nom | Club | 4 | 5 | 6 | W/G | Pts | Pos |
|---|---------------|-----------------|----|----|----|-----|-----|-----|
| 4 | BARCLAY Aiden | Asahi Judo Club | XX | 10 | 10 | 2 | 20 | 1 |
| 5 | YALIN Berk | JCCC Judo Kai | | XX | | 0 | 0 | 3 |
| 6 | NAKAMURA Finn | Takahashi Dojo | | 10 | XX | 1 | 10 | 2 |

Matches/Matches B

| Match | White/Blanc | | | Blue/Bleu | Res/Rés | Tim/Tmp | Code |
|-------|---------------|---|---|---------------|---------|---------|------|
| B-14 | BARCLAY Aiden | 4 | 5 | YALIN Berk | 10 - 0 | 0:07 | IPO |
| B-30 | BARCLAY Aiden | 4 | 6 | NAKAMURA Finn | 10 - 0 | 0:12 | IPO |
| B-44 | YALIN Berk | 5 | 6 | NAKAMURA Finn | 0 - 10 | 0:53 | IPO |



Results/Résultats

| Pos | Name/Nom |
|-----|------------------------------------|
| 1 | TALANOV Michael, Taifu Judo Club |
| 2 | BARCLAY Aiden, Asahi Judo Club |
| 3 | NAKAMURA Finn, Takahashi Dojo |
| 3 | HANJI Guy, The Art Of Balance Dojo |

U16 Men -66kg

Competitors/Compétiteurs A

| # | Name/Nom | Club | 1 | 2 | 3 | 4 | W/G | Pts | Pos |
|---|--------------------------|-----------------------------|----|----|----|----|-----|-----|-----|
| 1 | OSITASHVILI Mark | Tina Takahashi Martial Arts | XX | 10 | 10 | | 2 | 20 | 2 |
| 2 | KONONOV Artem | Toronto Judo Kai | | XX | 10 | | 1 | 10 | 3 |
| 3 | FAVRETTO Adam | Challenge Sports Club Inc. | | | XX | | 0 | 0 | 4 |
| 4 | ARABOV Michael | JCCC Judo Kai | 5 | 10 | 10 | XX | 3 | 25 | 1 |

Matches/Matches A

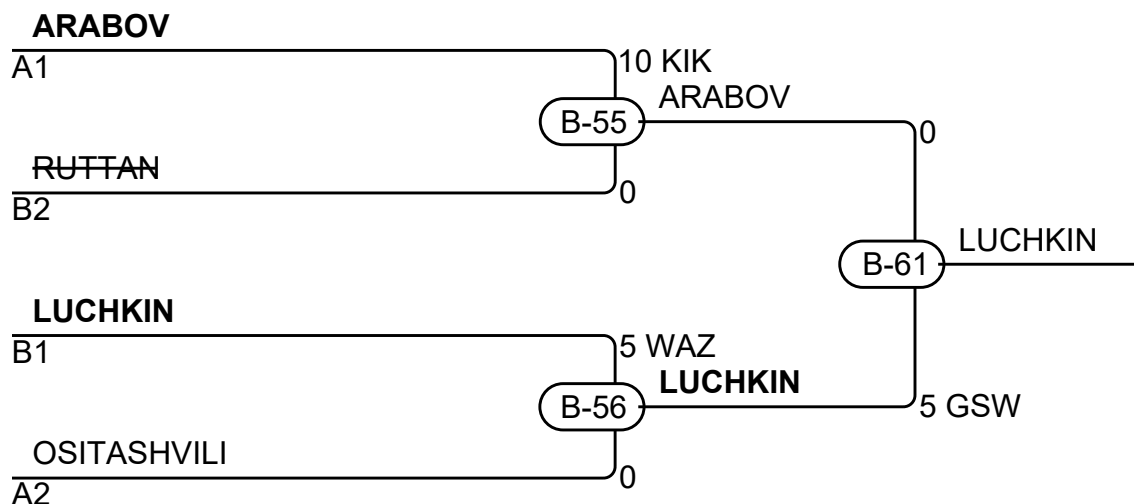
| Match | White/Blanc | | | Blue/Bleu | Res/Rés | Tim/Tmp | Code |
|-------|------------------|---|---|----------------|---------|---------|------|
| B-10 | OSITASHVILI Mark | 1 | 2 | KONONOV Artem | 10 - 0 | 0:37 | IPO |
| B-11 | FAVRETTO Adam | 3 | 4 | ARABOV Michael | 0 - 10 | 0:24 | IPO |
| B-26 | OSITASHVILI Mark | 1 | 3 | FAVRETTO Adam | 10 - 0 | 1:23 | IPO |
| B-27 | KONONOV Artem | 2 | 4 | ARABOV Michael | 0 - 10 | 1:07 | IPO |
| B-40 | OSITASHVILI Mark | 1 | 4 | ARABOV Michael | 0 - 5 | 3:00 | WAZ |
| B-41 | KONONOV Artem | 2 | 3 | FAVRETTO Adam | 10 - 0 | 0:00 | KIK |

Competitors/Compétiteurs B

| # | Name/Nom | Club | 5 | 6 | 7 | W/G | Pts | Pos |
|---|---------------|----------------------------|----|----|----|-----|-----|-----|
| 5 | GAREEV Arthur | Toronto Judo Kai | XX | | | 0 | 0 | 3 |
| 6 | RUTTAN Liam | Peel Judo Club | 10 | XX | | 1 | 10 | 2 |
| 7 | LUCHKIN Nick | Challenge Sports Club Inc. | 10 | 1 | XX | 2 | 11 | 1 |

Matches/Matches B

| Match | White/Blanc | | | Blue/Bleu | Res/Rés | Tim/Tmp | Code |
|-------|---------------|---|---|--------------|---------|---------|------|
| B-12 | GAREEV Arthur | 5 | 6 | RUTTAN Liam | 0 - 10 | 2:19 | IPO |
| B-28 | GAREEV Arthur | 5 | 7 | LUCHKIN Nick | 0 - 10 | 0:13 | IPO |
| B-42 | RUTTAN Liam | 6 | 7 | LUCHKIN Nick | 0 - 1 | 6:15 | GSD |



Results/Résultats

| Pos | Name/Nom |
|-----|---|
| 1 | LUCHKIN Nick, Challenge Sports Club Inc. |
| 2 | ARABOV Michael, JCCC Judo Kai |
| 3 | RUTTAN Liam, Peel Judo Club |
| 3 | OSITASHVILI Mark, Tina Takahashi Martial Arts & |

U16 Men +73kg

Competitors/Compétiteurs

| # | Name/Nom | Club | 1 | 2 | 3 | 4 | W/G | Pts | Pos |
|---|----------------|---------------------|----|----|----|----|-----|-----|-----|
| 1 | MACUMBER Owen | Ryudokan Judo Club | XX | | 5 | | 1 | 5 | 4 |
| 2 | HOWALD Soren | Nickel Belt Budokan | 10 | XX | | | 1 | 10 | 3 |
| 3 | EBRAHIM Basem | Battle Arts Academy | | 10 | XX | | 1 | 10 | 2 |
| 4 | ABDELREHIM Amr | Ajax Budokan | 10 | 10 | 10 | XX | 3 | 30 | 1 |

Matches/Matches

| Match | White/Blanc | | | Blue/Bleu | Res/Rés | Tim/Tmp | Code |
|-------|----------------------|---|---|----------------|---------|---------|------|
| A-7 | MACUMBER Owen | 1 | 2 | HOWALD Soren | 0 - 10 | 1:54 | IPO |
| A-12 | EBRAHIM Basem | 3 | 4 | ABDELREHIM Amr | 0 - 10 | 0:13 | IPO |
| A-30 | MACUMBER Owen | 1 | 3 | EBRAHIM Basem | 5 - 0 | 3:00 | WAZ |
| A-31 | HOWALD Soren | 2 | 4 | ABDELREHIM Amr | 0 - 10 | 0:57 | IPO |
| A-45 | MACUMBER Owen | 1 | 4 | ABDELREHIM Amr | 0 - 10 | 0:44 | IPO |
| A-46 | HOWALD Soren | 2 | 3 | EBRAHIM Basem | 0 - 10 | 1:00 | IPO |

Results/Résultats

| Pos | Name/Nom |
|-----|------------------------------------|
| 1 | ABDELREHIM Amr, Ajax Budokan |
| 2 | EBRAHIM Basem, Battle Arts Academy |
| 3 | HOWALD Soren, Nickel Belt Budokan |
| 4 | MACUMBER Owen, Ryudokan Judo Club |

U16 Women -52kg

Competitors/Compétiteurs

| # | Name/Nom | Club | 1 | 2 | 3 | 4 | W/G | Pts | Pos |
|---|--------------------------|-------------------------------|----|----|----|----|-----|-----|-----|
| 1 | MANUEL Alyssandra Phoebe | Scarborough Dojo | XX | | 10 | 5 | 2 | 15 | 2 |
| 2 | KAPUSTIN Emily | Tsunami Martial Arts Club | 10 | XX | 10 | 5 | 3 | 25 | 1 |
| 3 | COOK Elizabeth | Tina Takahashi Martial Arts & | | | XX | | 0 | 0 | 4 |
| 4 | ZHITAREVA Anna | JCCC Judo Kai | | | 10 | XX | 1 | 10 | 3 |

Matches/Matches

| Match | White/Blanc | | | Blue/Bleu | Res/Rés | Tim/Tmp | Code |
|-------|---------------------------------|---|---|-----------------------|---------|---------|------|
| C-17 | MANUEL Alyssandra Phoebe | 1 | 2 | KAPUSTIN Emily | 0 - 10 | 2:54 | IPO |
| C-18 | COOK Elizabeth | 3 | 4 | ZHITAREVA Anna | 0 - 10 | 0:20 | IPO |
| C-33 | MANUEL Alyssandra Phoebe | 1 | 3 | COOK Elizabeth | 10 - 0 | 0:31 | IPO |
| C-34 | KAPUSTIN Emily | 2 | 4 | ZHITAREVA Anna | 5 - 0 | 3:00 | WAZ |
| C-47 | MANUEL Alyssandra Phoebe | 1 | 4 | ZHITAREVA Anna | 5 - 0 | 3:00 | WAZ |
| C-48 | KAPUSTIN Emily | 2 | 3 | COOK Elizabeth | 10 - 0 | 0:11 | IPO |

Results/Résultats

| Pos | Name/Nom |
|-----|--|
| 1 | KAPUSTIN Emily, Tsunami Martial Arts Club |
| 2 | MANUEL Alyssandra Phoebe, Scarborough Dojo |
| 3 | ZHITAREVA Anna, JCCC Judo Kai |
| | |

U16 Women -57kg

Competitors/Compétiteurs

| # | Name/Nom | Club | 1 | 2 | 3 | 4 | W/G | Pts | Pos |
|---|--------------------|-------------------------------|----|----|----|----|-----|-----|-----|
| 1 | MACDONALD Meadow | Jackpine Judo Club | XX | 5 | 10 | | 2 | 15 | 2 |
| 2 | SHARPE Victoria | Formokan Judo Club | | XX | 10 | | 1 | 10 | 3 |
| 3 | ORMSTON Eden | Hayabusakan Judo | | | XX | | 0 | 0 | 4 |
| 4 | LEE Anne Hyunkyung | Shin Bu Kan (Mississauga Judo | | 5 | 10 | XX | 3 | 16 | 1 |

Matches/Matches

| Match | White/Blanc | | | Blue/Bleu | Res/Rés | Tim/Tmp | Code |
|-------|-------------------------|---|---|---------------------------|---------|---------|------|
| B-23 | MACDONALD Meadow | 1 | 2 | SHARPE Victoria | 5 - 0 | 3:00 | WAZ |
| B-24 | ORMSTON Eden | 3 | 4 | LEE Anne Hyunkyung | 0 - 10 | 0:36 | IPO |
| B-37 | MACDONALD Meadow | 1 | 3 | ORMSTON Eden | 10 - 0 | 0:07 | IPO |
| B-38 | SHARPE Victoria | 2 | 4 | LEE Anne Hyunkyung | 0 - 5 | 3:00 | WAZ |
| B-53 | MACDONALD Meadow | 1 | 4 | LEE Anne Hyunkyung | 0 - 1 | 4:27 | GSD |
| B-54 | SHARPE Victoria | 2 | 3 | ORMSTON Eden | 10 - 0 | 2:03 | IPO |

Results/Résultats

| Pos | Name/Nom |
|-----|---|
| 1 | LEE Anne Hyunkyung, Shin Bu Kan (Mississauga Judo |
| 2 | MACDONALD Meadow, Jackpine Judo Club |
| 3 | SHARPE Victoria, Formokan Judo Club |
| | |

U16 Women -63kg

Competitors/Compétiteurs

| # | Name/Nom | Club | 1 | W/G | Pts | Pos |
|---|------------|-----------------|----|-----|-----|-----|
| 1 | BLAKE Emma | Asahi Judo Club | XX | 0 | 0 | 1 |

Matches/Matches

| Match | White/Blanc | Blue/Bleu | Res/Rés | Tim/Tmp | Code |
|-------|-------------|-----------|---------|---------|------|
|-------|-------------|-----------|---------|---------|------|

Results/Résultats

| Pos | Name/Nom |
|-----|----------|
| | |

U21 Men -100kg

Competitors/Compétiteurs

| # | Name/Nom | Club | 1 | 2 | 1 | 2 | 1 | 2 | W/G | Pts | Pos |
|---|------------------|---------------------|----|----|----|----|----|----|-----|-----|-----|
| 1 | TONEKABONI Sadra | JCCC Judo Kai | XX | | XX | | XX | | 0 | 0 | 2 |
| 2 | HOWALD Quade | Nickel Belt Budokan | 10 | XX | 10 | XX | | XX | 2 | 20 | 1 |

Matches/Matches

| Match | White/Blanc | | | Blue/Bleu | Res/Rés | Tim/Tmp | Code |
|-------|------------------|---|---|------------------|---------|---------|------|
| A-28 | TONEKABONI Sadra | 1 | 2 | HOWALD Quade | 0 - 10 | 0:18 | IPO |
| A-43 | HOWALD Quade | 2 | 1 | TONEKABONI Sadra | 10 - 0 | 1:50 | IPO |
| A-59 | TONEKABONI Sadra | 1 | 2 | HOWALD Quade | | | |

Results/Résultats

| Pos | Name/Nom |
|-----|-----------------------------------|
| 1 | HOWALD Quade, Nickel Belt Budokan |
| | |

U21 Men -55kg

Competitors/Compétiteurs

| # | Name/Nom | Club | 1 | W/G | Pts | Pos |
|---|-----------------|--------------|----|-----|-----|-----|
| 1 | FANTOZZI Matteo | Ajax Budokan | XX | 0 | 0 | 1 |

Matches/Matches

| Match | White/Blanc | Blue/Bleu | Res/Rés | Tim/Tmp | Code |
|-------|-------------|-----------|---------|---------|------|
|-------|-------------|-----------|---------|---------|------|

Results/Résultats

| Pos | Name/Nom |
|-----|----------|
| | |

U21 Men -60kg

Competitors/Compétiteurs

| # | Name/Nom | Club | 1 | 2 | 3 | W/G | Pts | Pos |
|---|---------------------|------------------|----|----|----|-----|-----|-----|
| 1 | ALEXANDER Lochlainn | Hayabusakan Judo | XX | 10 | 10 | 2 | 20 | 1 |
| 2 | TEPER David | Hayabusakan Judo | | XX | 10 | 1 | 10 | 2 |
| 3 | VENUGOPAL Kaden | R.A Judo Club | | | XX | 0 | 0 | 3 |

Matches/Matches

| Match | White/Blanc | | | Blue/Bleu | Res/Rés | Tim/Tmp | Code |
|-------|---------------------|---|---|-----------------|---------|---------|------|
| A-16 | ALEXANDER Lochlainn | 1 | 2 | TEPER David | 10 - 0 | 4:30 | GSI |
| A-32 | ALEXANDER Lochlainn | 1 | 3 | VENUGOPAL Kaden | 10 - 0 | 1:21 | IPO |
| A-47 | TEPER David | 2 | 3 | VENUGOPAL Kaden | 10 - 0 | 2:37 | IPO |

Results/Résultats

| Pos | Name/Nom |
|-----|---------------------------------------|
| 1 | ALEXANDER Lochlainn, Hayabusakan Judo |
| 2 | TEPER David, Hayabusakan Judo |
| | |

U21 Men -66kg

Competitors/Compétiteurs A

| # | Name/Nom | Club | 1 | 2 | 3 | 4 | W/G | Pts | Pos |
|---|-----------------|-------------------------|----|----|----|----|-----|-----|-----|
| 1 | LONG Sean | Sheffield Judo Club | XX | | | | 0 | 0 | 4 |
| 2 | YOUNG Keyano | Ajax Budokan | 5 | XX | | | 1 | 5 | 3 |
| 3 | MAHMOUD Ossama | Kaizen Judo Club | 10 | 10 | XX | 5 | 3 | 25 | 1 |
| 4 | DE JESUS Dontae | Action and Reaction MMA | 10 | 5 | | XX | 2 | 15 | 2 |

Matches/Matches A

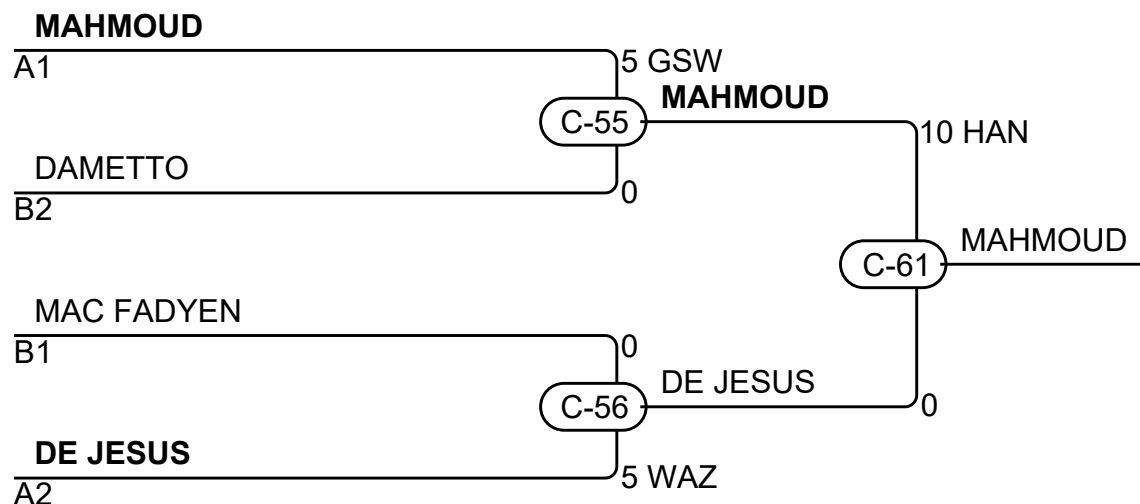
| Match | White/Blanc | | | Blue/Bleu | Res/Rés | Tim/Tmp | Code |
|-------|----------------|---|---|-----------------|---------|---------|------|
| C-10 | LONG Sean | 1 | 2 | YOUNG Keyano | 0 - 5 | 5:18 | GSW |
| C-11 | MAHMOUD Ossama | 3 | 4 | DE JESUS Dontae | 5 - 0 | 4:00 | WAZ |
| C-28 | LONG Sean | 1 | 3 | MAHMOUD Ossama | 0 - 10 | 1:36 | IPO |
| C-29 | YOUNG Keyano | 2 | 4 | DE JESUS Dontae | 0 - 5 | 4:00 | WAZ |
| C-42 | LONG Sean | 1 | 4 | DE JESUS Dontae | 0 - 10 | 2:34 | IPO |
| C-43 | YOUNG Keyano | 2 | 3 | MAHMOUD Ossama | 0 - 10 | 0:16 | IPO |

Competitors/Compétiteurs B

| # | Name/Nom | Club | 5 | 6 | 7 | W/G | Pts | Pos |
|---|-------------------|------------------|----|----|----|-----|-----|-----|
| 5 | DAMETTO Christian | Ajax Budokan | XX | | 10 | 1 | 10 | 2 |
| 6 | MAC FADYEN Liam | Takahashi Dojo | 1 | XX | 10 | 2 | 11 | 1 |
| 7 | CHEN William | Scarborough Dojo | | | XX | 0 | 0 | 3 |

Matches/Matches B

| Match | White/Blanc | | | Blue/Bleu | Res/Rés | Tim/Tmp | Code |
|-------|-------------------|---|---|-----------------|---------|---------|------|
| C-14 | DAMETTO Christian | 5 | 6 | MAC FADYEN Liam | 0 - 1 | 4:54 | GSD |
| C-30 | DAMETTO Christian | 5 | 7 | CHEN William | 10 - 0 | 5:06 | GSI |
| C-44 | MAC FADYEN Liam | 6 | 7 | CHEN William | 10 - 0 | 3:17 | IPO |



Results/Résultats

| Pos | Name/Nom |
|-----|--|
| 1 | MAHMOUD Ossama, Kaizen Judo Club |
| 2 | DE JESUS Dontae, Action and Reaction MMA |
| 3 | DAMETTO Christian, Ajax Budokan |
| 3 | MAC FADYEN Liam, Takahashi Dojo |

U21 Men -73kg

Competitors/Compétiteurs

| # | Name/Nom | Club | 1 | 2 | 3 | 4 | 5 | W/G | Pts | Pos |
|---|-----------------|--------------------|----|----|----|----|----|-----|-----|-----|
| 1 | YOUNG Keagan | Ajax Budokan | XX | 10 | 5 | 10 | 10 | 4 | 35 | 1 |
| 2 | ELLIS Brook | Jackpine Judo Club | | XX | | | | 0 | 0 | 5 |
| 3 | MAMAN Daniel | Taifu Judo Club | | 10 | XX | 10 | 5 | 3 | 25 | 2 |
| 4 | OPALEYCHUK Eric | Upper Canada | | 10 | | XX | 10 | 2 | 20 | 3 |
| 5 | ANDREWS Ben | Upper Canada | | 10 | | | XX | 1 | 10 | 4 |

Matches/Matches

| Match | White/Blanc | | | Blue/Bleu | Res/Rés | Tim/Tmp | Code |
|-------|------------------------|---|---|------------------------|---------|---------|------|
| A-6 | OPALEYCHUK Eric | 4 | 5 | ANDREWS Ben | 10 - 0 | 0:13 | IPO |
| A-8 | YOUNG Keagan | 1 | 2 | ELLIS Brook | 10 - 0 | 0:37 | IPO |
| A-11 | MAMAN Daniel | 3 | 4 | OPALEYCHUK Eric | 10 - 0 | 3:03 | IPO |
| A-13 | YOUNG Keagan | 1 | 5 | ANDREWS Ben | 10 - 0 | 1:43 | IPO |
| A-19 | ELLIS Brook | 2 | 3 | MAMAN Daniel | 0 - 10 | 2:11 | IPO |
| A-20 | YOUNG Keagan | 1 | 4 | OPALEYCHUK Eric | 10 - 0 | 1:56 | IPO |
| A-34 | MAMAN Daniel | 3 | 5 | ANDREWS Ben | 5 - 0 | 4:00 | WAZ |
| A-35 | ELLIS Brook | 2 | 4 | OPALEYCHUK Eric | 0 - 10 | 0:00 | IPO |
| A-50 | YOUNG Keagan | 1 | 3 | MAMAN Daniel | 5 - 0 | 4:00 | WAZ |
| A-51 | ELLIS Brook | 2 | 5 | ANDREWS Ben | 0 - 10 | 0:00 | IPO |

Results/Résultats

| Pos | Name/Nom |
|-----|-------------------------------|
| 1 | YOUNG Keagan, Ajax Budokan |
| 2 | MAMAN Daniel, Taifu Judo Club |
| 3 | OPALEYCHUK Eric, Upper Canada |
| 4 | ANDREWS Ben, Upper Canada |
| | |

U21 Men -81kg

Competitors/Compétiteurs

| # | Name/Nom | Club | 1 | 2 | 3 | W/G | Pts | Pos |
|---|--------------------|-------------------------|----|----|----|-----|-----|-----|
| 1 | VANDERSANDEN Ethan | Upper Canada | XX | | | 0 | 0 | 3 |
| 2 | BURT Samuel | Upper Canada | 10 | XX | 5 | 2 | 15 | 1 |
| 3 | CHORAN Solomon | The Art Of Balance Dojo | 10 | | XX | 1 | 10 | 2 |

Matches/Matches

| Match | White/Blanc | | | Blue/Bleu | Res/Rés | Tim/Tmp | Code |
|-------|--------------------|---|---|-----------------------|---------|---------|------|
| B-9 | VANDERSANDEN Ethan | 1 | 2 | BURT Samuel | 0 - 10 | 1:21 | IPO |
| B-25 | VANDERSANDEN Ethan | 1 | 3 | CHORAN Solomon | 0 - 10 | 0:00 | KIK |
| B-39 | BURT Samuel | 2 | 3 | CHORAN Solomon | 5 - 0 | 4:00 | WAZ |

Results/Résultats

| Pos | Name/Nom |
|-----|---|
| 1 | BURT Samuel, Upper Canada |
| 2 | CHORAN Solomon, The Art Of Balance Dojo |
| | |

U21 Men -90kg

Competitors/Compétiteurs

| # | Name/Nom | Club | 1 | 2 | 3 | W/G | Pts | Pos |
|---|--------------------|---------------------|----|----|----|-----|-----|-----|
| 1 | ANTIC Sava | Olympic Judo Centre | XX | | | 0 | 0 | 3 |
| 2 | KHATELISHVILI Luka | Olympic Judo Centre | 10 | XX | 10 | 2 | 20 | 1 |
| 3 | BECKER Rayleigh | JCCC Judo Kai | 10 | | XX | 1 | 10 | 2 |

Matches/Matches

| Match | White/Blanc | | | Blue/Bleu | Res/Rés | Tim/Tmp | Code |
|-------|---------------------------|---|---|---------------------------|---------|---------|------|
| C-9 | ANTIC Sava | 1 | 2 | KHATELISHVILI Luka | 0 - 10 | 5:19 | GSI |
| C-25 | ANTIC Sava | 1 | 3 | BECKER Rayleigh | 0 - 10 | 3:48 | HAN |
| C-39 | KHATELISHVILI Luka | 2 | 3 | BECKER Rayleigh | 10 - 0 | 2:39 | IPO |

Results/Résultats

| Pos | Name/Nom |
|-----|---|
| 1 | KHATELISHVILI Luka, Olympic Judo Centre |
| 2 | BECKER Rayleigh, JCCC Judo Kai |
| | |

U21 Men +100kg

Competitors/Compétiteurs

| # | Name/Nom | Club | 1 | 2 | 1 | 2 | 1 | 2 | W/G | Pts | Pos |
|---|---------------|------------------|----|----|----|----|----|----|-----|-----|-----|
| 1 | DORE Nicholas | Takahashi Dojo | XX | 5 | XX | 10 | XX | | 2 | 15 | 1 |
| 2 | POPOV Simon | Toronto Judo Kai | | XX | | XX | | XX | 0 | 0 | 2 |

Matches/Matches

| Match | White/Blanc | | | Blue/Bleu | Res/Rés | Tim/Tmp | Code |
|-------|----------------------|---|---|----------------------|---------|---------|------|
| C-19 | DORE Nicholas | 1 | 2 | POPOV Simon | 5 - 0 | 4:00 | WAZ |
| C-35 | POPOV Simon | 2 | 1 | DORE Nicholas | 0 - 10 | 0:39 | IPO |
| C-49 | DORE Nicholas | 1 | 2 | POPOV Simon | | | |

Results/Résultats

| Pos | Name/Nom |
|-----|-------------------------------|
| 1 | DORE Nicholas, Takahashi Dojo |
| | |

U21 Women -52kg

Competitors/Compétiteurs

| # | Name/Nom | Club | 1 | 2 | 1 | 2 | 1 | 2 | W/G | Pts | Pos |
|---|---------------|-----------------|----|----|----|----|----|----|-----|-----|-----|
| 1 | LACHAINE Aiko | Kyo Shi Do Kan | XX | | XX | | XX | | 0 | 0 | 2 |
| 2 | SPARKES Sarah | Asahi Judo Club | 10 | XX | 10 | XX | | XX | 2 | 20 | 1 |

Matches/Matches

| Match | White/Blanc | | | Blue/Bleu | Res/Rés | Tim/Tmp | Code |
|-------|---------------|---|---|---------------|---------|---------|------|
| C-24 | LACHAINE Aiko | 1 | 2 | SPARKES Sarah | 0 - 10 | 0:46 | IPO |
| C-38 | SPARKES Sarah | 2 | 1 | LACHAINE Aiko | 10 - 0 | 0:35 | IPO |
| C-54 | LACHAINE Aiko | 1 | 2 | SPARKES Sarah | | | |

Results/Résultats

| Pos | Name/Nom |
|-----|--------------------------------|
| 1 | SPARKES Sarah, Asahi Judo Club |
| | |

U21 Women -57kg

Competitors/Compétiteurs

| # | Name/Nom | Club | 1 | 2 | 1 | 2 | 1 | 2 | W/G | Pts | Pos |
|---|----------------|-----------------|----|----|----|----|----|----|-----|-----|-----|
| 1 | KRAPMAN Rachel | Upper Canada | XX | | XX | | XX | | 0 | 0 | 2 |
| 2 | LAU Rhiannon | York Judo & BJJ | 10 | XX | 10 | XX | 10 | XX | 3 | 30 | 1 |

Matches/Matches

| Match | White/Blanc | | | Blue/Bleu | Res/Rés | Tim/Tmp | Code |
|-------|----------------|---|---|----------------|---------|---------|------|
| B-22 | KRAPMAN Rachel | 1 | 2 | LAU Rhiannon | 0 - 10 | 0:00 | KIK |
| B-36 | LAU Rhiannon | 2 | 1 | KRAPMAN Rachel | 10 - 0 | 0:00 | KIK |
| B-52 | KRAPMAN Rachel | 1 | 2 | LAU Rhiannon | 0 - 10 | 0:00 | KIK |

Results/Résultats

| Pos | Name/Nom |
|-----|-------------------------------|
| 1 | LAU Rhiannon, York Judo & BJJ |
| | |

U21 Women -70kg

Competitors/Compétiteurs

| # | Name/Nom | Club | 1 | W/G | Pts | Pos |
|---|-------------------|---------------|----|-----|-----|-----|
| 1 | VENUGOPAL Madison | R.A Judo Club | XX | 0 | 0 | 1 |

Matches/Matches

| Match | White/Blanc | Blue/Bleu | Res/Rés | Tim/Tmp | Code |
|-------|-------------|-----------|---------|---------|------|
|-------|-------------|-----------|---------|---------|------|

Results/Résultats

| Pos | Name/Nom |
|-----|----------|
| | |