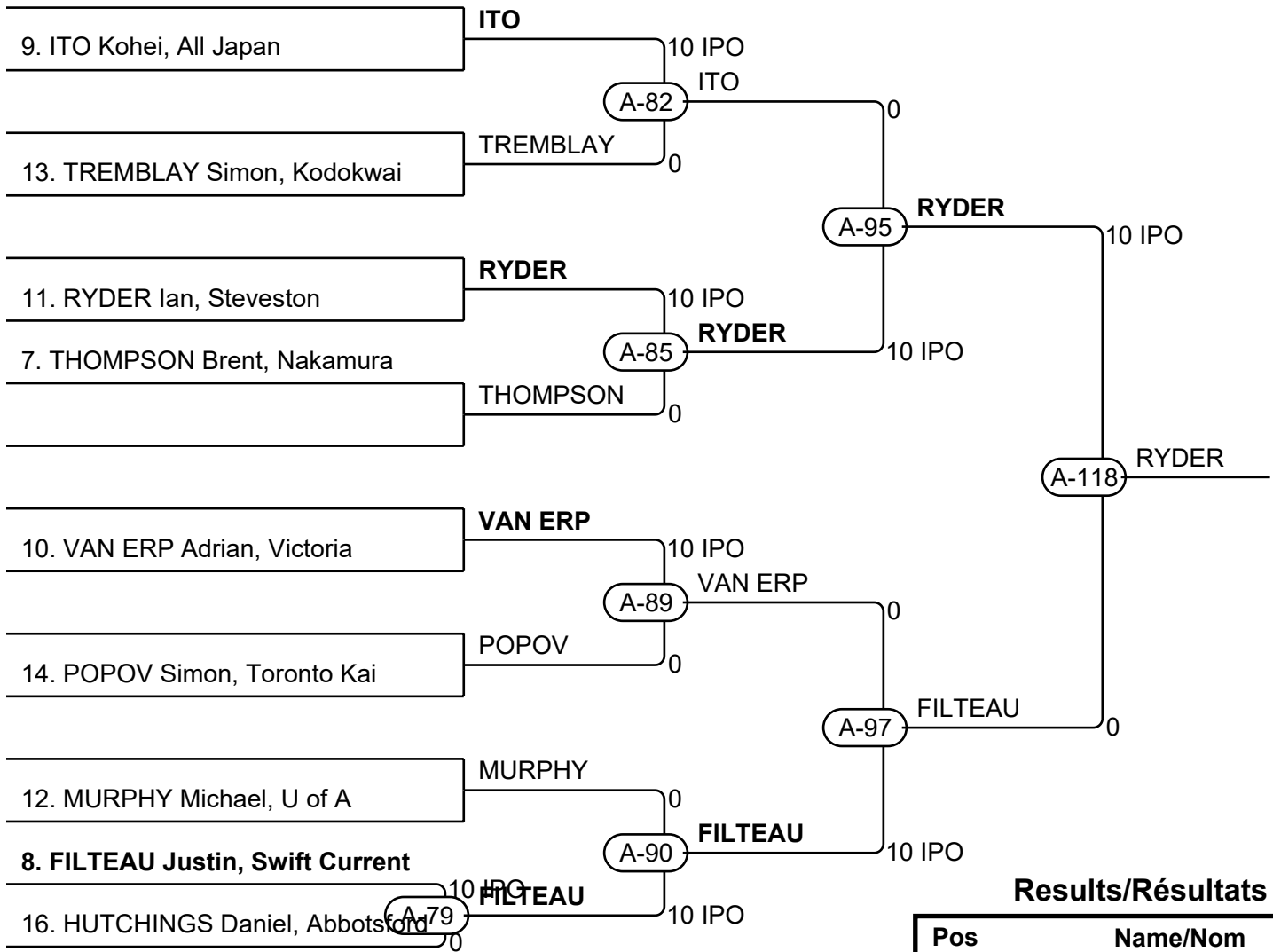
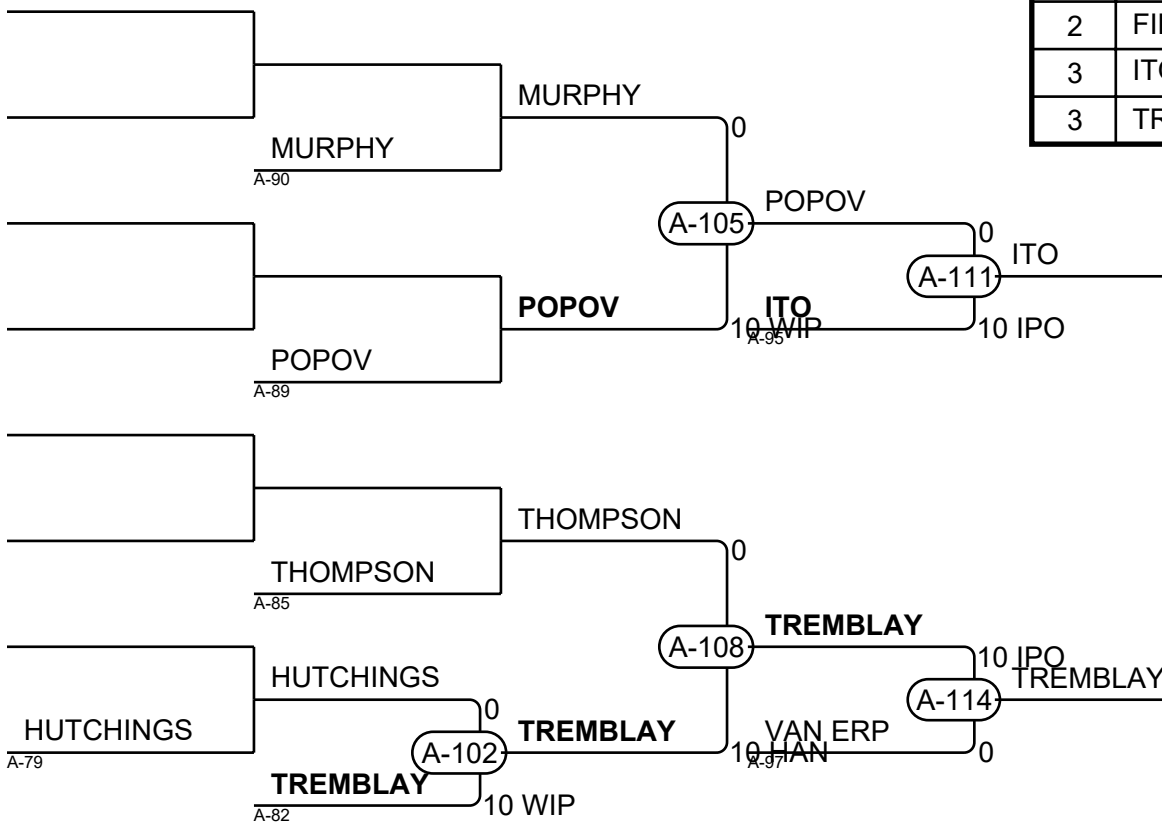


SMBB -100 kg



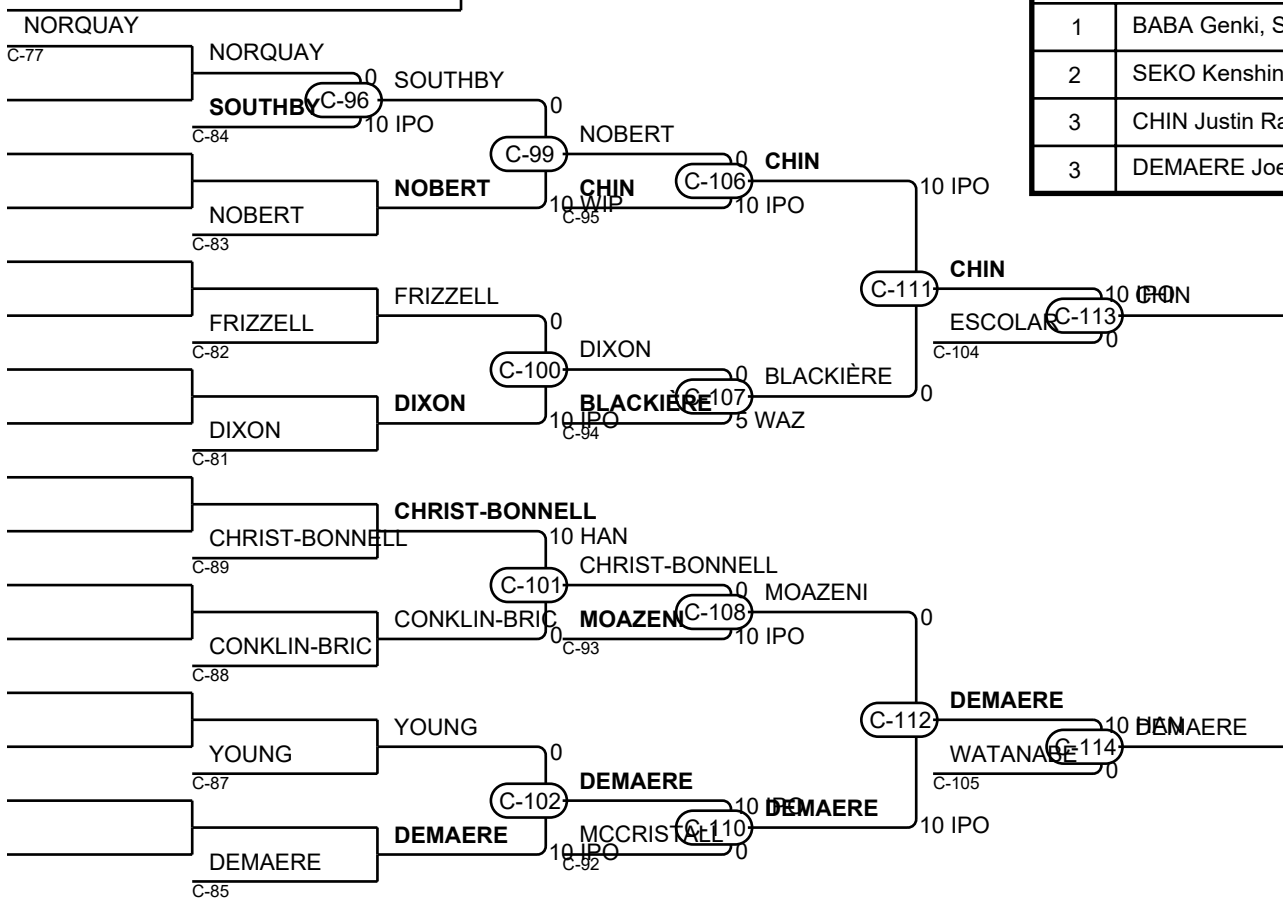
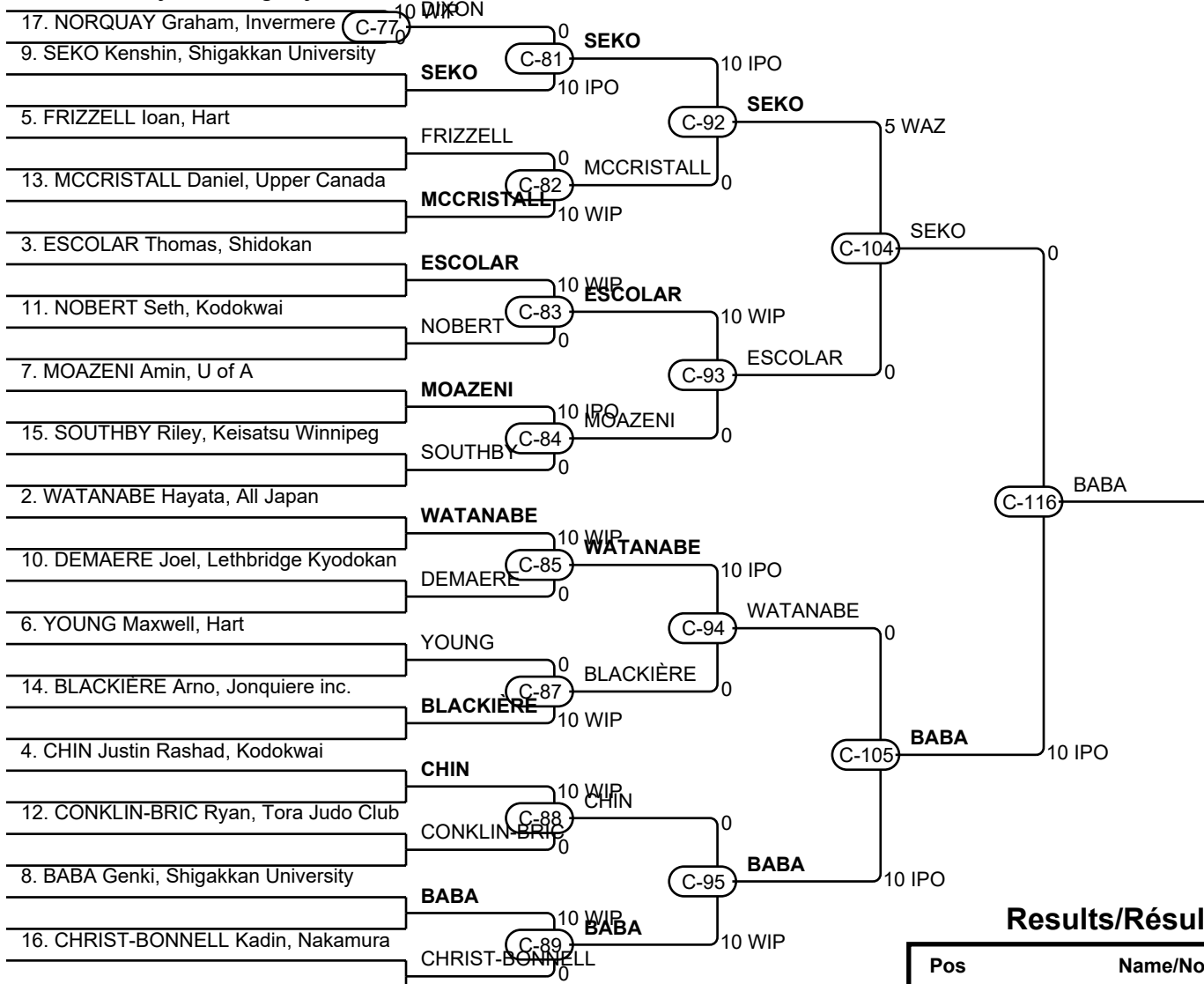
Results/Résultats

Pos	Name/Nom
1	RYDER Ian, Steveston
2	FILTEAU Justin, Swift Current
3	ITO Kohei, All Japan
3	TREMBLAY Simon, Kodokwai



SMBB -60 kg

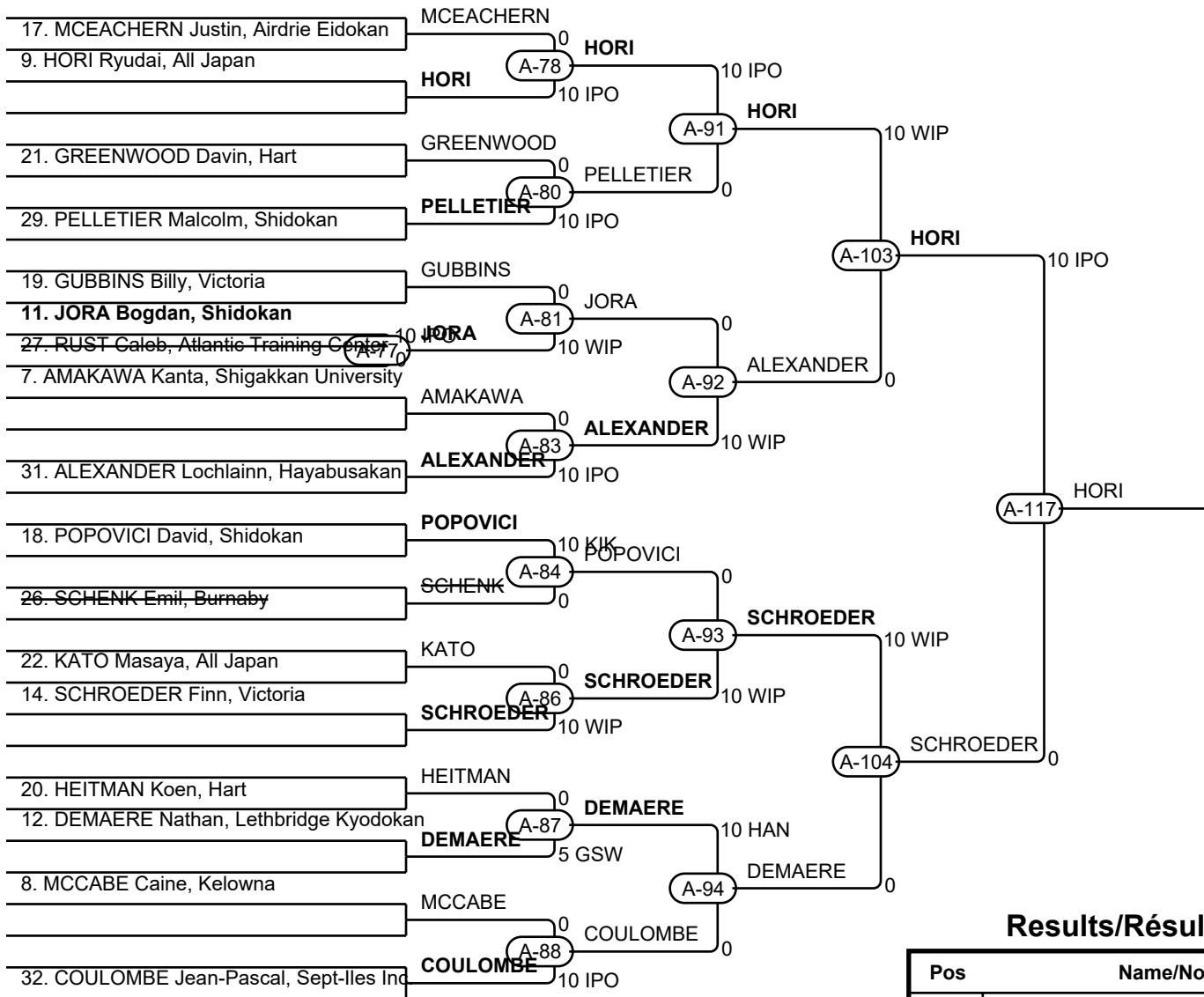
1. DIXON Brady, Lethbridge Kyodokan



Results/Résultats

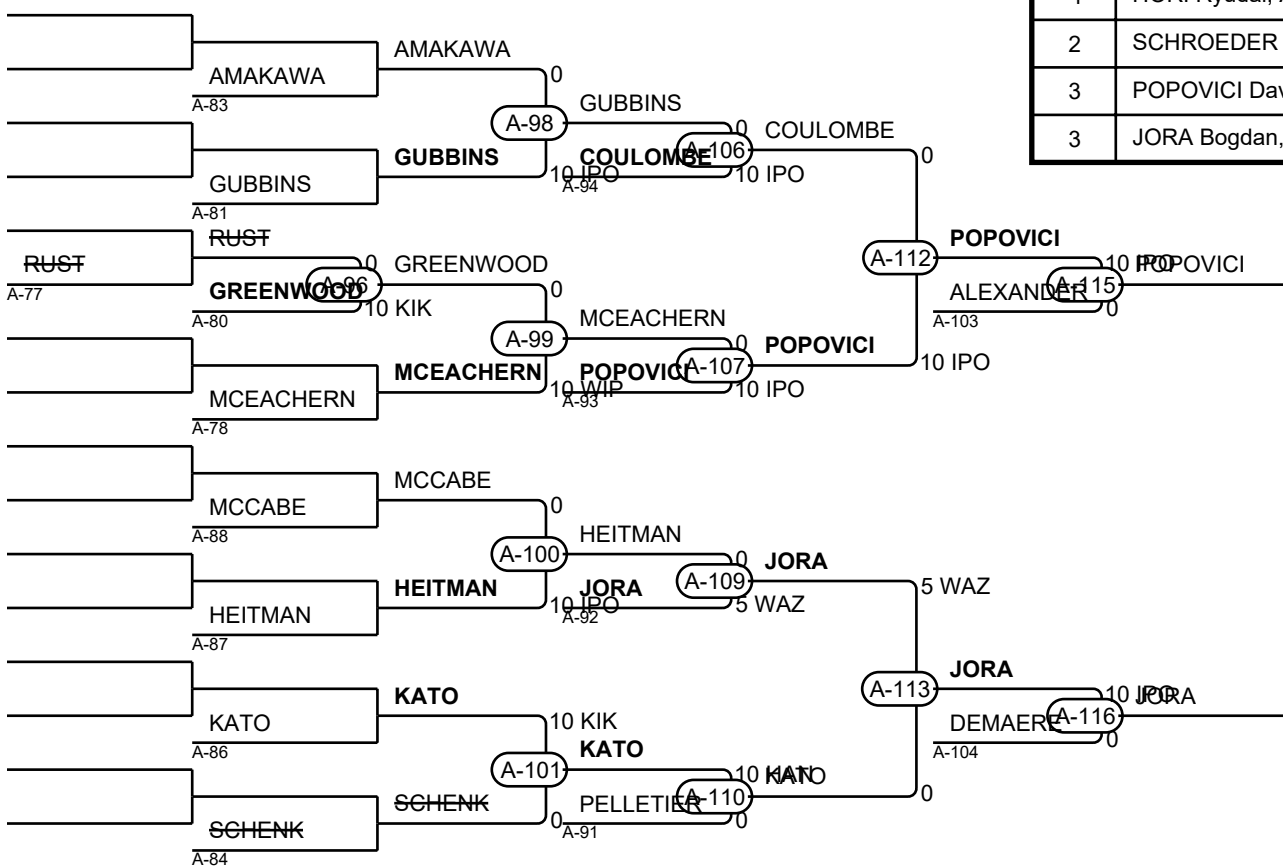
Pos	Name/Nom
1	BABA Genki, Shigakkan University
2	SEKO Kenshin, Shigakkan University
3	CHIN Justin Rashad, Kodokwai
3	DEMAERE Joel, Lethbridge Kyodokan

SMBB -66 kg

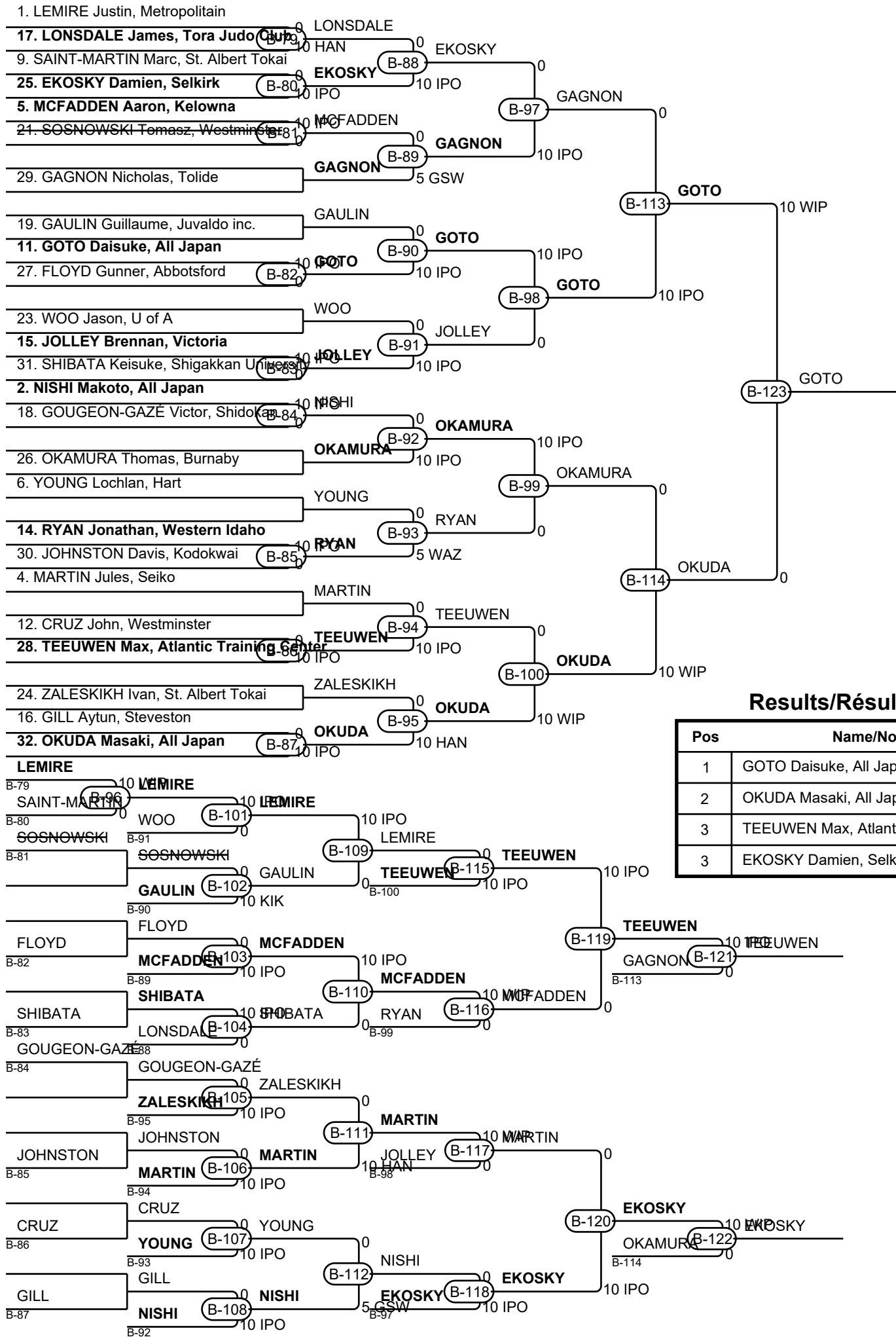


Results/Résultats

Pos	Name/Nom
1	HORI Ryudai, All Japan
2	SCHROEDER Finn, Victoria
3	POPOVICI David, Shidokan
3	JORA Bogdan, Shidokan

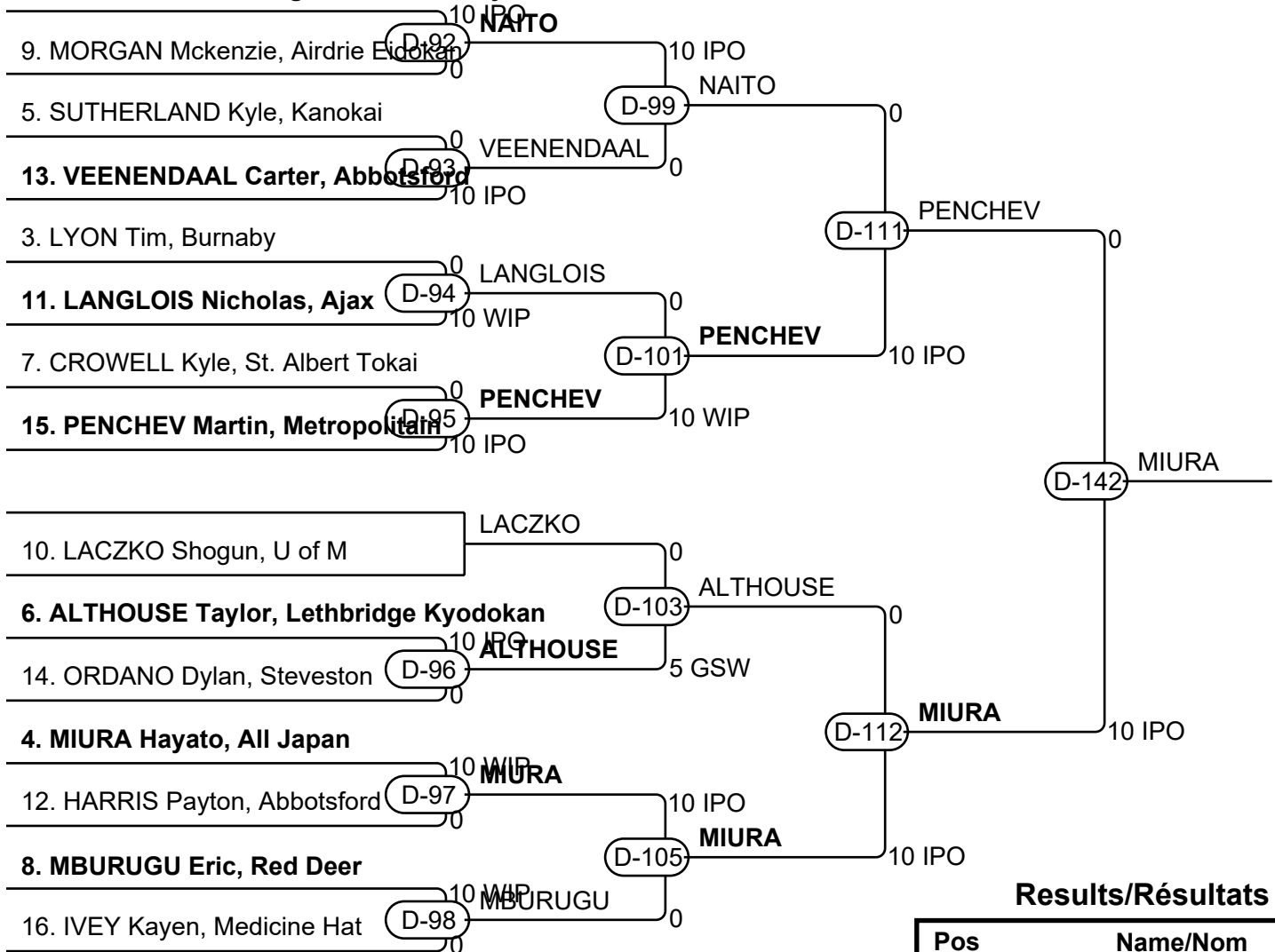


SMBB -73 kg



SMBB -81 kg

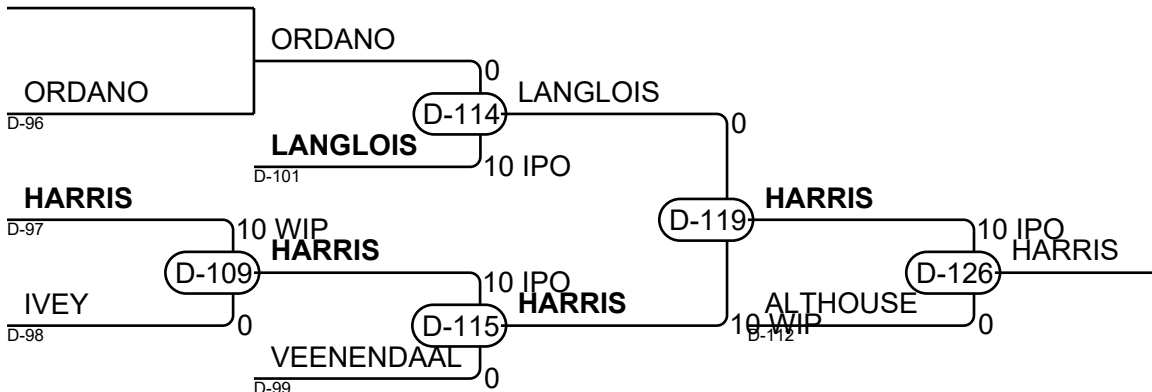
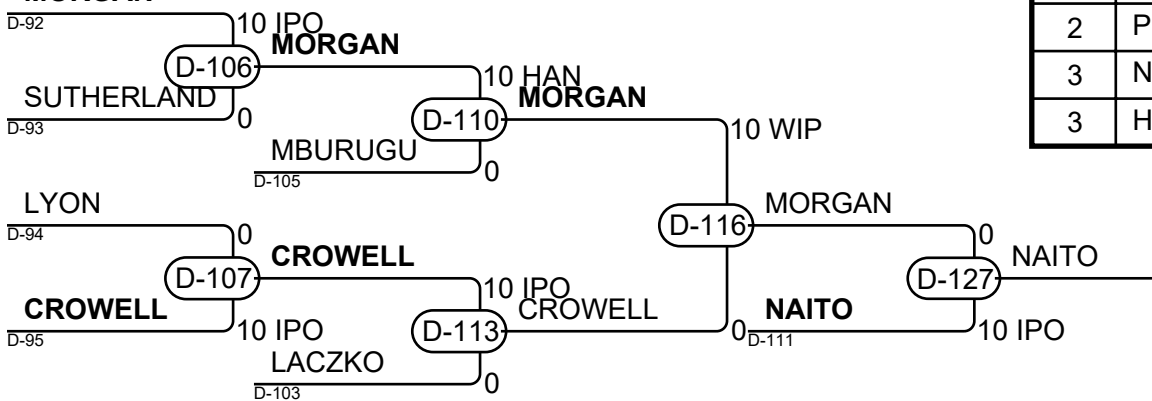
1. NAITO Akitoshi, Shigakkan University



Results/Résultats

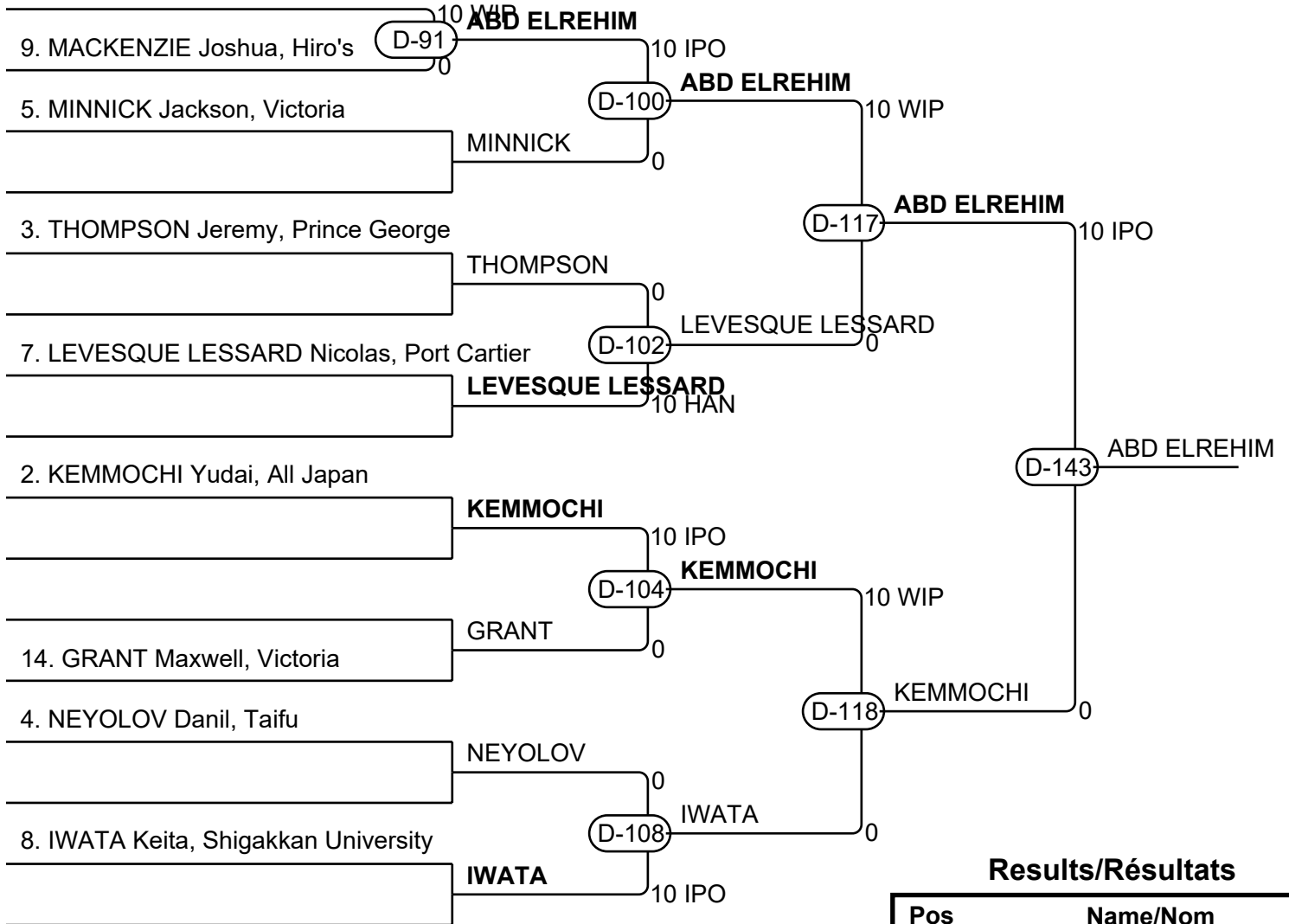
Pos	Name/Nom
1	MIURA Hayato, All Japan
2	PENCHEV Martin, Metropolitan
3	NAITO Akitoshi, Shigakkan University
3	HARRIS Payton, Abbotsford

MORGAN



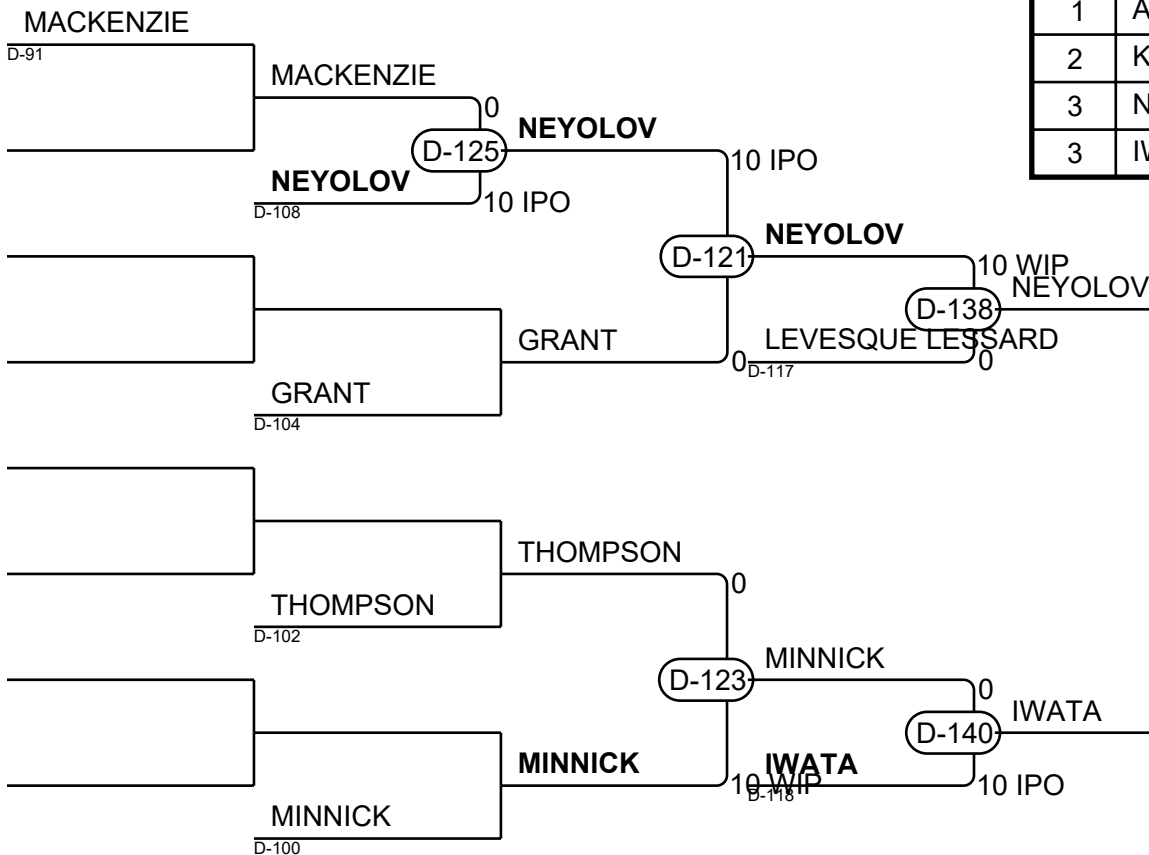
SMBB -90 kg

1. ABD ELREHIM Amr, Toronto Judo Kai



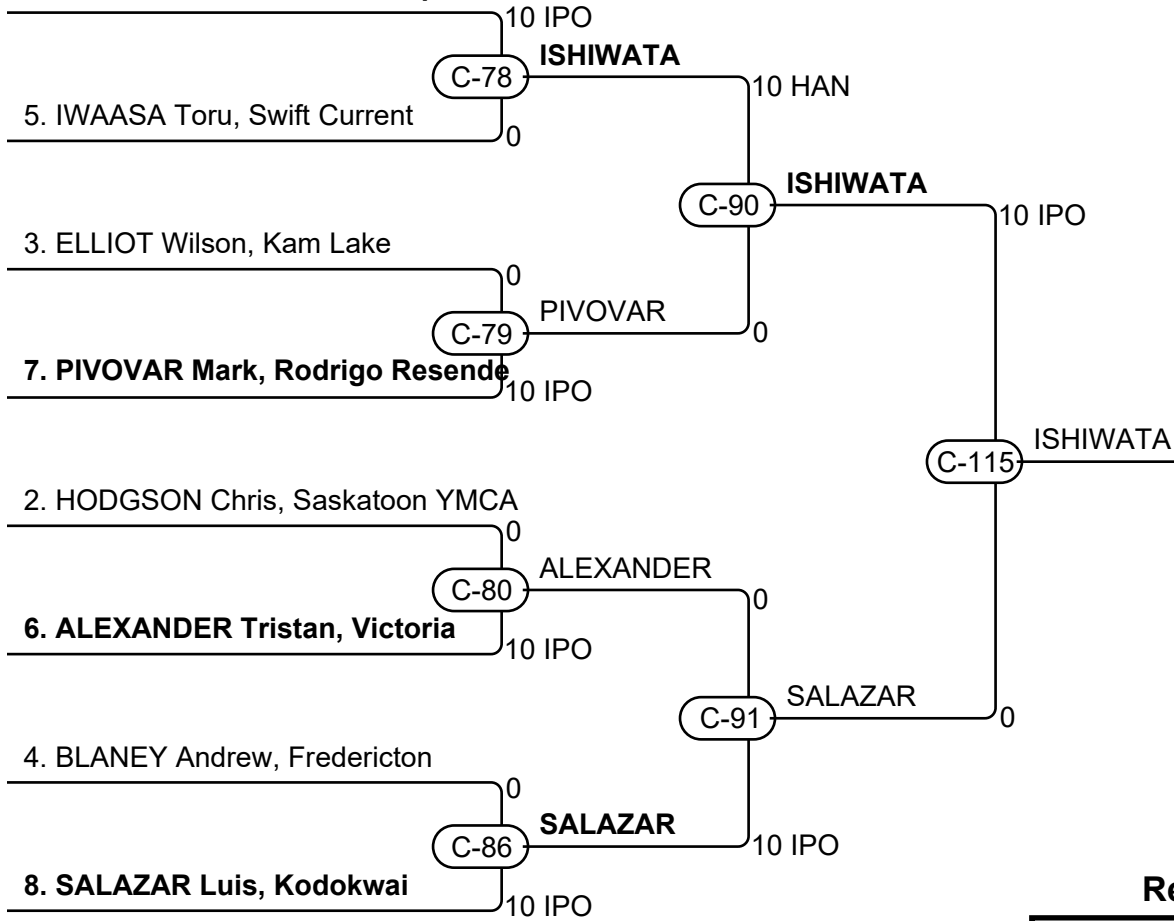
Results/Résultats

Pos	Name/Nom
1	ABD ELREHIM Amr, Toronto Judo Kai
2	KEMMOCHI Yudai, All Japan
3	NEYOLOV Danil, Taifu
3	IWATA Keita, Shigakkan University



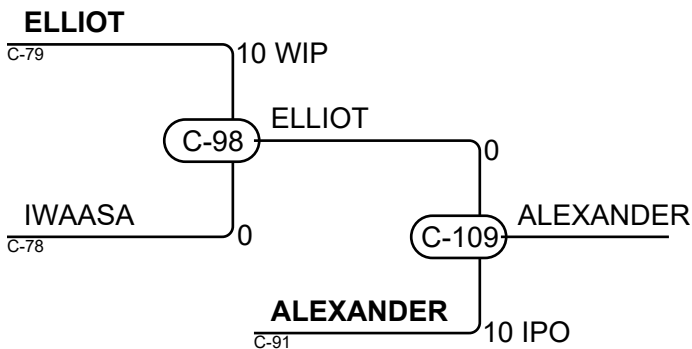
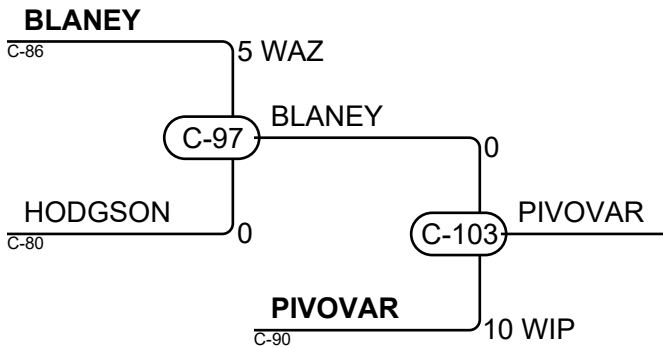
SMBB +100 kg

1. ISHIWATA Masahiro, All Japan



Results/Résultats

Pos	Name/Nom
1	ISHIWATA Masahiro, All Japan
2	SALAZAR Luis, Kodokwai
3	PIVOVAR Mark, Rodrigo Resende
3	ALEXANDER Tristan, Victoria



SMYB -100 kg

Competitors/Compétiteurs

#	Name/Nom	Club	1	2	3	4	W/G	Pts	Pos
1	RUPERT Danny	Tolide	XX		10	10	2	20	2
2	ORVOLD Nolan	Tokugawa	10	XX	10	10	3	30	1
3	MANN Joel	Creston			XX	10	1	10	3
4	FENG Xuezhou	U of A				XX	0	0	4

Matches/Matches

Match	White/Blanc			Blue/Bleu	Res/Rés	Tim/Tmp	Code
C-49	RUPERT Danny	1	2	ORVOLD Nolan	0 - 10	1:09	IPO
C-54	MANN Joel	3	4	FENG Xuezhou	10 - 0	1:36	IPO
C-60	RUPERT Danny	1	3	MANN Joel	10 - 0	0:50	IPO
C-64	ORVOLD Nolan	2	4	FENG Xuezhou	10 - 0	1:36	IPO
C-70	RUPERT Danny	1	4	FENG Xuezhou	10 - 0	1:12	WIP
C-75	ORVOLD Nolan	2	3	MANN Joel	10 - 0	0:10	IPO

Results/Résultats

Pos	Name/Nom
1	ORVOLD Nolan, Tokugawa
2	RUPERT Danny, Tolide
3	MANN Joel, Creston

SMYB -60 kg

Competitors/Compétiteurs

#	Name/Nom	Club	1	2	3	4	W/G	Pts	Pos
1	REYES TURINO Adrian	Hayabusa Training Centre	XX	10	10		2	20	2
2	ANAN Tymour	Hiro's		XX	10		1	10	3
3	BENOIT Patrick	Lloydminster			XX		0	0	4
4	KUYVENHOVEN Joshua	Victoria	10	10	10	XX	3	30	1

Matches/Matches

Match	White/Blanc			Blue/Bleu	Res/Rés	Tim/Tmp	Code
A-48	REYES TURINO Adrian	1	2	ANAN Tymour	10 - 0	0:31	IPO
A-53	BENOIT Patrick	3	4	KUYVENHOVEN Joshua	0 - 10	0:28	IPO
A-59	REYES TURINO Adrian	1	3	BENOIT Patrick	10 - 0	0:46	IPO
A-63	ANAN Tymour	2	4	KUYVENHOVEN Joshua	0 - 10	2:24	IPO
A-69	REYES TURINO Adrian	1	4	KUYVENHOVEN Joshua	0 - 10	1:38	HAN
A-75	ANAN Tymour	2	3	BENOIT Patrick	10 - 0	1:54	WIP

Results/Résultats

Pos	Name/Nom
1	KUYVENHOVEN Joshua, Victoria
2	REYES TURINO Adrian, Hayabusa Training Centre
3	ANAN Tymour, Hiro's

SMYB -73 kg

Competitors/Compétiteurs

#	Name/Nom	Club	1	2	3	4	5	W/G	Pts	Pos
1	BREZINOVA Adam	Ishi Yama	XX	10	10			2	20	2
2	RICHARDSON Kai	Williams Lake		XX				0	0	5
3	MYCROFT Christian	Moose Jaw Koseikan		10	XX		10	2	20	4
4	DUDAR Brett	Kodokwai	10	10	10	XX	10	4	40	1
5	O'BRIEN Kyle	Lethbridge Kyodokan	10	10			XX	2	20	3

Matches/Matches

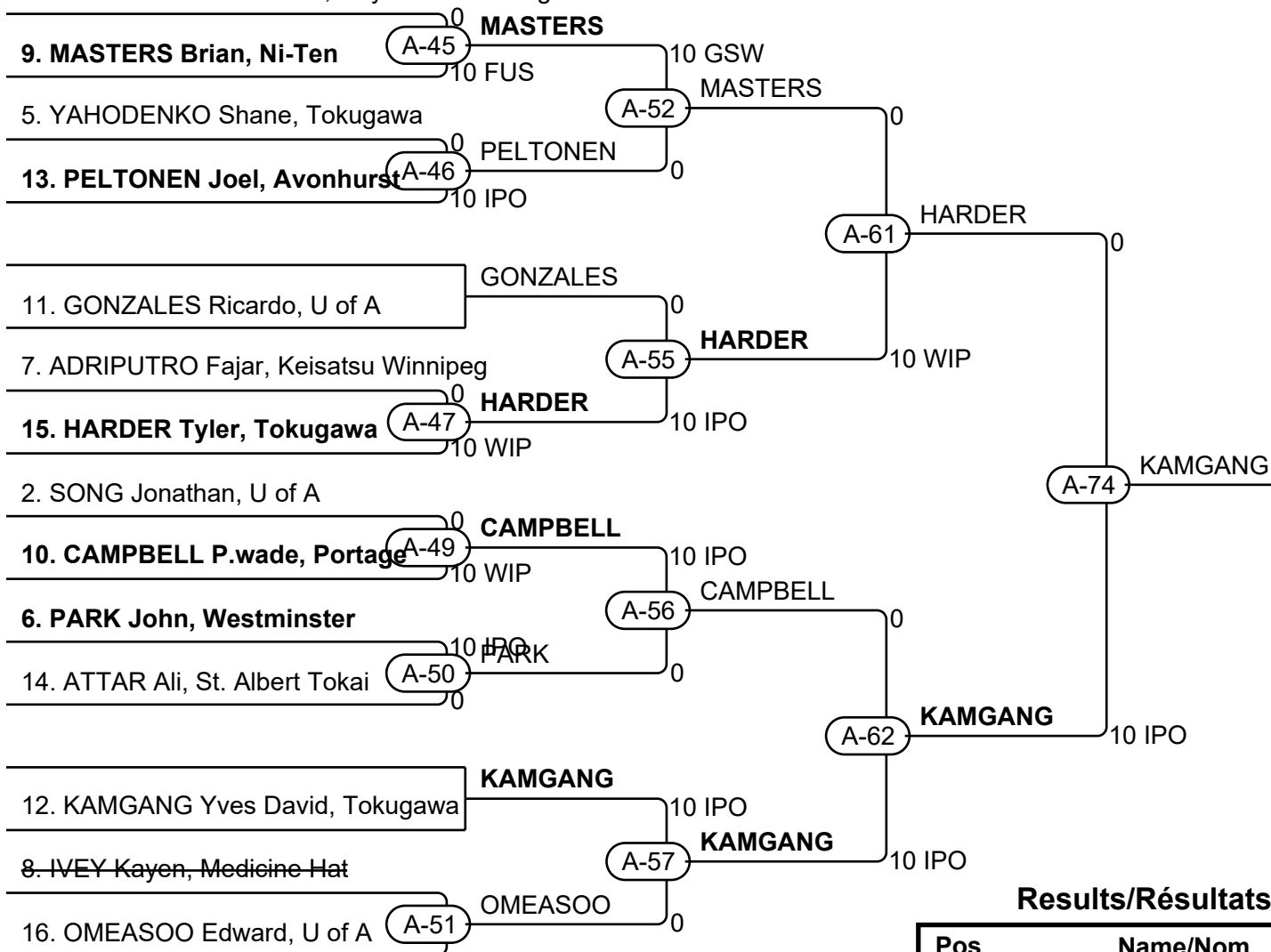
Match	White/Blanc			Blue/Bleu	Res/Rés	Tim/Tmp	Code
C-48	DUDAR Brett	4	5	O'BRIEN Kyle	10 - 0	1:32	IPO
C-51	BREZINOVA Adam	1	2	RICHARDSON Kai	10 - 0	1:01	IPO
C-53	MYCROFT Christian	3	4	DUDAR Brett	0 - 10	1:23	WIP
C-57	BREZINOVA Adam	1	5	O'BRIEN Kyle	0 - 10	2:52	IPO
C-59	RICHARDSON Kai	2	3	MYCROFT Christian	0 - 10	0:20	IPO
C-62	BREZINOVA Adam	1	4	DUDAR Brett	0 - 10	2:01	IPO
C-66	MYCROFT Christian	3	5	O'BRIEN Kyle	10 - 0	2:55	IPO
C-68	RICHARDSON Kai	2	4	DUDAR Brett	0 - 10	0:01	IPO
C-71	BREZINOVA Adam	1	3	MYCROFT Christian	10 - 0	1:36	IPO
C-73	RICHARDSON Kai	2	5	O'BRIEN Kyle	0 - 10	0:01	IPO

Results/Résultats

Pos	Name/Nom
1	DUDAR Brett, Kodokwai
2	BREZINOVA Adam, Ishi Yama
3	O'BRIEN Kyle, Lethbridge Kyodokan
4	MYCROFT Christian, Moose Jaw Koseikan

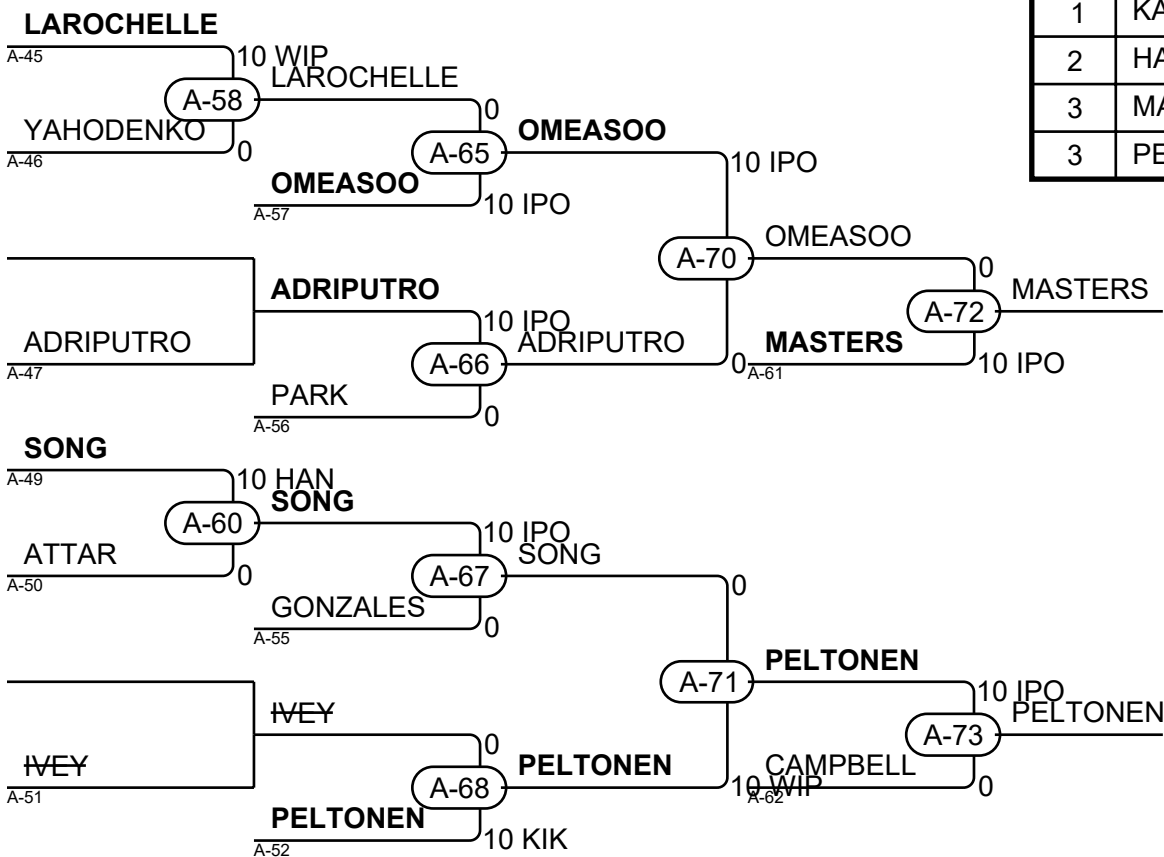
SMYB -81 kg

1. LAROCHELLE Christian, Hayabusa Training Centre

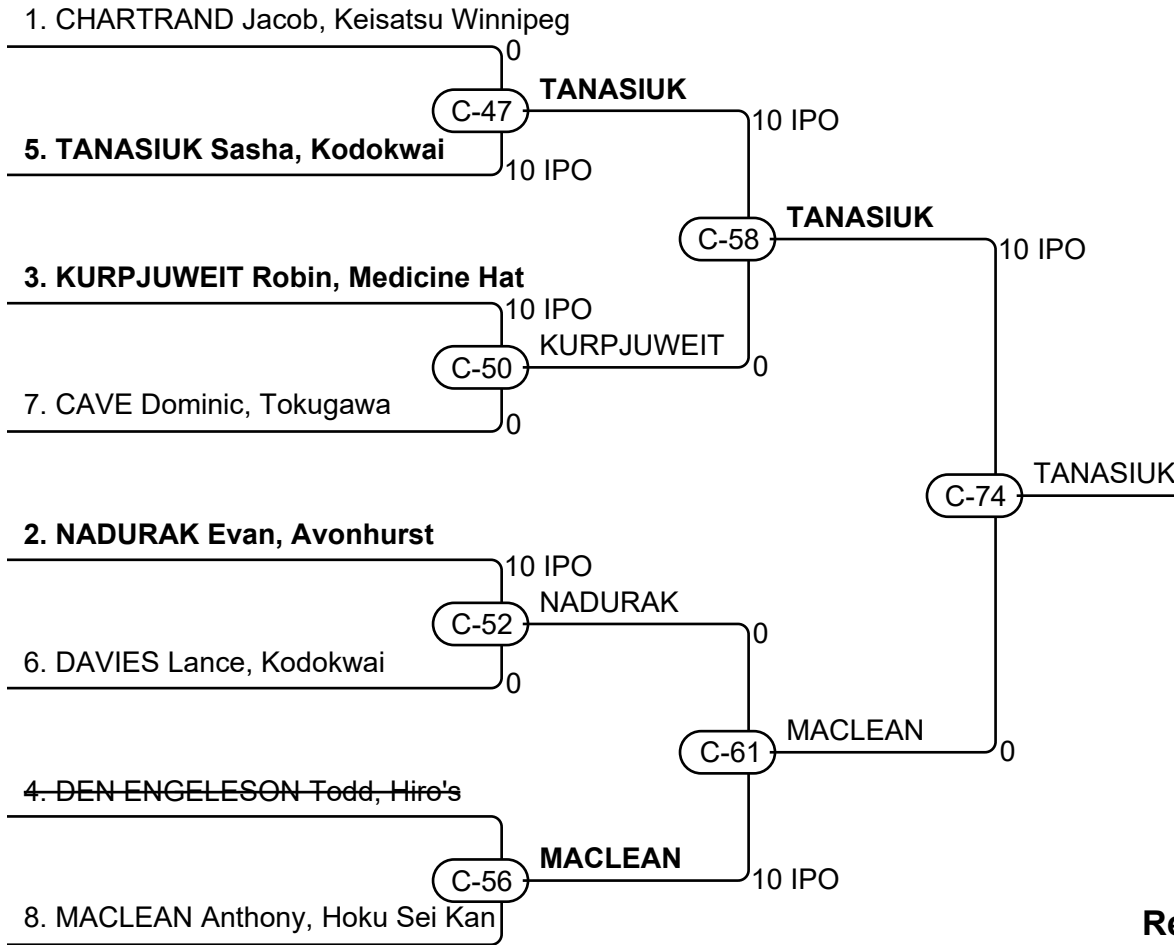


Results/Résultats

Pos	Name/Nom
1	KAMGANG Yves David, Tokugawa
2	HARDER Tyler, Tokugawa
3	MASTERS Brian, Ni-Ten
3	PELTONEN Joel, Avonhurst

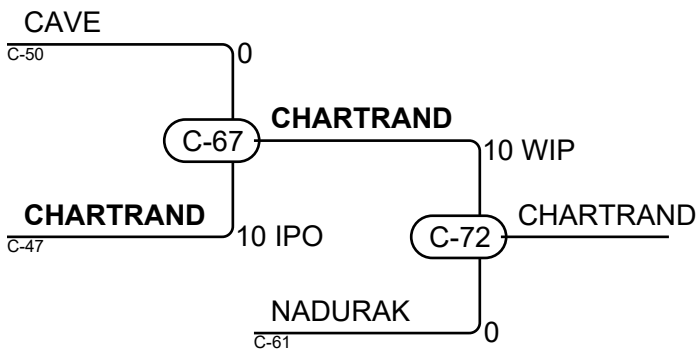
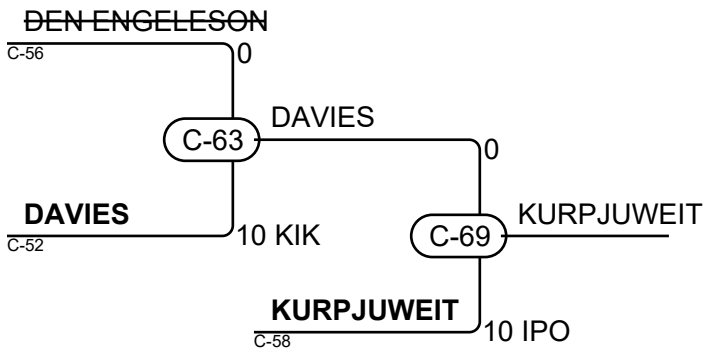


SMYB -90 kg



Results/Résultats

Pos	Name/Nom
1	TANASIUK Sasha, Kodokwai
2	MACLEAN Anthony, Hoku Sei Kan
3	KURPJUWEIT Robin, Medicine Hat
3	CHARTRAND Jacob, Keisatsu Winni



SMYB +100 kg

Competitors/Compétiteurs

#	Name/Nom	Club	1	2	3	W/G	Pts	Pos
1	COUGHLAN Craig	Hiro's	XX	10	10	2	20	1
2	ROSKEWICH Trevor	Invermere		XX		0	0	3
3	YANG Weiming	U of A		10	XX	1	10	2

Matches/Matches

Match	White/Blanc			Blue/Bleu	Res/Rés	Tim/Tmp	Code
A-54	COUGHLAN Craig	1	2	ROSKEWICH Trevor	10 - 0	1:22	WIP
A-64	COUGHLAN Craig	1	3	YANG Weiming	10 - 0	2:10	IPO
A-76	ROSKEWICH Trevor	2	3	YANG Weiming	0 - 10	1:47	IPO

Results/Résultats

Pos	Name/Nom
1	COUGHLAN Craig, Hiro's
2	YANG Weiming, U of A

SW -48 kg

Competitors/Compétiteurs A

#	Name/Nom	Club	1	2	3	W/G	Pts	Pos
1	CORBETT Brooke	Hart	XX			0	0	3
2	DANILKOV Klavdia	Burnaby	5	XX		1	5	2
3	TESANOVIC Emilija Ema	Ishi Yama	10	10	XX	2	20	1

Matches/Matches A

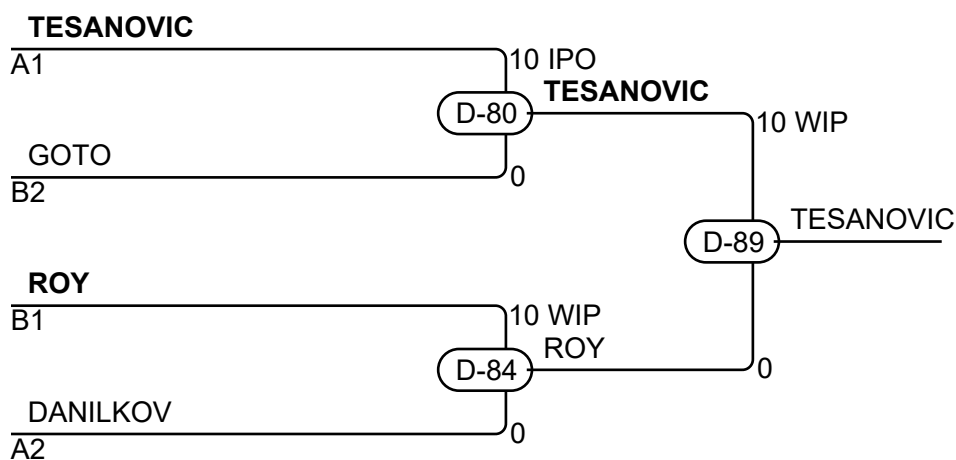
Match	White/Blanc			Blue/Bleu	Res/Rés	Tim/Tmp	Code
D-59	CORBETT Brooke	1	2	DANILKOV Klavdia	0 - 5	4:00	WAZ
D-65	CORBETT Brooke	1	3	TESANOVIC Emilija Ema	0 - 10	1:11	WIP
D-72	DANILKOV Klavdia	2	3	TESANOVIC Emilija Ema	0 - 10	1:59	IPO

Competitors/Compétiteurs B

#	Name/Nom	Club	4	5	6	W/G	Pts	Pos
4	GOTO Tami	Prince George	XX		10	1	10	2
5	ROY Léa	d'Asbestos-Dandeville	5	XX	10	2	15	1
6	KAMSTRA Kimiko	Hart			XX	0	0	3

Matches/Matches B

Match	White/Blanc			Blue/Bleu	Res/Rés	Tim/Tmp	Code
D-62	GOTO Tami	4	5	ROY Léa	0 - 5	7:03	GSW
D-70	GOTO Tami	4	6	KAMSTRA Kimiko	10 - 0	2:46	IPO
D-76	ROY Léa	5	6	KAMSTRA Kimiko	10 - 0	0:33	IPO



Results/Résultats

Pos	Name/Nom
1	TESANOVIC Emilija Ema, Ishi Yama
2	ROY Léa, d'Asbestos-Dandeville
3	GOTO Tami, Prince George
3	DANILKOV Klavdia, Burnaby

SW -52 kg

Competitors/Compétiteurs A

#	Name/Nom	Club	1	2	3	4	W/G	Pts	Pos
1	GRENIER Amélie	Shin Kan Laterriere	XX	10	10		2	20	2
2	HINTON Launa	Police Judo Junior		XX	10		1	10	3
3	MIKUTSU Momoko	All Japan			XX		0	0	4
4	KAEGI Lorena	Keisatsu Winnipeg	10	10	10	XX	3	30	1

Matches/Matchs A

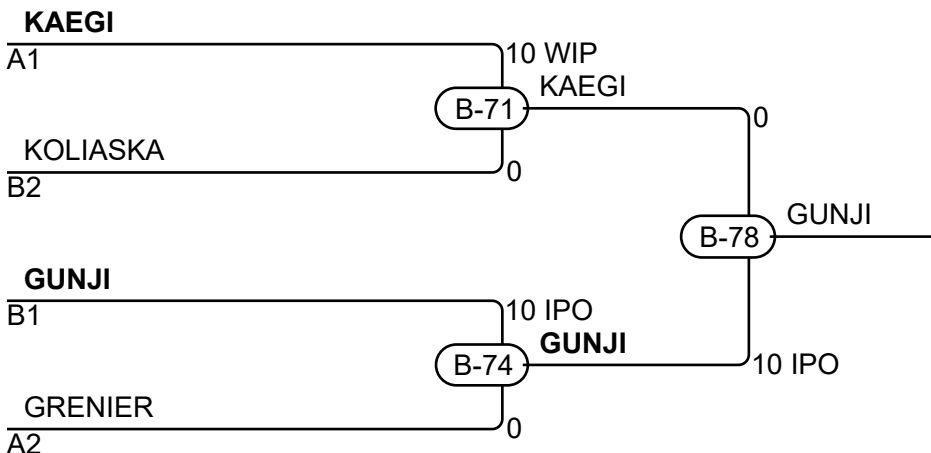
Match	White/Blanc			Blue/Bleu	Res/Rés	Tim/Tmp	Code
B-49	GRENIER Amélie	1	2	HINTON Launa	10 - 0	1:25	IPO
B-51	MIKUTSU Momoko	3	4	KAEGI Lorena	0 - 10	0:00	IPO
B-56	GRENIER Amélie	1	3	MIKUTSU Momoko	10 - 0	0:00	IPO
B-59	HINTON Launa	2	4	KAEGI Lorena	0 - 10	1:43	IPO
B-62	GRENIER Amélie	1	4	KAEGI Lorena	0 - 10	0:44	IPO
B-65	HINTON Launa	2	3	MIKUTSU Momoko	10 - 0	0:01	KIK

Competitors/Compétiteurs B

#	Name/Nom	Club	5	6	7	W/G	Pts	Pos
5	GUNJI Fuka	All Japan	XX	10	10	2	20	1
6	ZIGIC Nina	Nakamura		XX		0	0	3
7	KOLIASKA Taeya	Lethbridge Kyodokan		10	XX	1	10	2

Matches/Matchs B

Match	White/Blanc			Blue/Bleu	Res/Rés	Tim/Tmp	Code
B-53	GUNJI Fuka	5	6	ZIGIC Nina	10 - 0	0:36	IPO
B-61	GUNJI Fuka	5	7	KOLIASKA Taeya	10 - 0	2:01	IPO
B-68	ZIGIC Nina	6	7	KOLIASKA Taeya	0 - 10	0:56	IPO

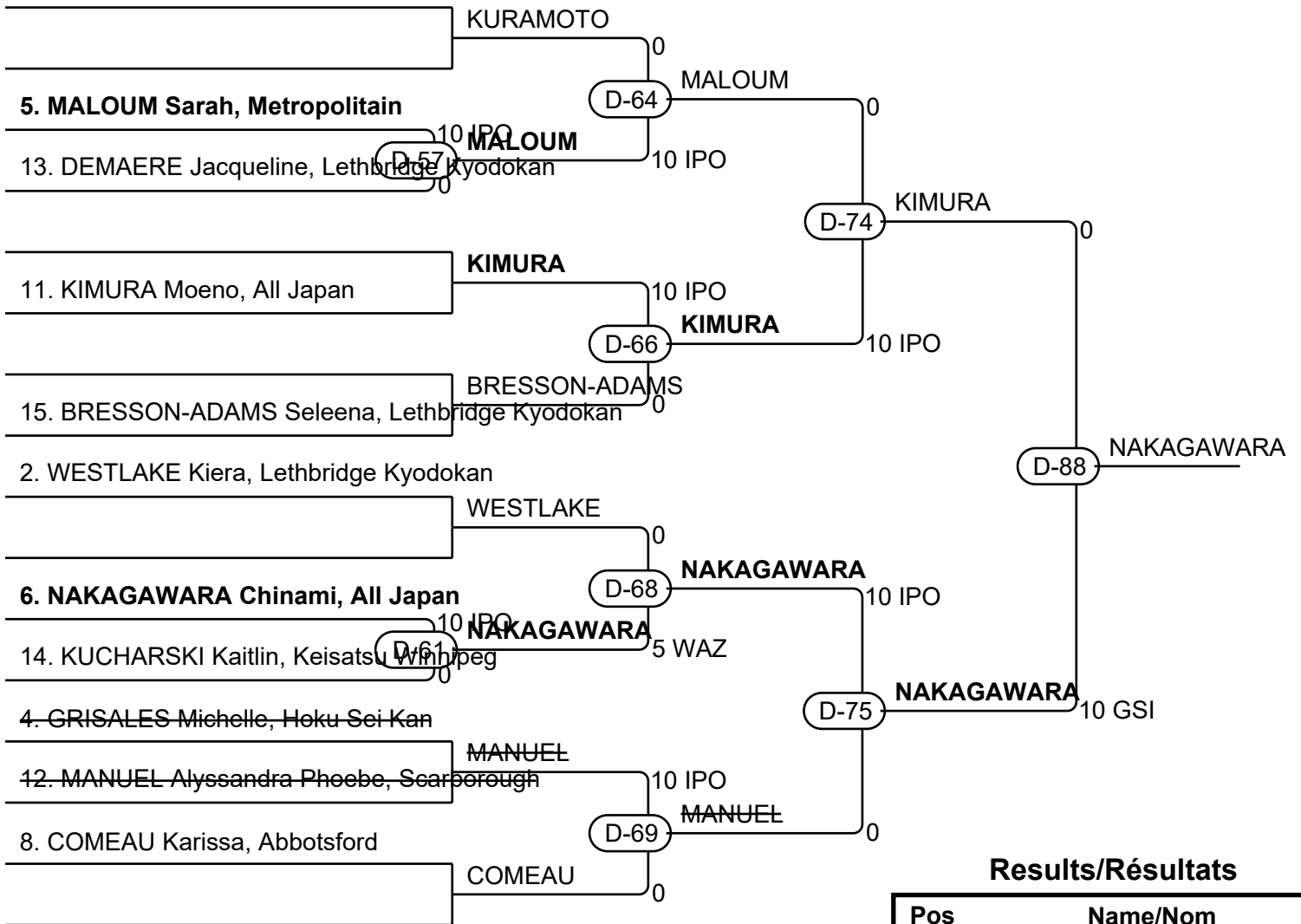


Results/Résultats

Pos	Name/Nom
1	GUNJI Fuka, All Japan
2	KAEGI Lorena, Keisatsu Winnipeg
3	KOLIASKA Taeya, Lethbridge Kyodokan
3	GRENIER Amélie, Shin Kan Laterriere

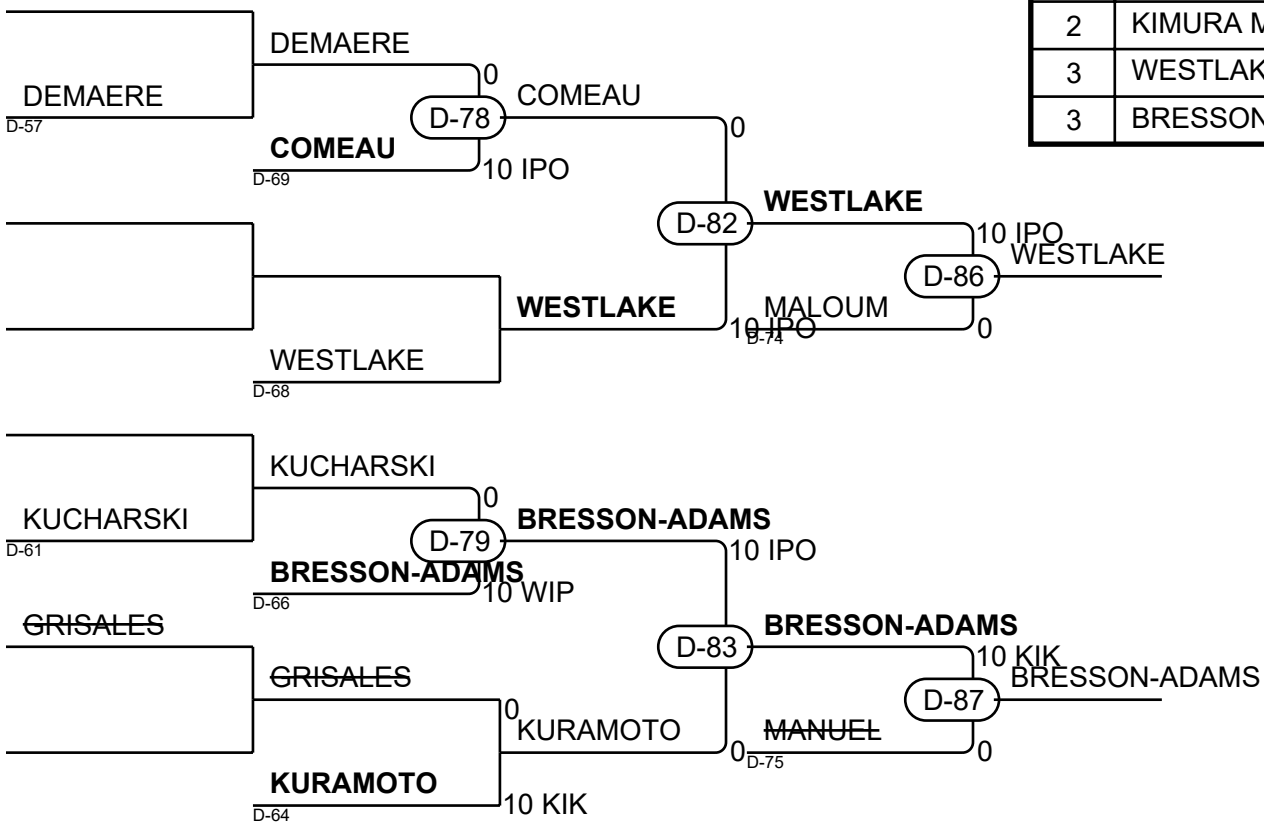
SW -57 kg

1. KURAMOTO Caleigh, Steveston

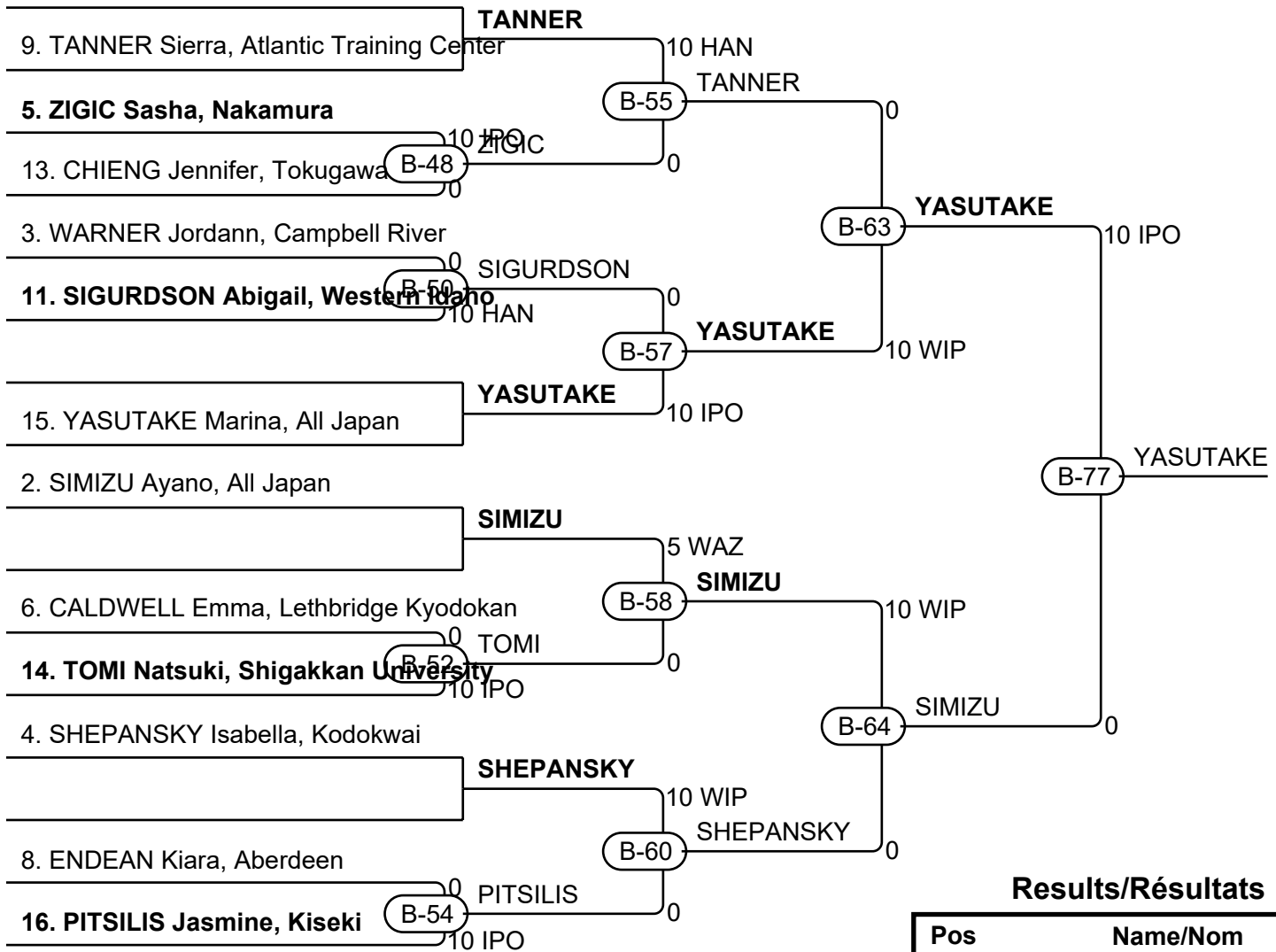


Results/Résultats

Pos	Name/Nom
1	NAKAGAWARA Chinami, All Japan
2	KIMURA Moeno, All Japan
3	WESTLAKE Kiera, Lethbridge Kyodo
3	BRESSON-ADAMS Seleena, Lethbric

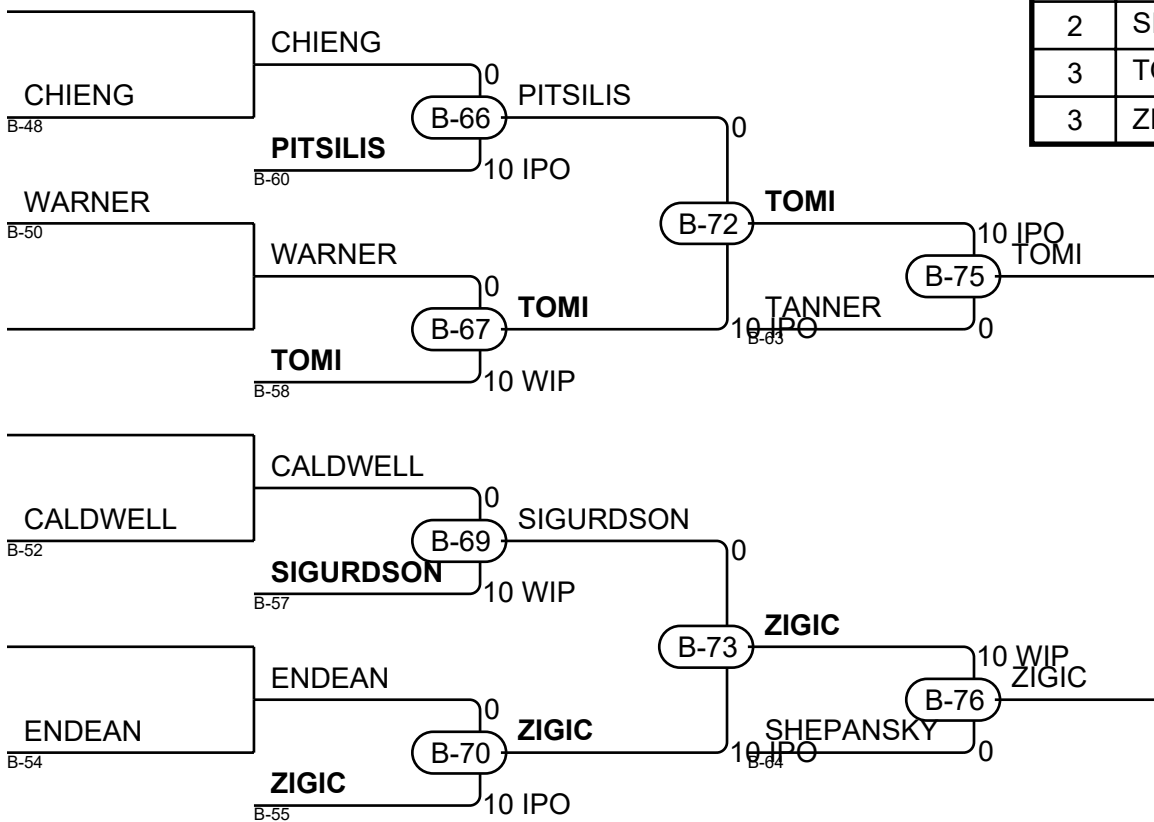


SW -63 kg



Results/Résultats

Pos	Name/Nom
1	YASUTAKE Marina, All Japan
2	SIMIZU Ayano, All Japan
3	TOMI Natsuki, Shigakkan University
3	ZIGIC Sasha, Nakamura



SW -78 kg

Competitors/Compétiteurs

#	Name/Nom	Club	1	2	3	4	5	W/G	Pts	Pos
1	JAMIESON Meghan	Steveston	XX	10	10			2	20	3
2	TROTTER Keira	Lethbridge Kyodokan		XX	10			1	10	4
3	NEUMAN Megan	Saskatoon YMCA			XX			0	0	5
4	TAROMARU Kaho	All Japan	5	10	10	XX	10	4	35	1
5	TAUCHI Risa	All Japan	10	10	10		XX	3	30	2

Matches/Matches

Match	White/Blanc	Blue/Bleu	Res/Rés	Tim/Tmp	Code
D-58	TAROMARU Kaho	4 5 TAUCHI Risa	10 - 0	3:35	IPO
D-60	JAMIESON Meghan	1 2 TROTTER Keira	10 - 0	3:31	HAN
D-63	NEUMAN Megan	3 4 TAROMARU Kaho	0 - 10	0:39	WIP
D-67	JAMIESON Meghan	1 5 TAUCHI Risa	0 - 10	1:53	IPO
D-71	TROTTER Keira	2 3 NEUMAN Megan	10 - 0	3:59	WIP
D-73	JAMIESON Meghan	1 4 TAROMARU Kaho	0 - 5	4:45	GSW
D-77	NEUMAN Megan	3 5 TAUCHI Risa	0 - 10	0:26	IPO
D-81	TROTTER Keira	2 4 TAROMARU Kaho	0 - 10	0:45	WIP
D-85	JAMIESON Meghan	1 3 NEUMAN Megan	10 - 0	1:25	WIP
D-90	TROTTER Keira	2 5 TAUCHI Risa	0 - 10	0:30	WIP

Results/Résultats

Pos	Name/Nom
1	TAROMARU Kaho, All Japan
2	TAUCHI Risa, All Japan
3	JAMIESON Meghan, Steveston
4	TROTTER Keira, Lethbridge Kyodokan

SW +78 kg

Competitors/Compétiteurs

#	Name/Nom	Club	1	2	3	W/G	Pts	Pos
1	FLESHER Andrea	Tokugawa	XX			0	0	3
2	VALLEJO Chelys	Saskatoon YMCA	10	XX	10	2	20	1
3	ULRICH Samantha	West Kildonan	10		XX	1	10	2

Matches/Matches

Match	White/Blanc			Blue/Bleu	Res/Rés	Tim/Tmp	Code
C-55	FLESHER Andrea	1	2	VALLEJO Chelys	0 - 10	0:16	IPO
C-65	FLESHER Andrea	1	3	ULRICH Samantha	0 - 10	0:19	IPO
C-76	VALLEJO Chelys	2	3	ULRICH Samantha	10 - 0	1:18	IPO

Results/Résultats

Pos	Name/Nom
1	VALLEJO Chelys, Saskatoon YMCA
2	ULRICH Samantha, West Kildonan

U16F -44 kg

Competitors/Compétiteurs

#	Name/Nom	Club	1	2	3	4	5	W/G	Pts	Pos
1	SANZANA Dakota	Nanaimo	XX	10	5			2	15	3
2	DANILKOV Ekaterina	Burnaby		XX	10			1	10	4
3	MCCRISTALL Angelina	Upper Canada			XX			0	0	5
4	IWAASA Brynn	Lethbridge Kyodokan	10	10	10	XX		3	30	2
5	BEATON Evelyn	Lethbridge Kyodokan	10	10	10	5	XX	4	35	1

Matches/Matches

Match	White/Blanc	Blue/Bleu	Res/Rés	Tim/Tmp	Code
D-12	IWAASA Brynn 4 5	BEATON Evelyn	0 - 5	3:00	WAZ
D-18	SANZANA Dakota 1 2	DANILKOV Ekaterina	10 - 0	2:53	IPO
D-24	MCCRISTALL Angelina 3 4	IWAASA Brynn	0 - 10	0:57	IPO
D-30	SANZANA Dakota 1 5	BEATON Evelyn	0 - 10	1:49	IPO
D-36	DANILKOV Ekaterina 2 3	MCCRISTALL Angelina	10 - 0	0:09	IPO
D-41	SANZANA Dakota 1 4	IWAASA Brynn	0 - 10	1:15	WIP
D-43	MCCRISTALL Angelina 3 5	BEATON Evelyn	0 - 10	2:36	WIP
D-47	DANILKOV Ekaterina 2 4	IWAASA Brynn	0 - 10	2:15	WIP
D-50	SANZANA Dakota 1 3	MCCRISTALL Angelina	5 - 0	4:20	GSW
D-54	DANILKOV Ekaterina 2 5	BEATON Evelyn	0 - 10	0:12	IPO

Results/Résultats

Pos	Name/Nom
1	BEATON Evelyn, Lethbridge Kyodokan
2	IWAASA Brynn, Lethbridge Kyodokan
3	SANZANA Dakota, Nanaimo
4	DANILKOV Ekaterina, Burnaby

U16F -48 kg

Competitors/Compétiteurs A

#	Name/Nom	Club	1	2	3	4	W/G	Pts	Pos
1	KOLIASKA Aliya	Lethbridge Kyodokan	XX			10	1	10	3
2	MEDILO Charlize	Hiro's	5	XX	10	10	3	25	1
3	BONDT Nadine	Vernon	10		XX	10	2	20	2
4	IRWIN Paige	Vibank				XX	0	0	4

Matches/Matchs A

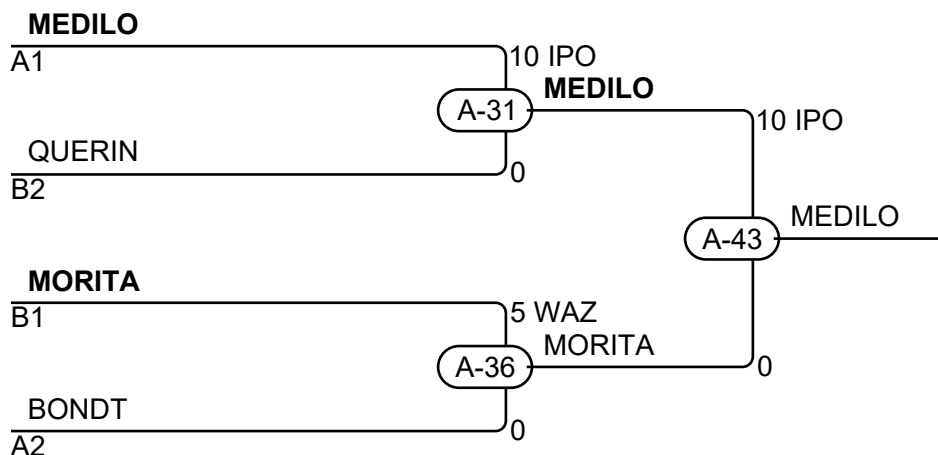
Match	White/Blanc	Blue/Bleu	Res/Rés	Tim/Tmp	Code
A-3	KOLIASKA Aliya 1 2	MEDILO Charlize	0 - 5	3:29	GSW
A-6	BONDT Nadine 3 4	IRWIN Paige	10 - 0	0:52	WIP
A-9	KOLIASKA Aliya 1 3	BONDT Nadine	0 - 10	1:15	IPO
A-15	MEDILO Charlize 2 4	IRWIN Paige	10 - 0	1:01	IPO
A-20	KOLIASKA Aliya 1 4	IRWIN Paige	10 - 0	0:47	IPO
A-25	MEDILO Charlize 2 3	BONDT Nadine	10 - 0	0:58	IPO

Competitors/Compétiteurs B

#	Name/Nom	Club	5	6	7	W/G	Pts	Pos
5	BESSEY Emmily	Yaruki	XX			0	0	3
6	QUERIN Mackenzie	Hoku Sei Kan	10	XX		1	10	2
7	MORITA Ayumi	Police Judo Junior	10	10	XX	2	20	1

Matches/Matchs B

Match	White/Blanc	Blue/Bleu	Res/Rés	Tim/Tmp	Code
A-7	BESSEY Emmily 5 6	QUERIN Mackenzie	0 - 10	0:51	WIP
A-19	BESSEY Emmily 5 7	MORITA Ayumi	0 - 10	0:09	IPO
A-28	QUERIN Mackenzie 6 7	MORITA Ayumi	0 - 10	1:39	WIP

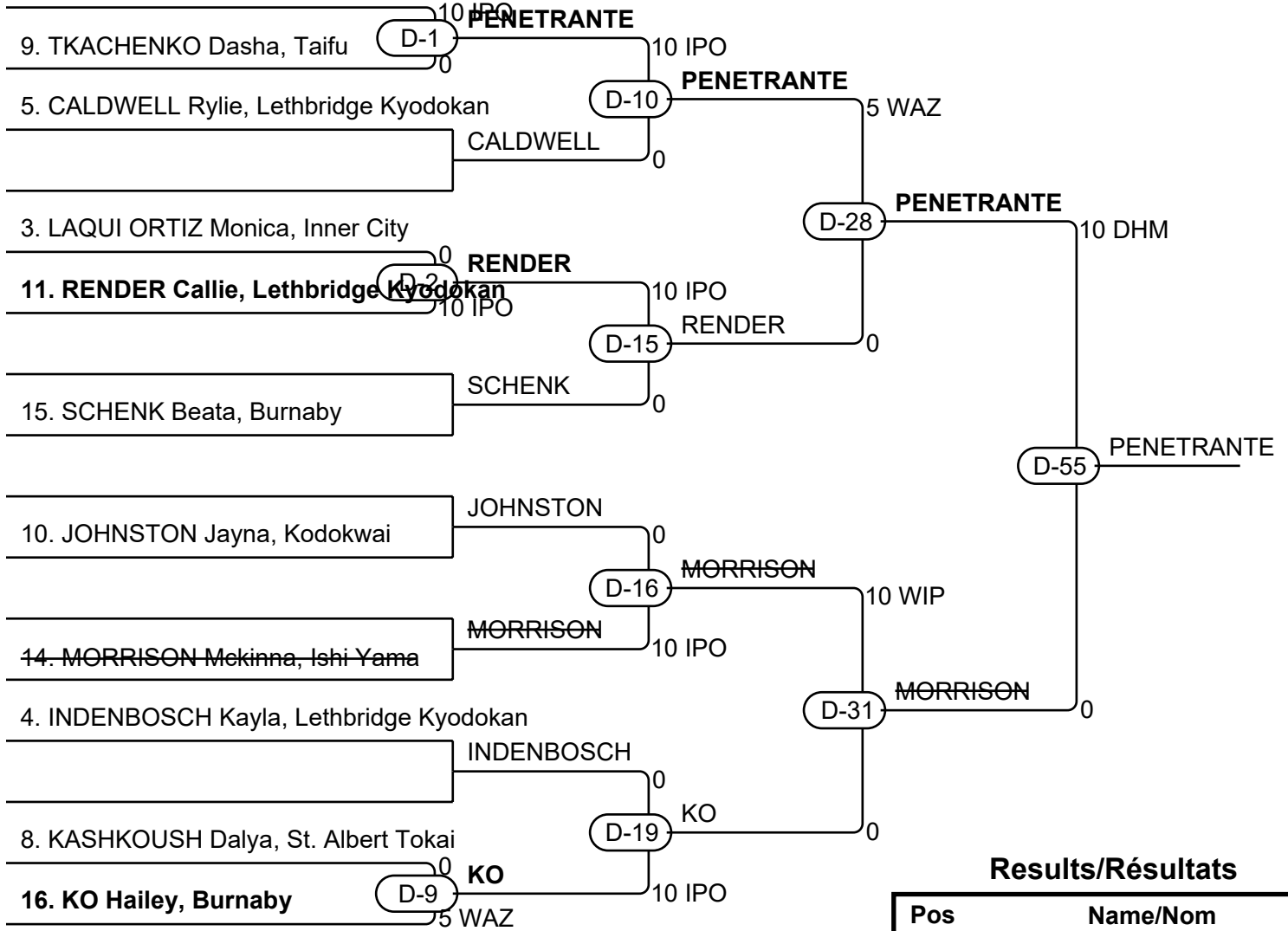


Results/Résultats

Pos	Name/Nom
1	MEDILO Charlize, Hiro's
2	MORITA Ayumi, Police Judo Junior
3	QUERIN Mackenzie, Hoku Sei Kan
3	BONDT Nadine, Vernon

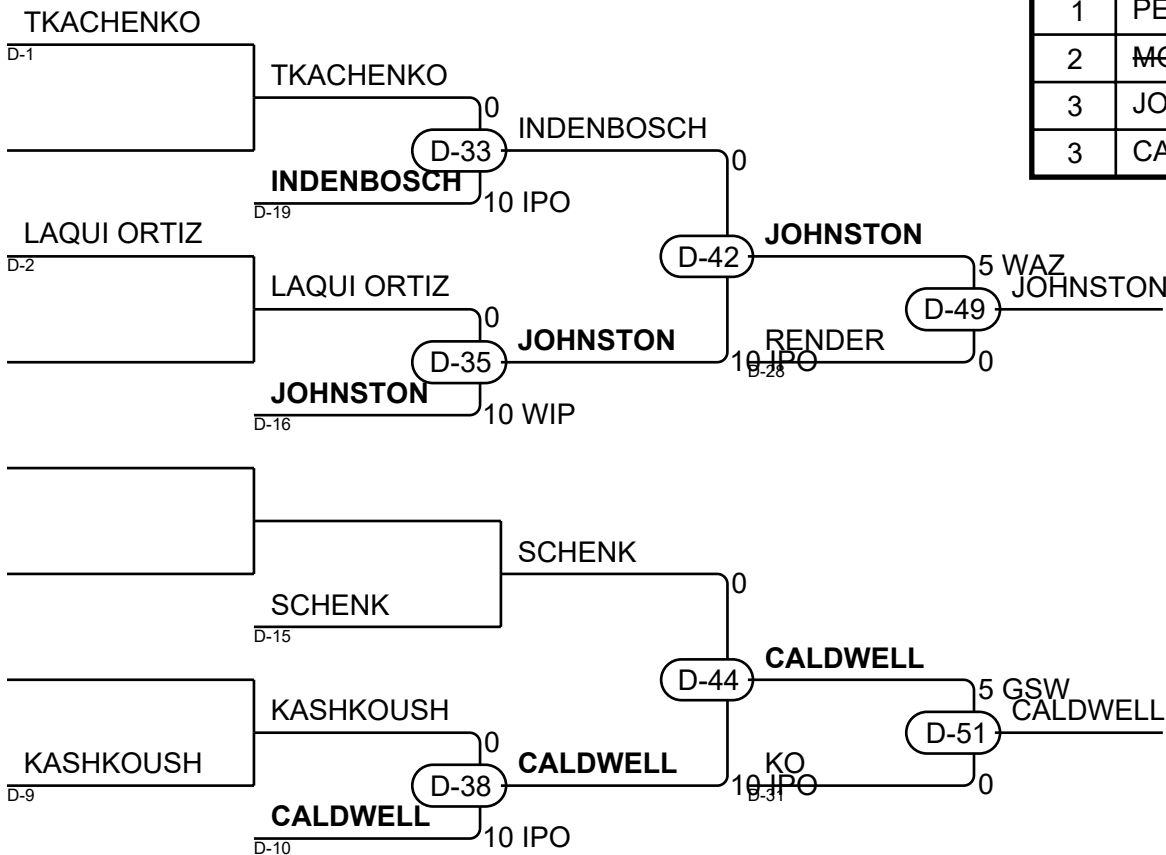
U16F -52 kg

1. PENETRANTE Cienna, St. Albert Tokai



Results/Résultats

Pos	Name/Nom
1	PENETRANTE Cienna, St. Albert Tokai
2	MORRISON Mekinna, Ishi Yama
3	JOHNSTON Jayna, Kodokwai
3	CALDWELL Rylie, Lethbridge Kyodokan



U16F -57 kg

Competitors/Compétiteurs A

#	Name/Nom	Club	1	2	3	4	W/G	Pts	Pos
1	ALLEN Katherine	Lethbridge Kyodokan	XX			10	1	10	3
2	BLOCH-HANSEN Brooklyn	Lloydminster	10	XX		10	2	20	2
3	EKOSKY Sarah	Selkirk	10	10	XX	10	3	30	1
4	FRANSON Brooklyn	Saskatoon YMCA				XX	0	0	4

Matches/Matches A

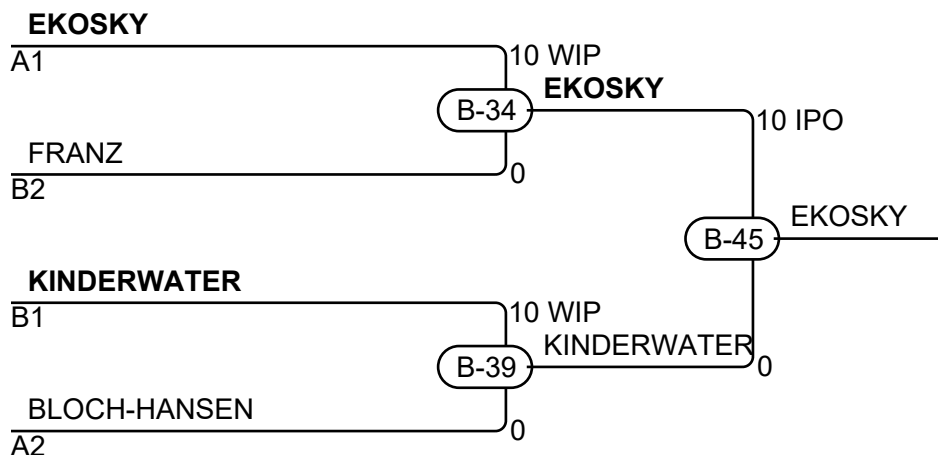
Match	White/Blanc	Blue/Bleu	Res/Rés	Tim/Tmp	Code
B-4	ALLEN Katherine 1 2	BLOCH-HANSEN Brooklyn	0 - 10	0:50	IPO
B-6	EKOSKY Sarah 3 4	FRANSON Brooklyn	10 - 0	0:11	IPO
B-10	ALLEN Katherine 1 3	EKOSKY Sarah	0 - 10	1:27	WIP
B-17	BLOCH-HANSEN Brooklyn 2 4	FRANSON Brooklyn	10 - 0	0:01	KIK
B-21	ALLEN Katherine 1 4	FRANSON Brooklyn	10 - 0	0:01	KIK
B-25	BLOCH-HANSEN Brooklyn 2 3	EKOSKY Sarah	0 - 10	0:42	IPO

Competitors/Compétiteurs B

#	Name/Nom	Club	5	6	7	W/G	Pts	Pos
5	GIRVIN Molly	Campbell River	XX			0	0	3
6	FRANZ Jill	Red Deer	10	XX		1	10	2
7	KINDERWATER Sydney	Hoku Sei Kan	10	10	XX	2	20	1

Matches/Matches B

Match	White/Blanc	Blue/Bleu	Res/Rés	Tim/Tmp	Code
B-7	GIRVIN Molly 5 6	FRANZ Jill	0 - 10	0:12	IPO
B-20	GIRVIN Molly 5 7	KINDERWATER Sydney	0 - 10	0:01	IPO
B-32	FRANZ Jill 6 7	KINDERWATER Sydney	0 - 10	0:44	IPO



Results/Résultats

Pos	Name/Nom
1	EKOSKY Sarah, Selkirk
2	KINDERWATER Sydney, Hoku Sei Kan
3	FRANZ Jill, Red Deer
3	BLOCH-HANSEN Brooklyn, Lloydminster

U16F -63 kg

Competitors/Compétiteurs A

#	Name/Nom	Club	1	2	3	4	W/G	Pts	Pos
1	SANZANA Makayla	Nanaimo	XX		10		1	10	3
2	VARSAANYI Miya	Lethbridge Kyodokan	10	XX			1	10	2
3	FRANSON Deziree	Saskatoon YMCA		5	XX		1	5	4
4	VILLA Rebecca	Nakamura	10	10	10	XX	3	30	1

Matches/Matches A

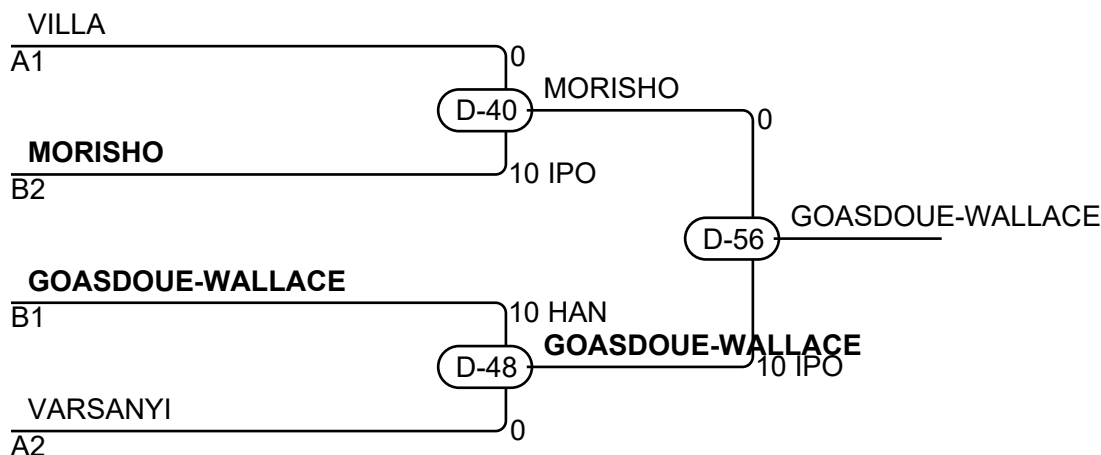
Match	White/Blanc		Blue/Bleu	Res/Rés	Tim/Tmp	Code
D-3	SANZANA Makayla	1 2	VARSAANYI Miya	0 - 10	3:00	HAN
D-5	FRANSON Deziree	3 4	VILLA Rebecca	0 - 10	2:43	WIP
D-11	SANZANA Makayla	1 3	FRANSON Deziree	10 - 0	2:34	HAN
D-17	VARSAANYI Miya	2 4	VILLA Rebecca	0 - 10	1:44	IPO
D-27	SANZANA Makayla	1 4	VILLA Rebecca	0 - 10	4:33	GSI
D-32	VARSAANYI Miya	2 3	FRANSON Deziree	0 - 5	3:00	WAZ

Competitors/Compétiteurs B

#	Name/Nom	Club	5	6	7	W/G	Pts	Pos
5	MORISHO Nyota	Victoria	XX		10	1	10	2
6	GOASDOUE-WALLACE Greta	Hiro's	10	XX	10	2	20	1
7	MORLAND Estelle	Nanaimo			XX	0	0	3

Matches/Matches B

Match	White/Blanc		Blue/Bleu	Res/Rés	Tim/Tmp	Code
D-7	MORISHO Nyota	5 6	GOASDOUE-WALLACE Greta	0 - 10	2:09	IPO
D-23	MORISHO Nyota	5 7	MORLAND Estelle	10 - 0	0:18	IPO
D-37	GOASDOUE-WALLACE Greta	6 7	MORLAND Estelle	10 - 0	0:19	IPO



Results/Résultats

Pos	Name/Nom
1	GOASDOUE-WALLACE Greta, Hiro's
2	MORISHO Nyota, Victoria
3	VILLA Rebecca, Nakamura
3	VARSAANYI Miya, Lethbridge Kyodokan

U16F -70 kg

Competitors/Compétiteurs

#	Name/Nom	Club	1	2	3	W/G	Pts	Pos
1	SEITZ Mattea	Hoku Sei Kan	XX		10	1	10	2
2	LOWENSTEIN Jade	Penticton	10	XX	5	2	15	1
3	MCGARRY Avery	Lloydminster			XX	0	0	3

Matches/Matches

Match	White/Blanc			Blue/Bleu	Res/Rés	Tim/Tmp	Code
B-12	SEITZ Mattea	1	2	LOWENSTEIN Jade	0 - 10	2:35	WIP
B-27	SEITZ Mattea	1	3	MCGARRY Avery	10 - 0	1:39	IPO
B-47	LOWENSTEIN Jade	2	3	MCGARRY Avery	5 - 0	3:00	WAZ

Results/Résultats

Pos	Name/Nom
1	LOWENSTEIN Jade, Penticton
2	SEITZ Mattea, Hoku Sei Kan

U16M -38 kg

Competitors/Compétiteurs

#	Name/Nom	Club	1	2	3	4	W/G	Pts	Pos
1	FRIZELL Linus	Hart	XX	10			1	10	3
2	YON Peyton	Hart		XX			0	0	4
3	BROWN Hugo	Hiro's	10	10	XX		2	20	2
4	FABBRO Daniel	Creston	10	10	10	XX	3	30	1

Matches/Matches

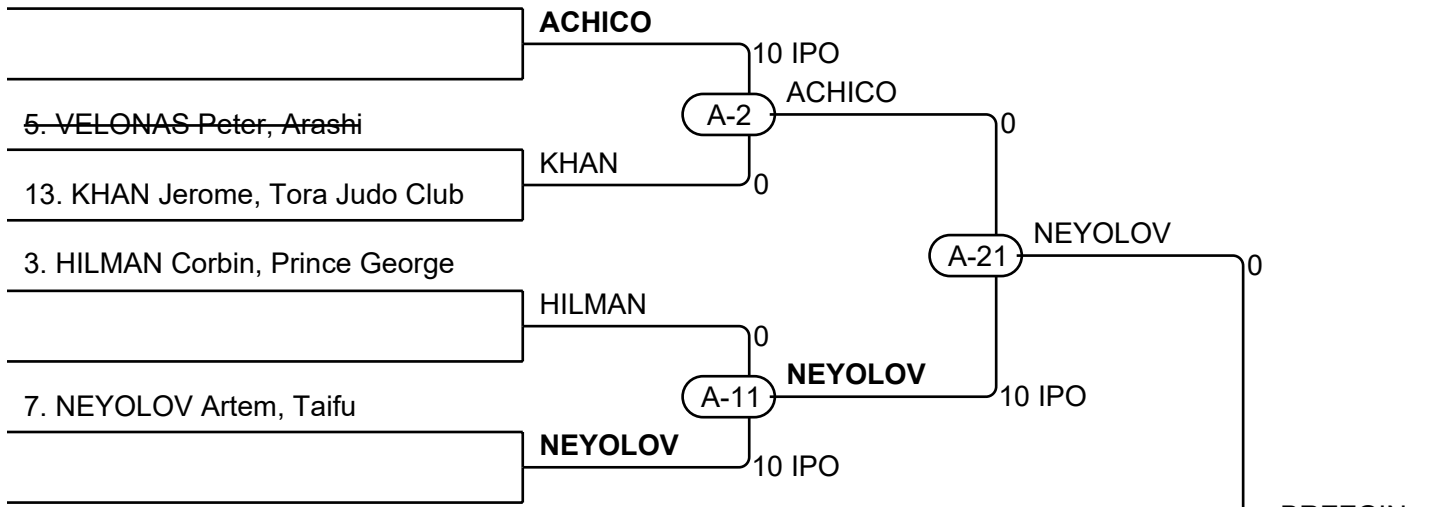
Match	White/Blanc			Blue/Bleu	Res/Rés	Tim/Tmp	Code
A-5	FRIZELL Linus	1	2	YON Peyton	10 - 0	4:02	GSI
A-8	BROWN Hugo	3	4	FABBRO Daniel	0 - 10	1:32	IPO
A-18	FRIZELL Linus	1	3	BROWN Hugo	0 - 10	0:01	IPO
A-24	YON Peyton	2	4	FABBRO Daniel	0 - 10	0:49	WIP
A-30	FRIZELL Linus	1	4	FABBRO Daniel	0 - 10	0:15	IPO
A-42	YON Peyton	2	3	BROWN Hugo	0 - 10	0:57	IPO

Results/Résultats

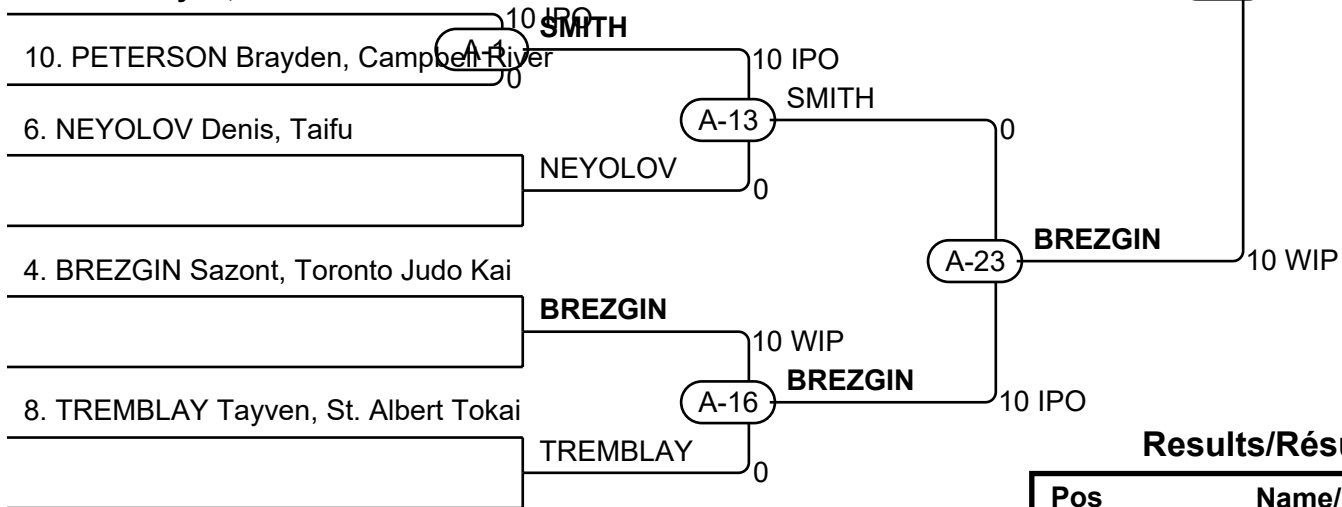
Pos	Name/Nom
1	FABBRO Daniel, Creston
2	BROWN Hugo, Hiro's
3	FRIZELL Linus, Hart

U16M -42 kg

1. ACHICO Trenton, Tora Judo Club

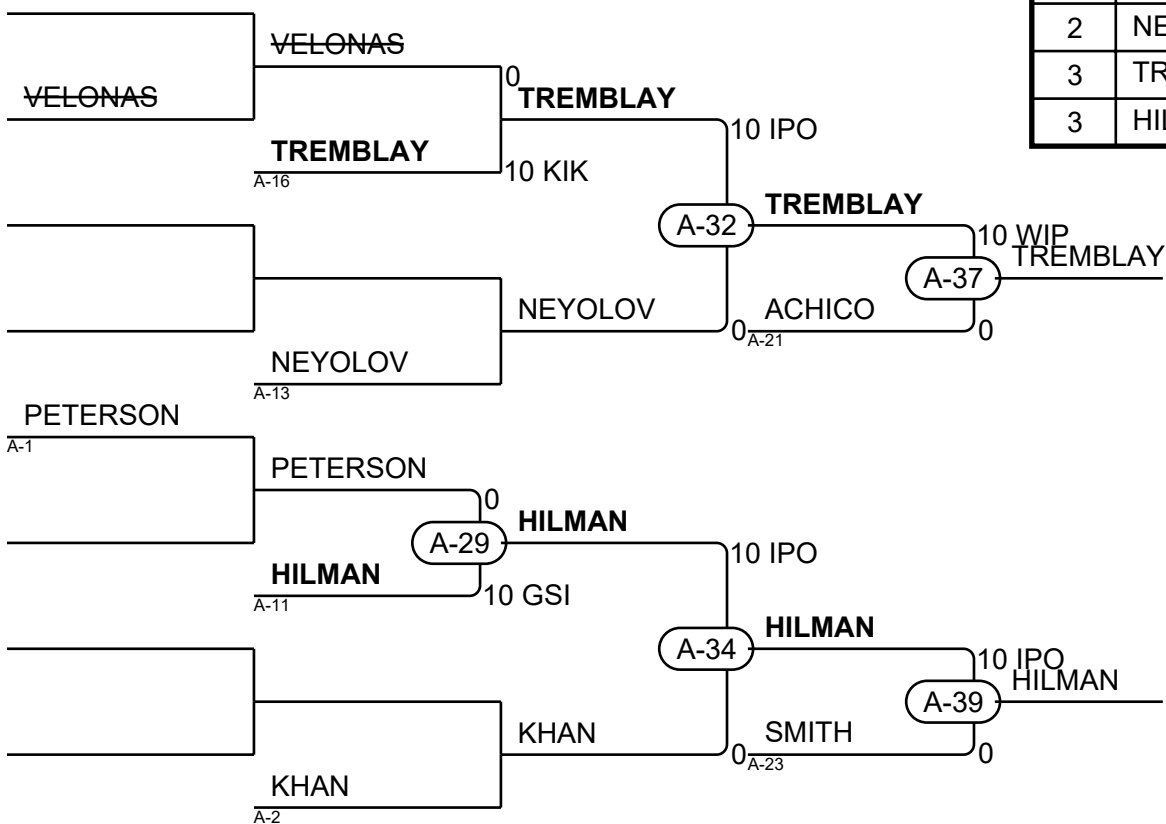


2. SMITH Flynn, Mile Zero

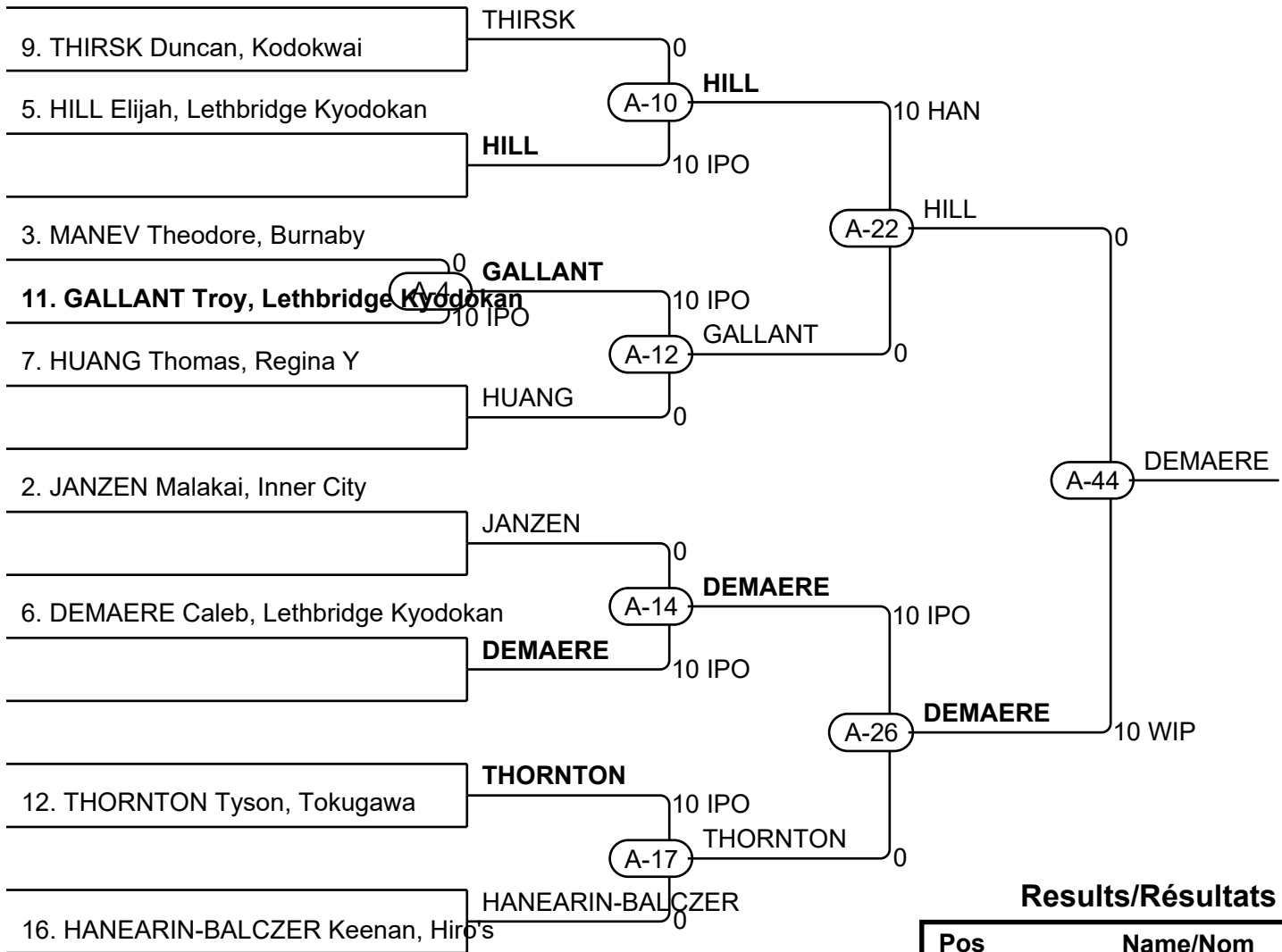


Results/Résultats

Pos	Name/Nom
1	BREZGIN Sazont, Toronto Judo Kai
2	NEYOLOV Artem, Taifu
3	TREMBLAY Tayven, St. Albert Tokai
3	HILMAN Corbin, Prince George

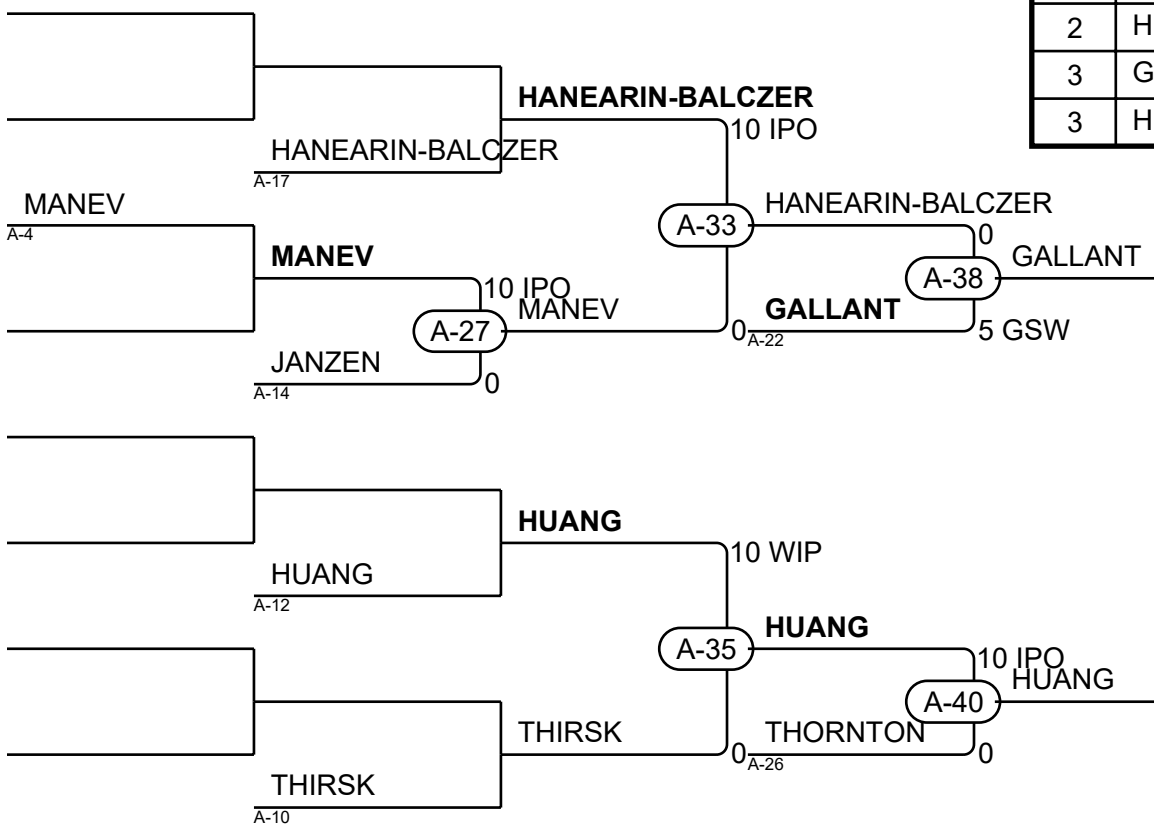


U16M -46 kg



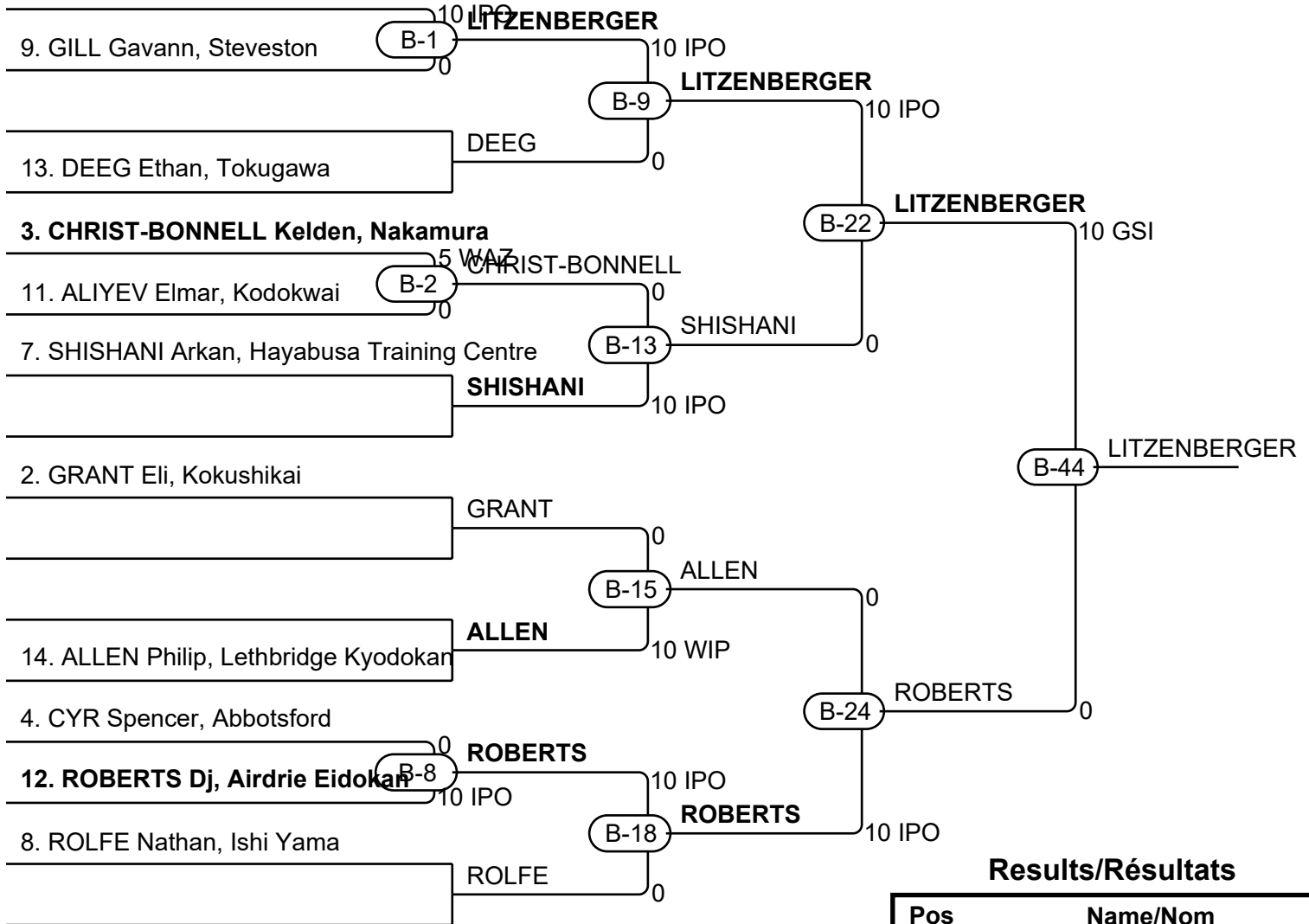
Results/Résultats

Pos	Name/Nom
1	DEMAERE Caleb, Lethbridge Kyodokan
2	HILL Elijah, Lethbridge Kyodokan
3	GALLANT Troy, Lethbridge Kyodokan
3	HUANG Thomas, Regina Y



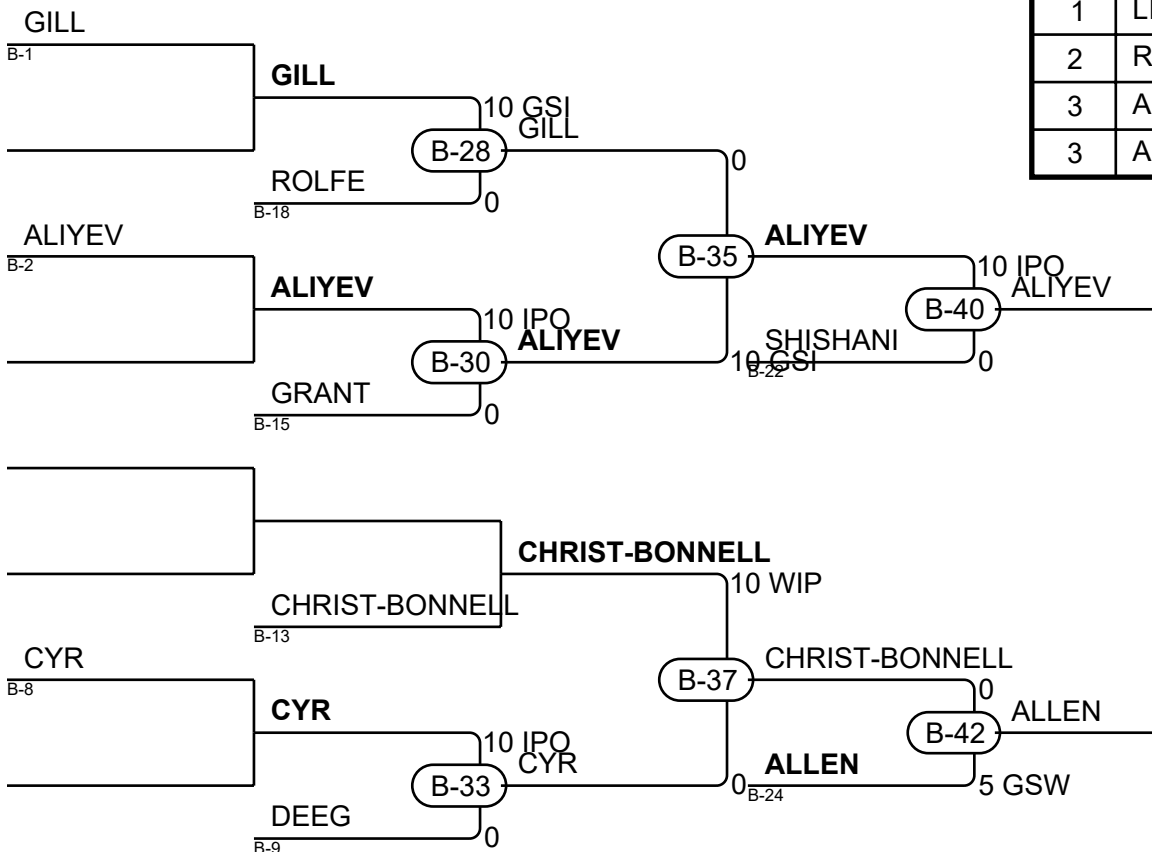
U16M -50 kg

1. LITZENBERGER Euan, South Corman Park

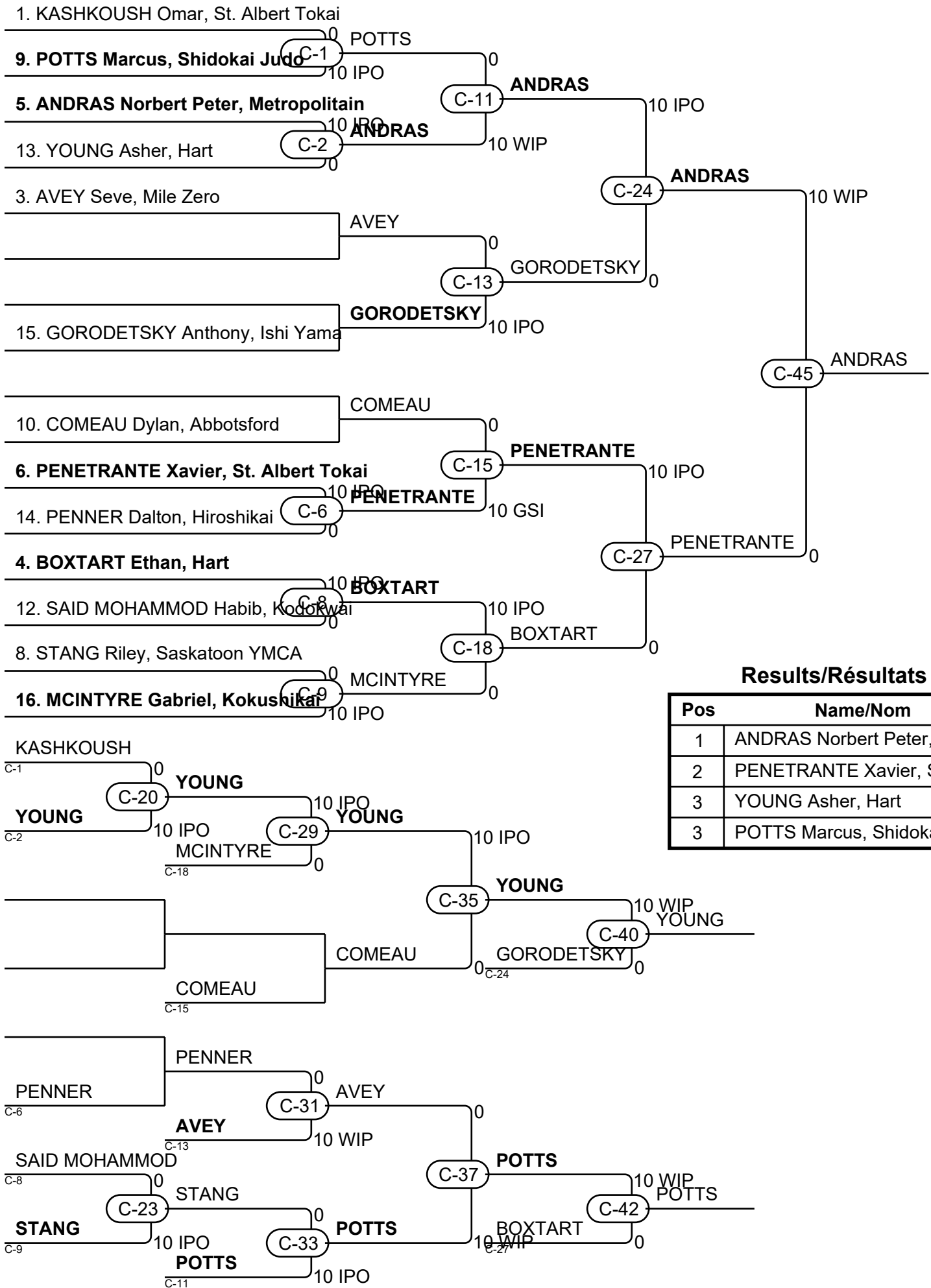


Results/Résultats

Pos	Name/Nom
1	LITZENBERGER Euan, South Corman Park
2	ROBERTS Dj, Airdrie Eidokan
3	ALIYEV Elmar, Kodokwai
3	ALLEN Philip, Lethbridge Kyodokan

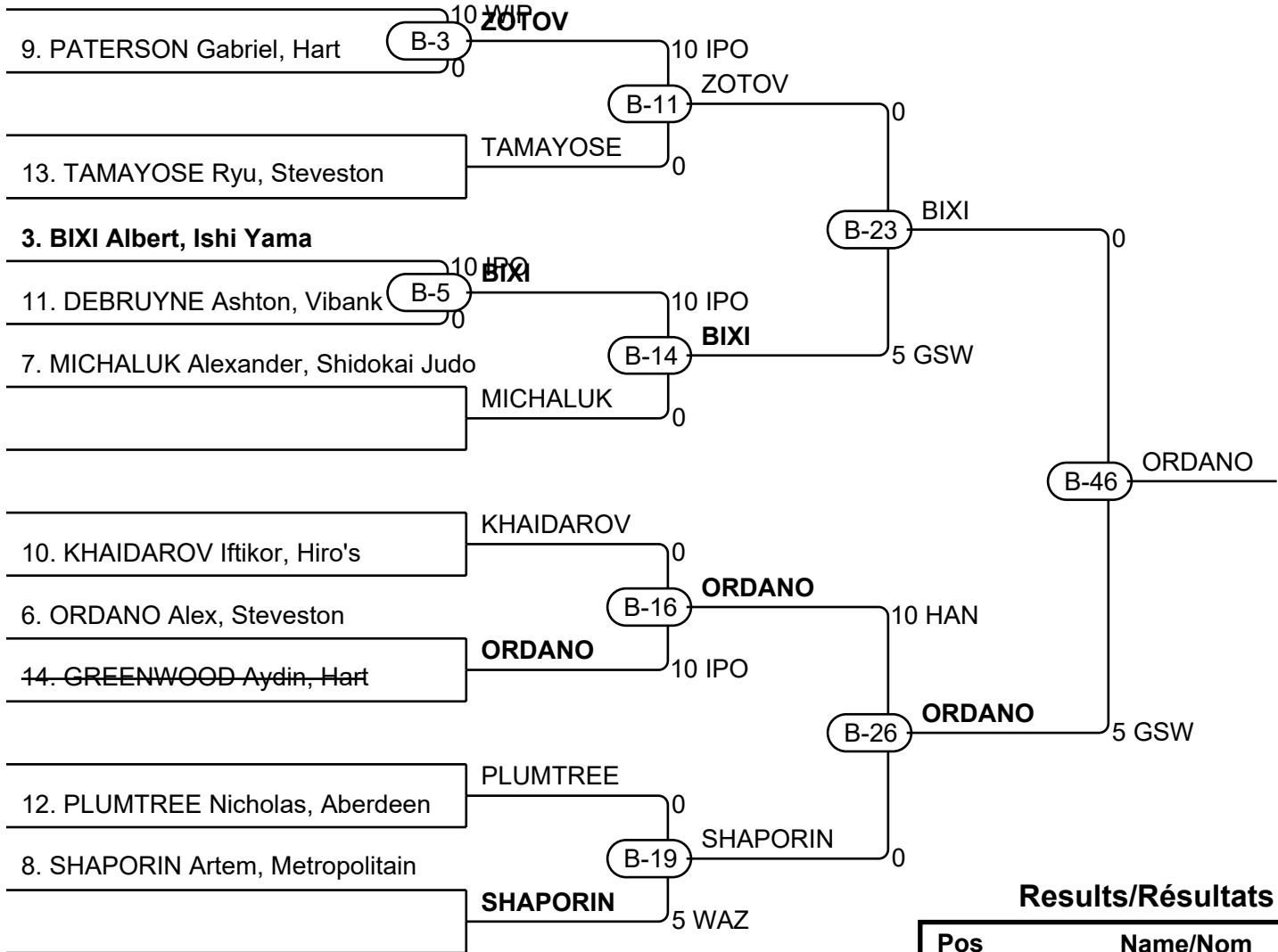


U16M -55 kg



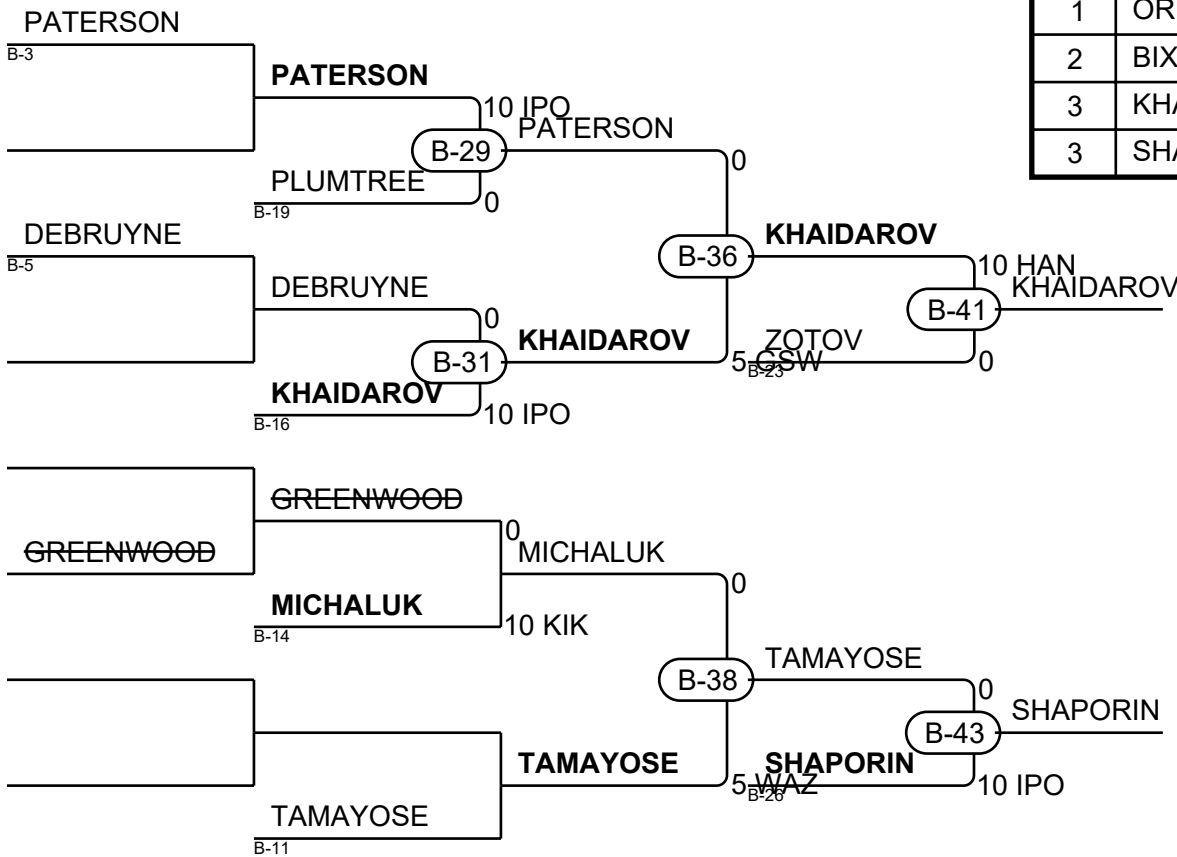
U16M -60 kg

1. ZOTOV Dima, St. Albert Tokai

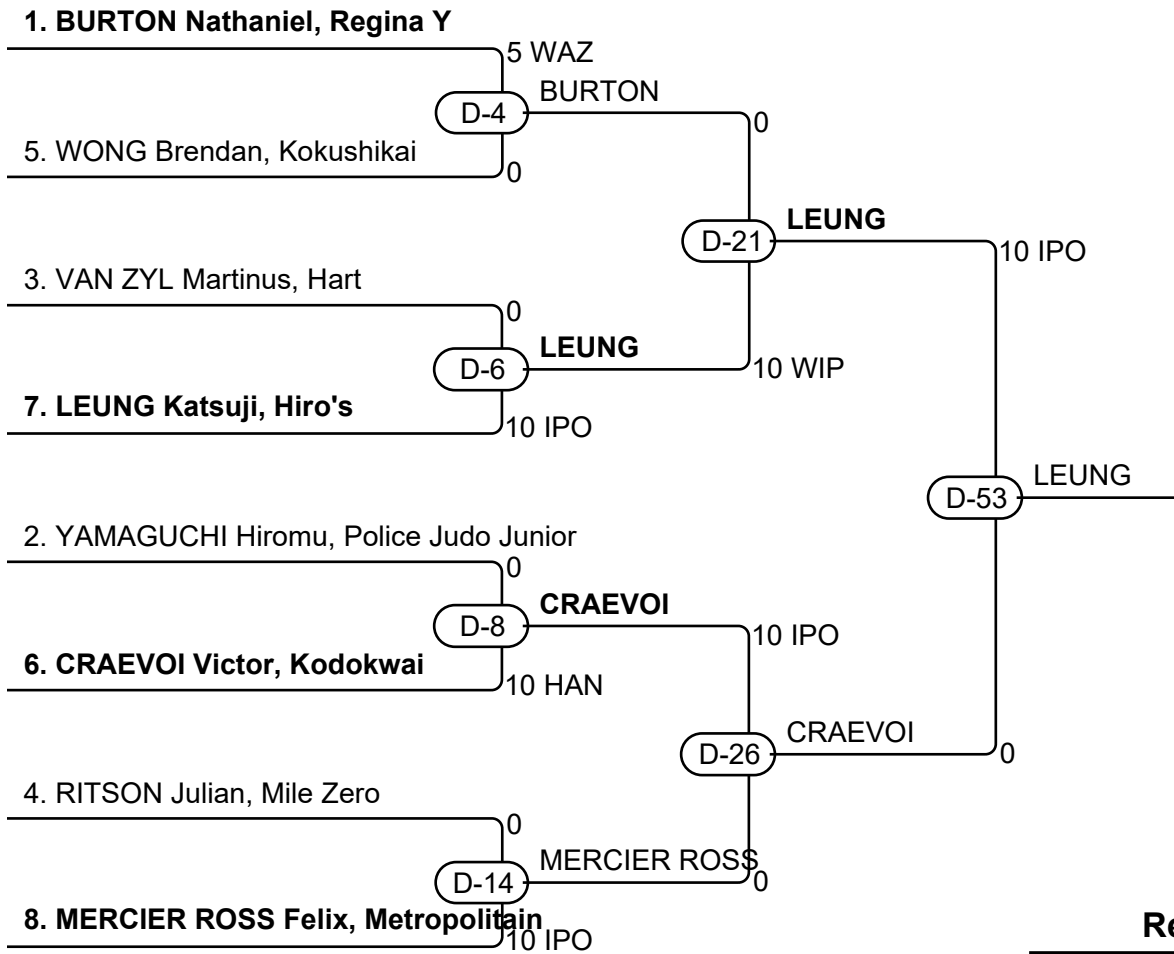


Results/Résultats

Pos	Name/Nom
1	ORDANO Alex, Steveston
2	BIXI Albert, Ishi Yama
3	KHAIDAROV Iftikor, Hiro's
3	SHAPORIN Artem, Metropolitan

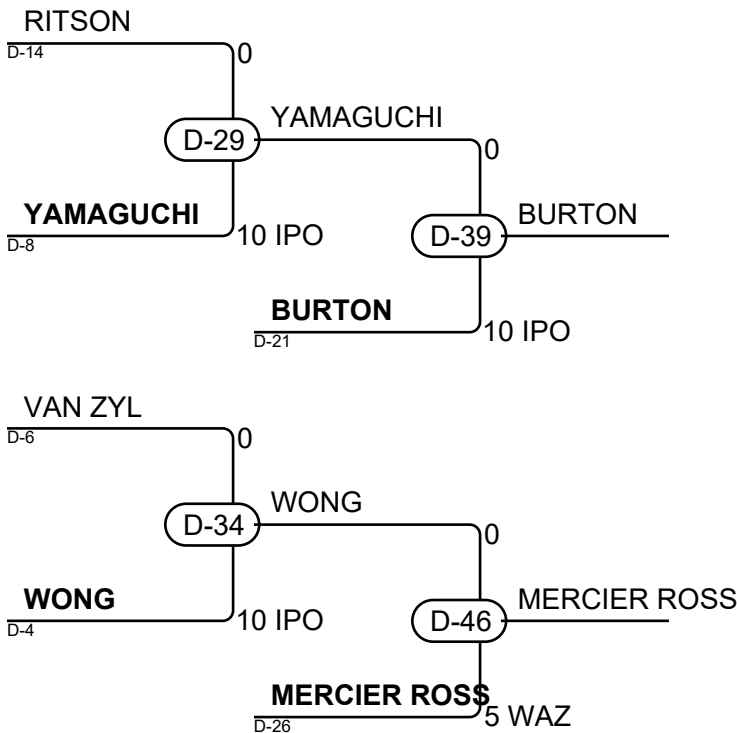


U16M -66 kg



Results/Résultats

Pos	Name/Nom
1	LEUNG Katsuji, Hiro's
2	CRAEVOI Victor, Kodokwai
3	BURTON Nathaniel, Regina Y
3	MERCIER ROSS Felix, Metropolitan



U16M -73 kg

Competitors/Compétiteurs A

#	Name/Nom	Club	1	2	3	4	W/G	Pts	Pos
1	HRONOPOULOS Christopher	Kodokwai	XX		10		1	10	3
2	MICU Andrew	Hiro's	10	XX	10	10	3	30	1
3	MALINOWSKI Brody	Selkirk			XX		0	0	4
4	SEMENYUK Yuriy	Metropolitain	10		10	XX	2	20	2

Matches/Matchs A

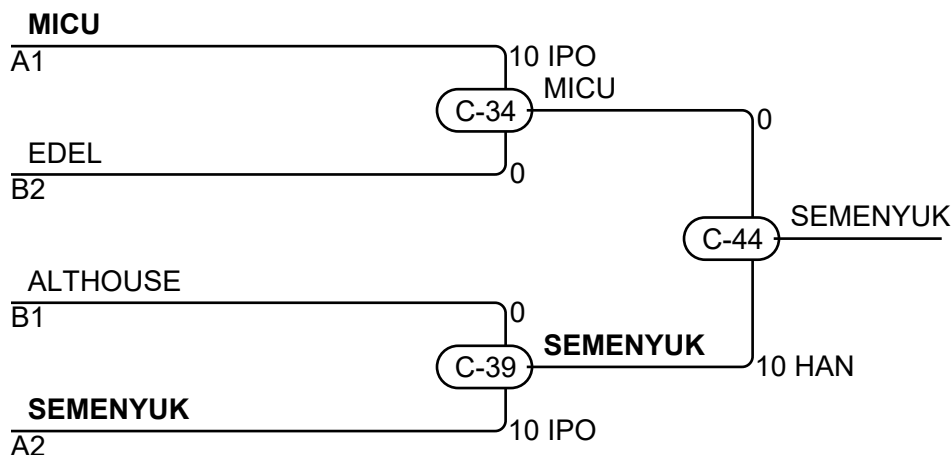
Match	White/Blanc	Blue/Bleu	Res/Rés	Tim/Tmp	Code
C-3	HRONOPOULOS Christopher 1 2	MICU Andrew	0 - 10	0:32	IPO
C-4	MALINOWSKI Brody 3 4	SEMENYUK Yuriy	0 - 10	0:14	IPO
C-10	HRONOPOULOS Christopher 1 3	MALINOWSKI Brody	10 - 0	1:00	IPO
C-17	MICU Andrew 2 4	SEMENYUK Yuriy	10 - 0	2:48	IPO
C-22	HRONOPOULOS Christopher 1 4	SEMENYUK Yuriy	0 - 10	0:01	IPO
C-26	MICU Andrew 2 3	MALINOWSKI Brody	10 - 0	0:01	IPO

Competitors/Compétiteurs B

#	Name/Nom	Club	5	6	7	W/G	Pts	Pos
5	ALTHOUSE Carter	Lethbridge Kyodokan	XX	10	10	2	20	1
6	EDEL Owen	Kodokwai		XX	10	1	10	2
7	ROBSON Zachary	Kokushikai			XX	0	0	3

Matches/Matchs B

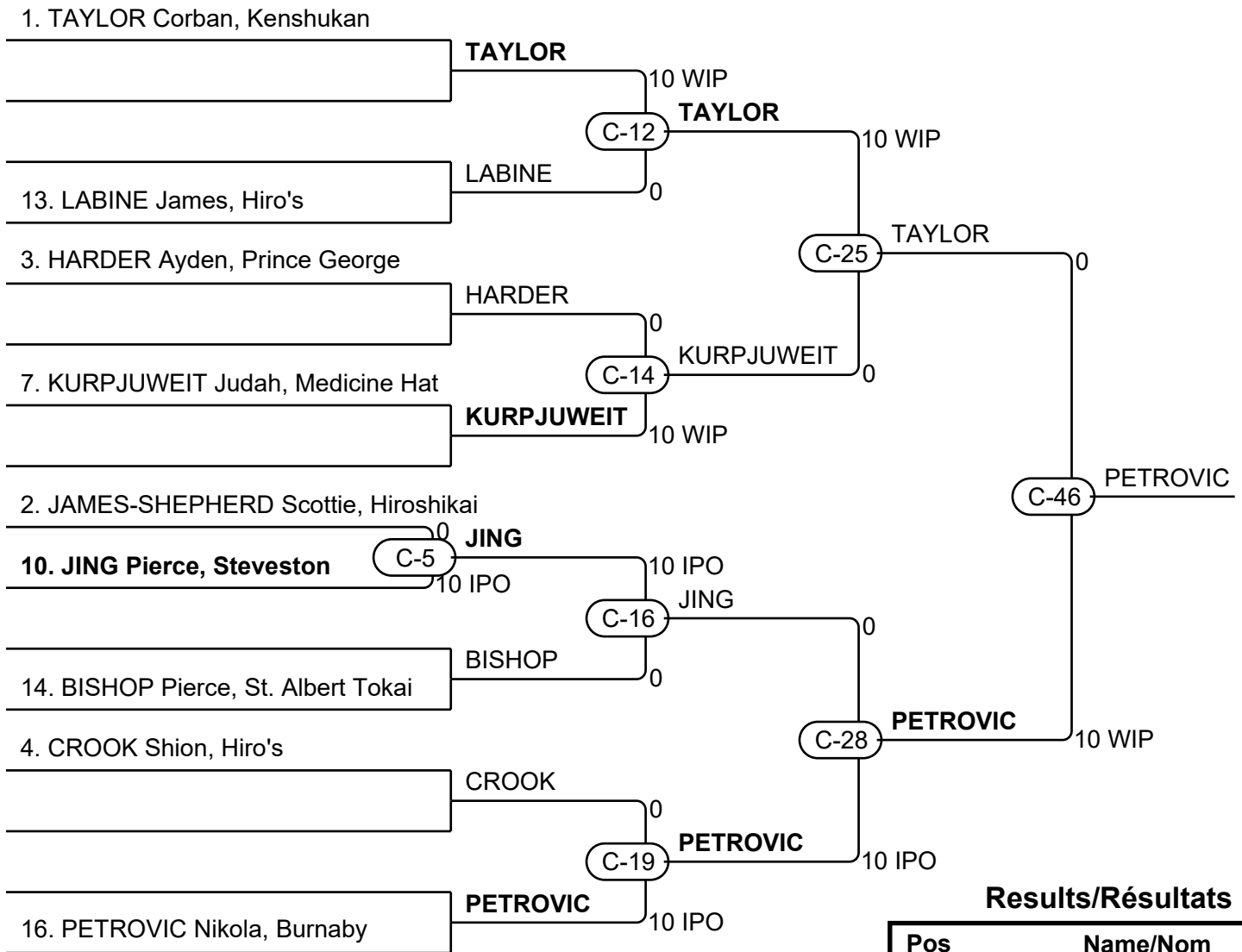
Match	White/Blanc	Blue/Bleu	Res/Rés	Tim/Tmp	Code
C-7	ALTHOUSE Carter 5 6	EDEL Owen	10 - 0	2:28	IPO
C-21	ALTHOUSE Carter 5 7	ROBSON Zachary	10 - 0	0:01	IPO
C-30	EDEL Owen 6 7	ROBSON Zachary	10 - 0	0:07	IPO



Results/Résultats

Pos	Name/Nom
1	SEMENYUK Yuriy, Metropolitain
2	MICU Andrew, Hiro's
3	EDEL Owen, Kodokwai
3	ALTHOUSE Carter, Lethbridge Kyodokan

U16M +73 kg



Results/Résultats

Pos	Name/Nom
1	PETROVIC Nikola, Burnaby
2	TAYLOR Corban, Kenshukan
3	CROOK Shion, Hiro's
3	JING Pierce, Steveston

