

Veterans Men Heavy

Competitors/Compétiteurs A

#	Name/Nom	Grade	Club	1	2	3	4	W/G	Pts	Pos
1	WILSON MARK	shodan	Tora Judo Club	XX		5		1	5	3
2	FRANCKOWIAK Ryan	shodan	Cloverdale Judo Club	5	XX	10		2	15	2
3	ABDINOV Sadraddin	brown	Olympic Judo Centre			XX		0	0	4
4	SANTOS Rogerio	nidan	Club de Judo Maua-Bresil	10	10	10	XX	3	30	1

Matches/Matches A

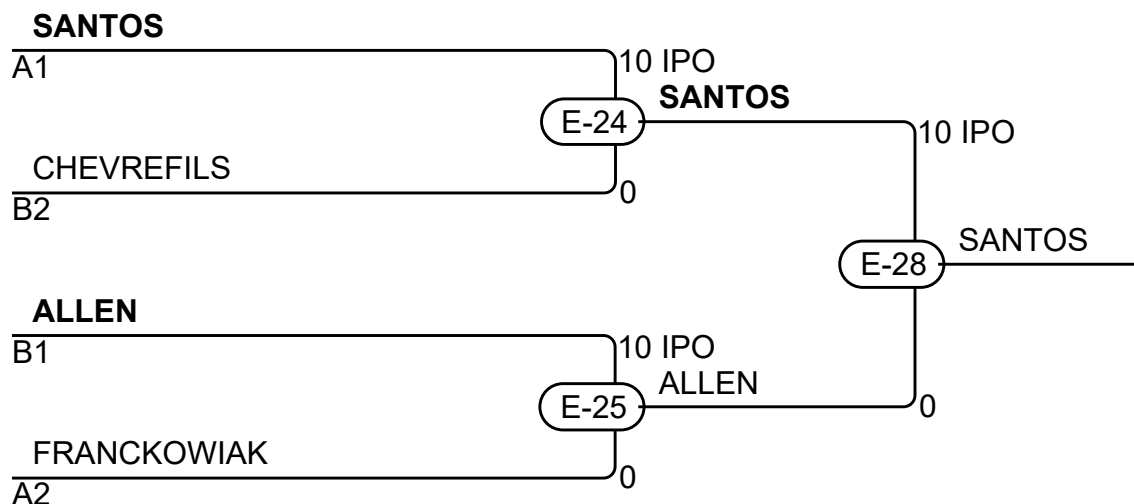
Match	White/Blanc			Blue/Bleu	Res/Rés	Tim/Tmp	Code
E-5	WILSON MARK	1	2	FRANCKOWIAK Ryan	0 - 5	3:01	WAZ
E-6	ABDINOV Sadraddin	3	4	SANTOS Rogerio	0 - 10	1:48	IPO
E-12	WILSON MARK	1	3	ABDINOV Sadraddin	5 - 0	3:00	WAZ
E-13	FRANCKOWIAK Ryan	2	4	SANTOS Rogerio	0 - 10	0:32	IPO
E-17	WILSON MARK	1	4	SANTOS Rogerio	0 - 10	0:00	IPO
E-18	FRANCKOWIAK Ryan	2	3	ABDINOV Sadraddin	10 - 0	1:01	IPO

Competitors/Compétiteurs B

#	Name/Nom	Grade	Club	5	6	7	W/G	Pts	Pos
5	LINDO Richard	nidan	Kidokan	XX			0	0	3
6	ALLEN JEFF	brown	Huntsville Judo Club	10	XX	10	2	20	1
7	CHEVREFILS Chad	brown	Crown Hill Martial Arts	10		XX	1	10	2

Matches/Matches B

Match	White/Blanc			Blue/Bleu	Res/Rés	Tim/Tmp	Code
E-7	LINDO Richard	5	6	ALLEN JEFF	0 - 10	0:36	IPO
E-14	LINDO Richard	5	7	CHEVREFILS Chad	0 - 10	0:00	IPO
E-19	ALLEN JEFF	6	7	CHEVREFILS Chad	10 - 0	1:50	IPO



Results/Résultats

Pos	Name/Nom
1	SANTOS Rogerio, Club de Judo Maua-Bresil
2	ALLEN JEFF, Huntsville Judo Club
3	CHEVREFILS Chad, Crown Hill Martial Arts
3	FRANCKOWIAK Ryan, Cloverdale Judo Club

Veterans Women Light

Competitors/Compétiteurs

#	Name/Nom	Grade	Club	1	W/G	Pts	Pos
1	TIE Monique	blue	University of Toronto Judo Club		0	0	1

Matches/Matches

Match	White/Blanc	Blue/Bleu	Res/Rés	Tim/Tmp	Code
-------	-------------	-----------	---------	---------	------

Results/Résultats

Pos	Name/Nom

Veterans Women Middle

Competitors/Compétiteurs

#	Name/Nom	Grade	Club	1	2	1	2	1	2	W/G	Pts	Pos
1	FILIPOVA-YAMAMOTO Lyubov	shichidan	Yawara	XX	10	XX	10	XX		2	20	1
2	ELLIOTT Robyn	brown	Cloverdale Judo Club		XX		XX		XX	0	0	2

Matches/Matches

Match	White/Blanc			Blue/Bleu	Res/Rés	Tim/Tmp	Code
B-13	FILIPOVA-YAMAMOTO Lyubov	1	2	ELLIOTT Robyn	10 - 0	0:11	IPO
B-21	ELLIOTT Robyn	2	1	FILIPOVA-YAMAMOTO Lyubov	0 - 10	1:03	IPO
B-27	FILIPOVA-YAMAMOTO Lyubov	1	2	ELLIOTT Robyn			

Results/Résultats

Pos	Name/Nom
1	FILIPOVA-YAMAMOTO Lyubov, Yawara

Veterans Men Light

Competitors/Compétiteurs

#	Name/Nom	Grade	Club	1	2	3	4	W/G	Pts	Pos
1	LAMPMAN Stephen	sandan	Kawasaki Rendokan Judo Academy				5	1	5	3
2	BAN Kevin	shodan	York Judo & BJJ	5	XX		10	2	15	2
3	KARN Justin	nidan	SHIDOKAN	10	10	XX	10	3	30	1
4	MAHAJAN ANKUR	brown	R.A Judo Club				XX	0	0	4

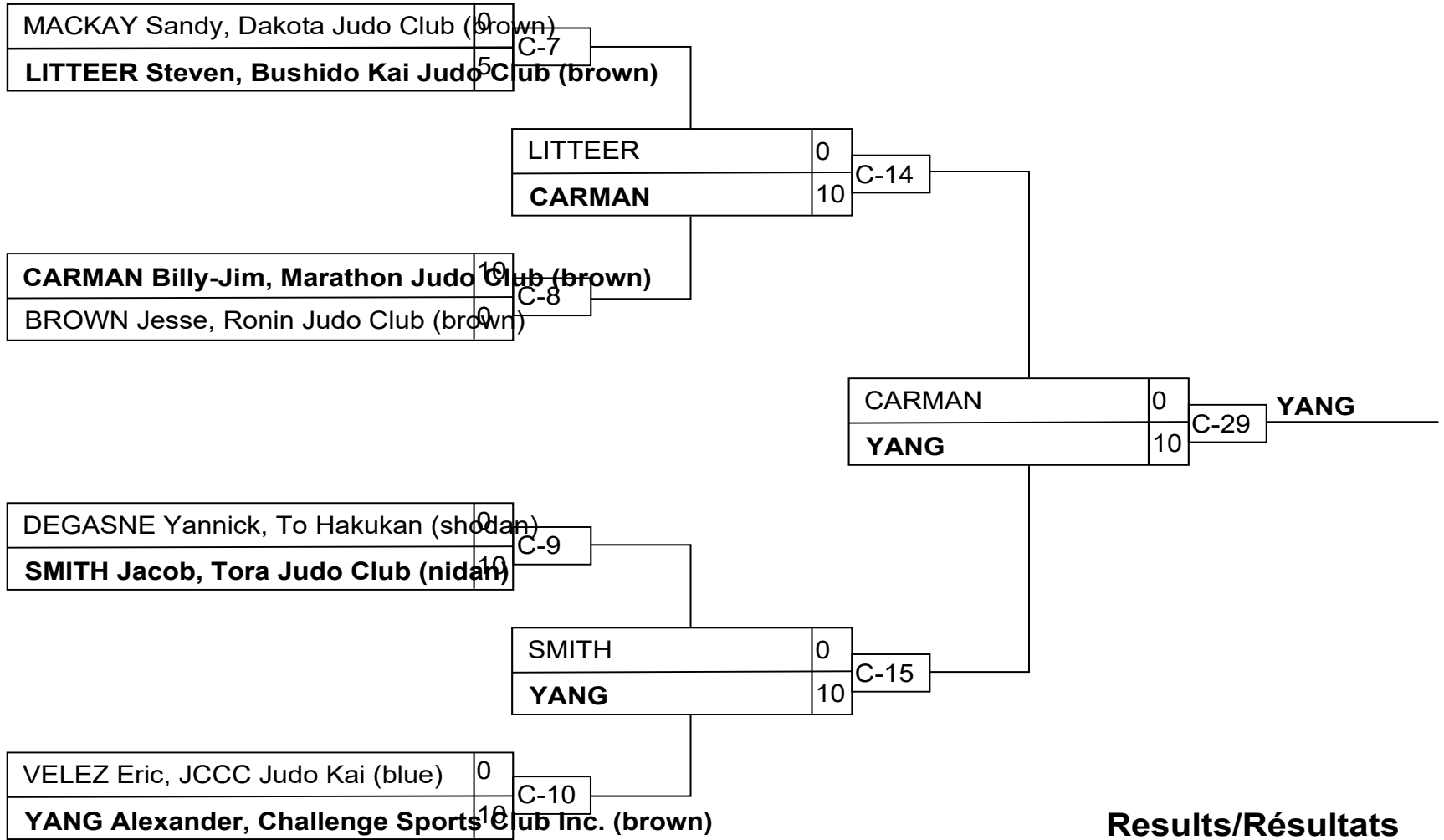
Matches/Matches

Match	White/Blanc			Blue/Bleu	Res/Rés	Tim/Tmp	Code
A-11	LAMPMAN Stephen	1	2	BAN Kevin	0 - 5	3:27	GSW
A-12	KARN Justin	3	4	MAHAJAN ANKUR	10 - 0	2:59	IPO
A-19	LAMPMAN Stephen	1	3	KARN Justin	0 - 10	5:59	GSI
A-20	BAN Kevin	2	4	MAHAJAN ANKUR	10 - 0	2:46	IPO
A-25	LAMPMAN Stephen	1	4	MAHAJAN ANKUR	5 - 0	3:00	WAZ
A-26	BAN Kevin	2	3	KARN Justin	0 - 10	0:34	IPO

Results/Résultats

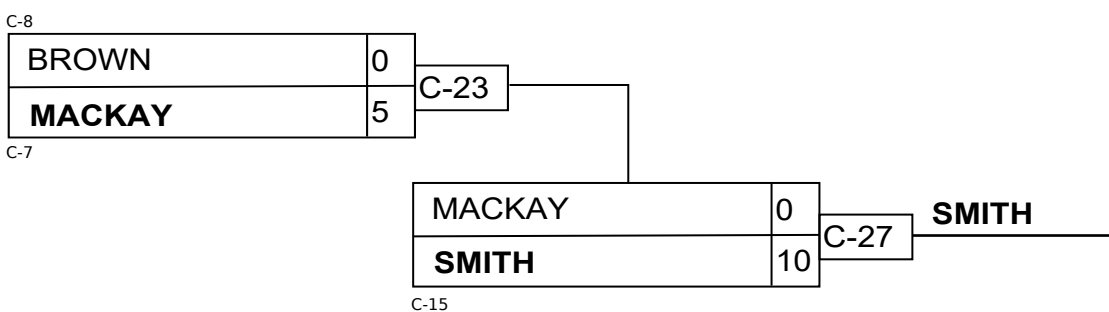
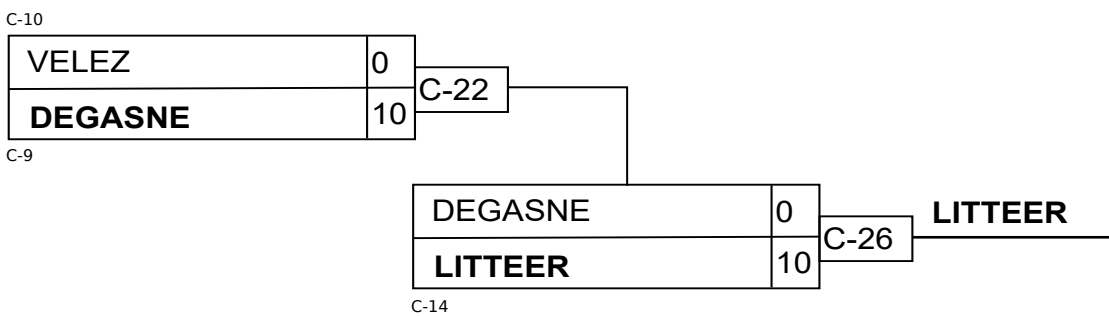
Pos	Name/Nom
1	KARN Justin, SHIDOKAN
2	BAN Kevin, York Judo & BJJ
3	LAMPMAN Stephen, Kawasaki Rendokan Judo Academy

Veterans Men Light Heavy

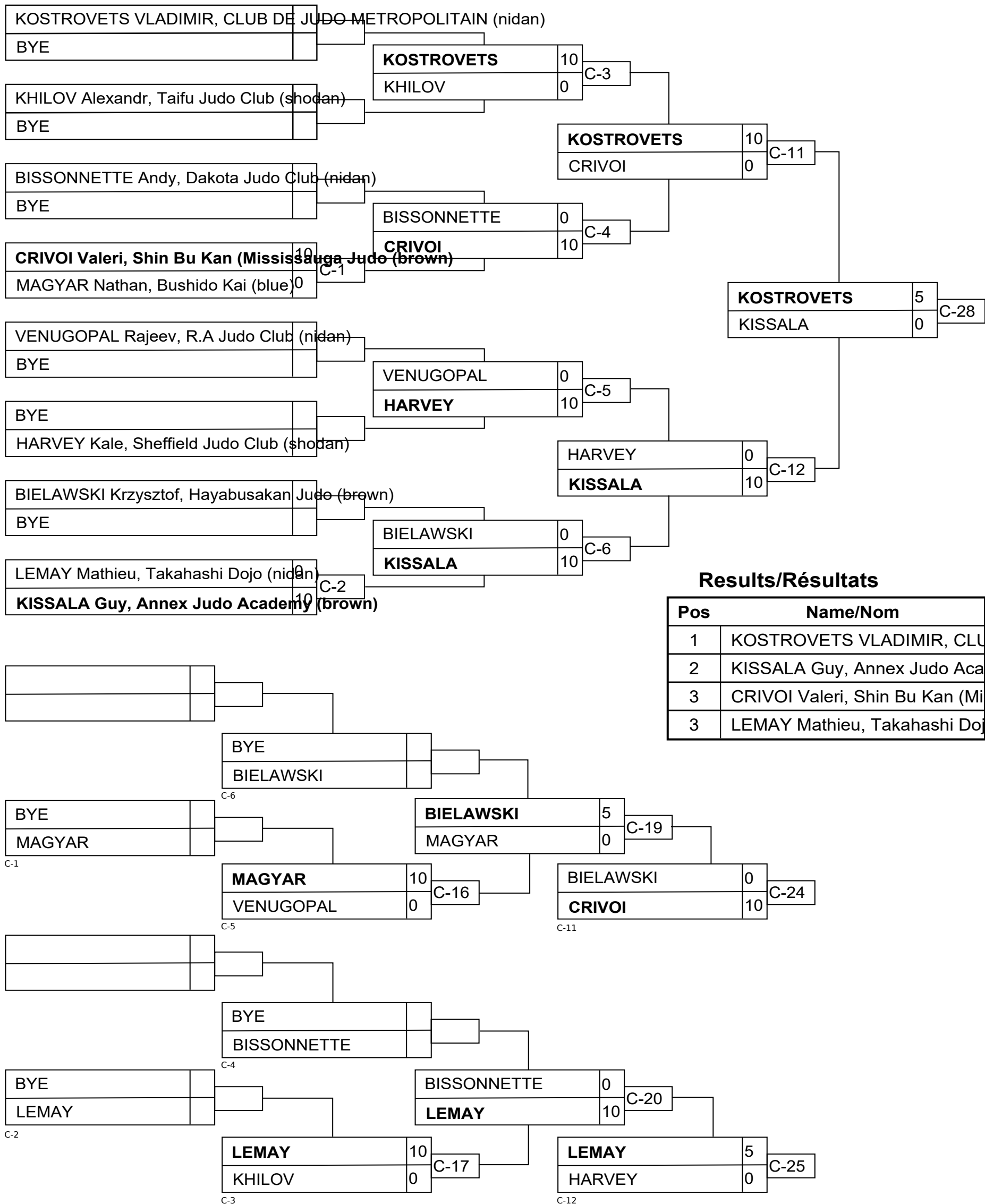


Results/Résultats

Pos	Name/Nom
1	YANG Alexander, Challenge Sports Club Inc.
2	CARMAN Billy-Jim, Marathon Judo Club
3	LITTEER Steven, Bushido Kai Judo Club
3	SMITH Jacob, Tora Judo Club (nidan)



Veterans Men Middle



U21 Women -48kg

Competitors/Compétiteurs

#	Name/Nom	Grade	Club	1	2	1	2	1	2	W/G	Pts	Pos
1	ROY Léa	brown	Asbestos-Danville	XX		XX		XX		0	0	2
2	NEMETH Virginia	shodan	Judo Alberta	10	XX	10	XX		XX	2	20	1

Matches/Matches

Match	White/Blanc			Blue/Bleu	Res/Rés	Tim/Tmp	Code
B-14	ROY Léa	1	2	NEMETH Virginia	0 - 10	1:23	IPO
B-22	NEMETH Virginia	2	1	ROY Léa	10 - 0	3:35	IPO
B-28	ROY Léa	1	2	NEMETH Virginia			

Results/Résultats

Pos	Name/Nom
1	NEMETH Virginia, Judo Alberta

U21 Women -52kg

Competitors/Compétiteurs

#	Name/Nom	Grade	Club	1	2	1	2	1	2	W/G	Pts	Pos
1	KOLIASKA Taeya	shodan	Judo Alberta	XX	10	XX	10	XX		2	20	1
2	SPARKES Sarah	brown	Asahi Judo Club		XX		XX		XX	0	0	2

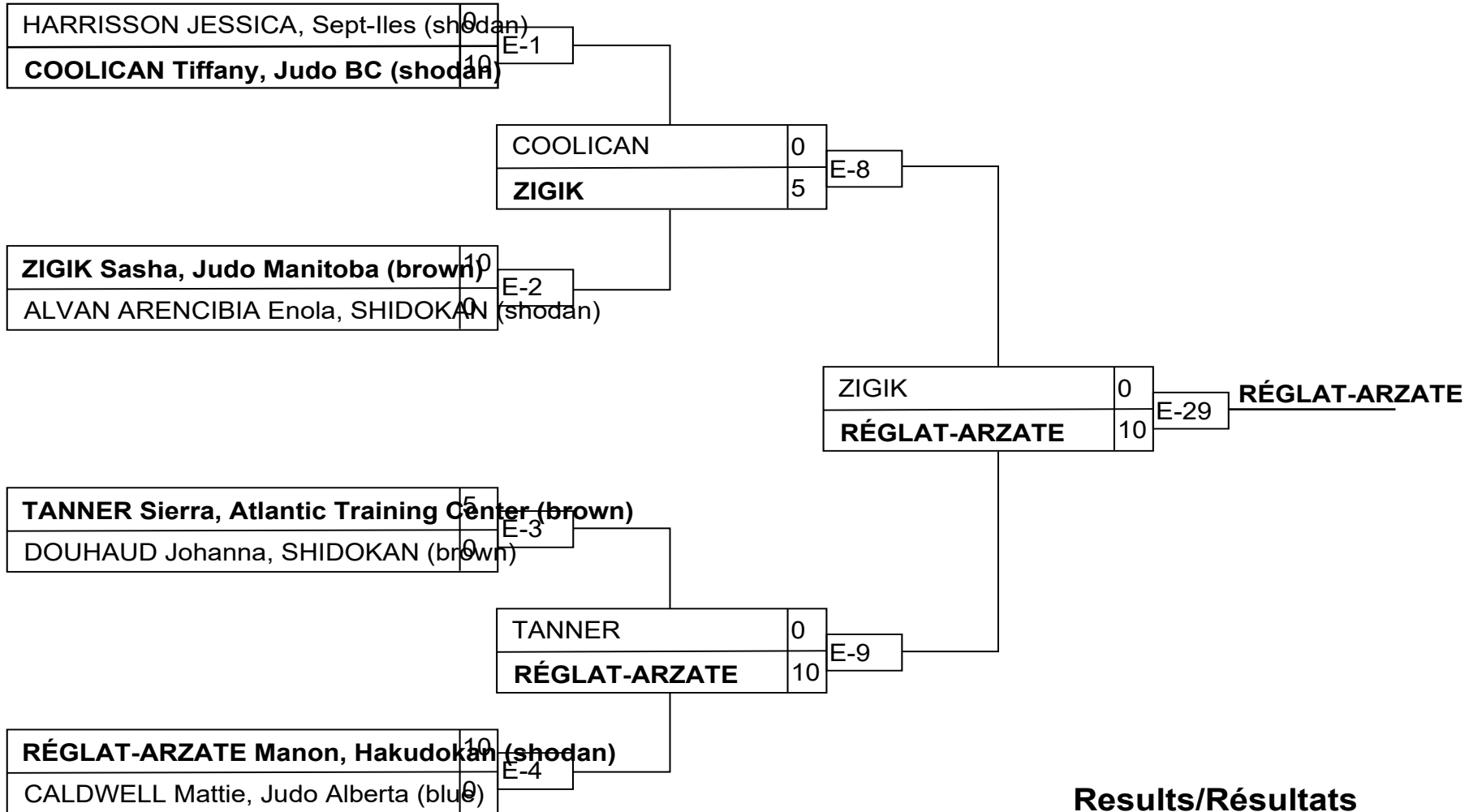
Matches/Matches

Match	White/Blanc			Blue/Bleu	Res/Rés	Tim/Tmp	Code
A-14	KOLIASKA Taeya	1	2	SPARKES Sarah	10 - 0	1:16	IPO
A-22	SPARKES Sarah	2	1	KOLIASKA Taeya	0 - 10	2:24	IPO
A-28	KOLIASKA Taeya	1	2	SPARKES Sarah			

Results/Résultats

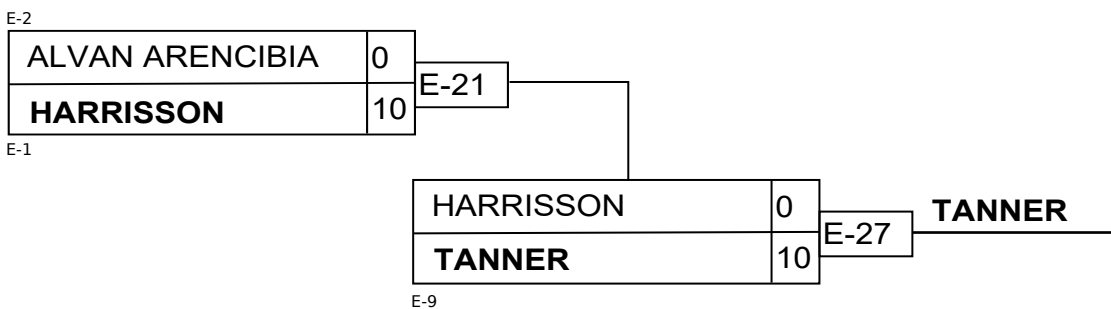
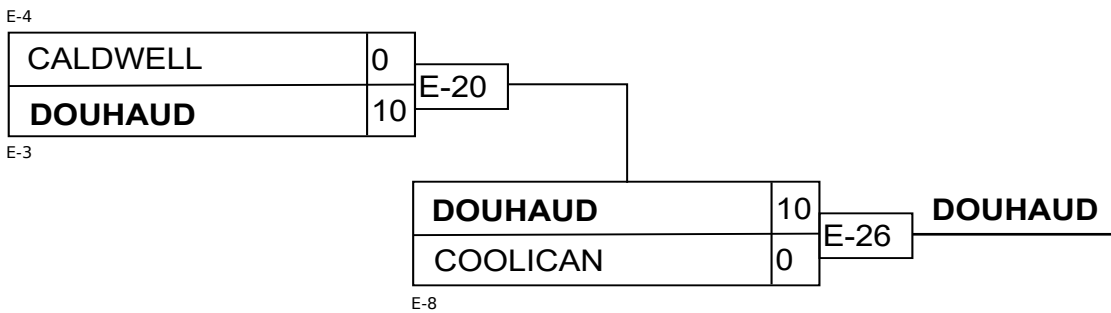
Pos	Name/Nom
1	KOLIASKA Taeya, Judo Alberta

U21 Women -57kg



Results/Résultats

Pos	Name/Nom
1	RÉGLAT-ARZATE Manon, Hakudokan
2	ZIGIK Sasha, Judo Manitoba (brown)
3	DOUHAUD Johanna, SHIDOKAN (brown)
3	TANNER Sierra, Atlantic Training Center



U21 Women -63kg

Competitors/Compétiteurs

#	Name/Nom	Grade	Club	1	2	3	4	W/G	Pts	Pos
1	ROXANNE Emond	brown	Ju-Shin-Kan Laterrière	XX			5	1	5	3
2	FIANDOR Alicia	shodan	Judo BC	5	XX		10	2	15	2
3	KUNO Hana	shodan	Judo Alberta	10	5	XX	10	3	25	1
4	FIANDOR Cheyenne	shodan	Judo BC				XX	0	0	4

Matches/Matches

Match	White/Blanc			Blue/Bleu	Res/Rés	Tim/Tmp	Code
E-10	ROXANNE Emond	1	2	FIANDOR Alicia	0 - 5	4:00	WAZ
E-11	KUNO Hana	3	4	FIANDOR Cheyenne	10 - 0	0:57	IPO
E-15	ROXANNE Emond	1	3	KUNO Hana	0 - 10	0:45	IPO
E-16	FIANDOR Alicia	2	4	FIANDOR Cheyenne	10 - 0	0:48	IPO
E-22	ROXANNE Emond	1	4	FIANDOR Cheyenne	5 - 0	4:00	WAZ
E-23	FIANDOR Alicia	2	3	KUNO Hana	0 - 5	4:00	WAZ

Results/Résultats

Pos	Name/Nom
1	KUNO Hana, Judo Alberta
2	FIANDOR Alicia, Judo BC
3	ROXANNE Emond, Ju-Shin-Kan Laterrière

U21 Women -70kg

Competitors/Compétiteurs

#	Name/Nom	Grade	Club	1	W/G	Pts	Pos
1	POIRIER Audrey	shodan	Club de judo St-Hyacinthe	XX	0	0	1

Matches/Matches

Match	White/Blanc	Blue/Bleu	Res/Rés	Tim/Tmp	Code
-------	-------------	-----------	---------	---------	------

Results/Résultats

Pos	Name/Nom

U21 Women -78kg

Competitors/Compétiteurs

#	Name/Nom	Grade	Club	1	2	1	2	1	2	W/G	Pts	Pos
1	GRONEN Shianne	brown	lethbridge judo club	XX	10	XX	10	XX		2	20	1
2	LEVESQUE Ariane	brown	Kiseki Judo		XX		XX		XX	0	0	2

Matches/Matches

Match	White/Blanc			Blue/Bleu	Res/Rés	Tim/Tmp	Code
C-13	GRONEN Shianne	1	2	LEVESQUE Ariane	10 - 0	2:52	IPO
C-18	LEVESQUE Ariane	2	1	GRONEN Shianne	0 - 10	0:56	IPO
C-21	GRONEN Shianne	1	2	LEVESQUE Ariane			

Results/Résultats

Pos	Name/Nom
1	GRONEN Shianne, lethbridge judo club

U21 Men +100kg

Competitors/Compétiteurs

#	Name/Nom	Grade	Club	1	2	3	4	W/G	Pts	Pos
1	IWAASA toru	brown	Swift Current Judo Club	XX			5	1	5	3
2	VIENNEAU Andrew	shodan	Shimpokai	10	XX	5	10	3	25	1
3	CARRILLOS Alexander	brown	Asahi Judo Club	10		XX	10	2	20	2
4	DORE NICHOLAS	brown	Takahashi Dojo				XX	0	0	4

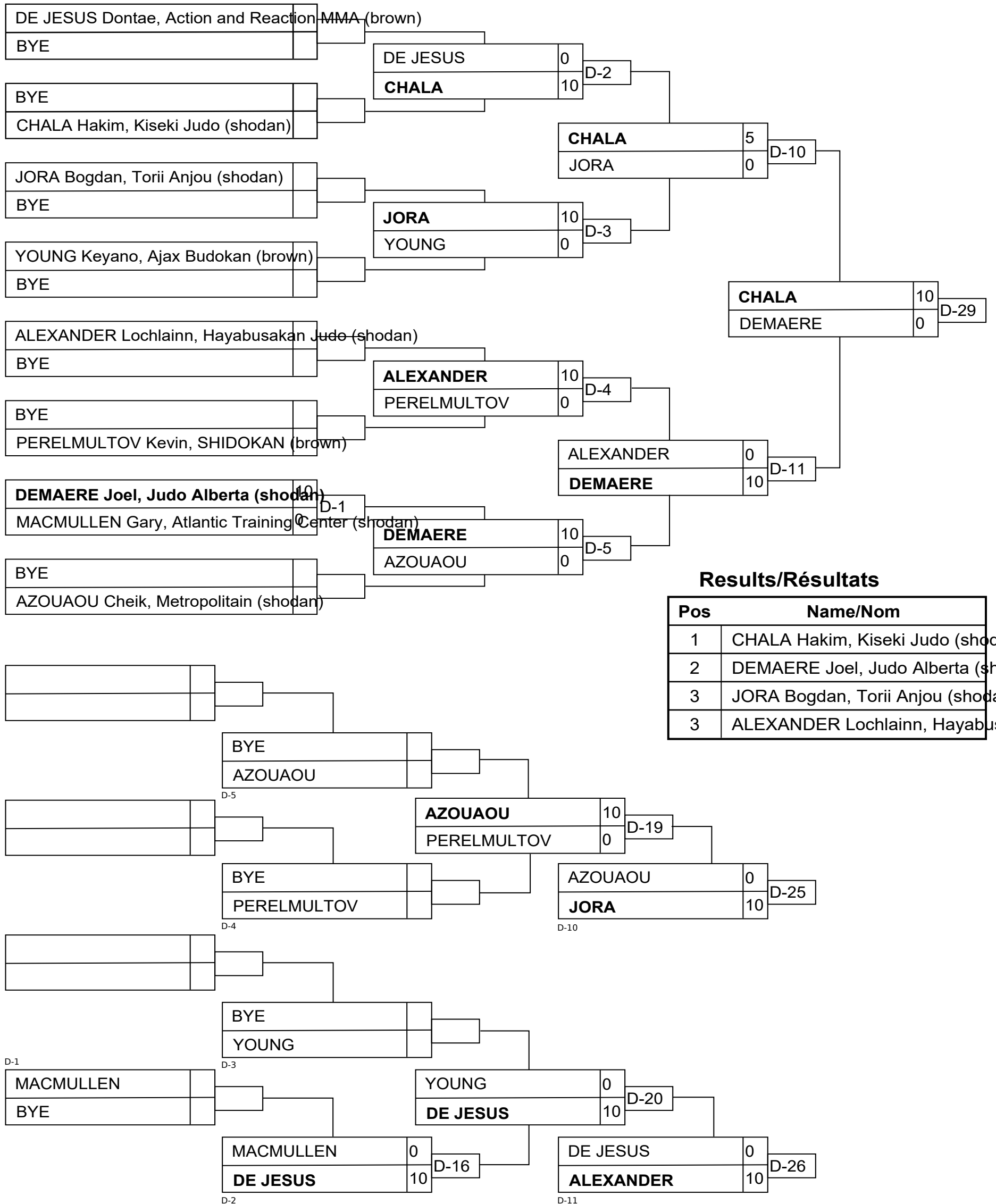
Matches/Matches

Match	White/Blanc			Blue/Bleu	Res/Rés	Tim/Tmp	Code
B-5	IWAASA toru	1	2	VIENNEAU Andrew	0 - 10	3:24	IPO
B-10	CARRILLOS Alexander	3	4	DORE NICHOLAS	10 - 0	1:07	IPO
B-15	IWAASA toru	1	3	CARRILLOS Alexander	0 - 10	0:00	IPO
B-16	VIENNEAU Andrew	2	4	DORE NICHOLAS	10 - 0	2:07	IPO
B-23	IWAASA toru	1	4	DORE NICHOLAS	5 - 0	4:00	WAZ
B-24	VIENNEAU Andrew	2	3	CARRILLOS Alexander	5 - 0	7:25	GSW

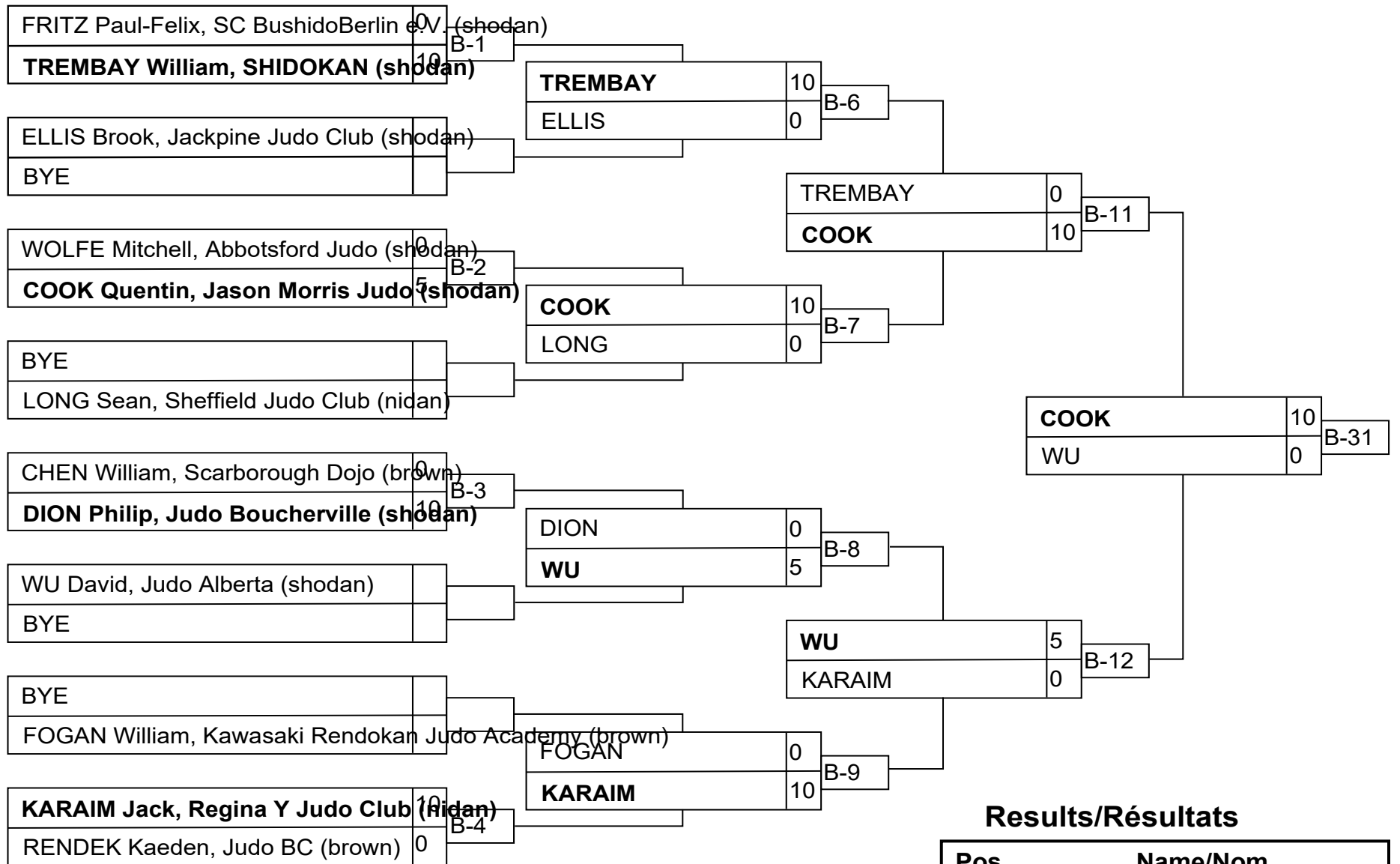
Results/Résultats

Pos	Name/Nom
1	VIENNEAU Andrew, Shimpokai
2	CARRILLOS Alexander, Asahi Judo Club
3	IWAASA toru, Swift Current Judo Club

U21 Men -60kg

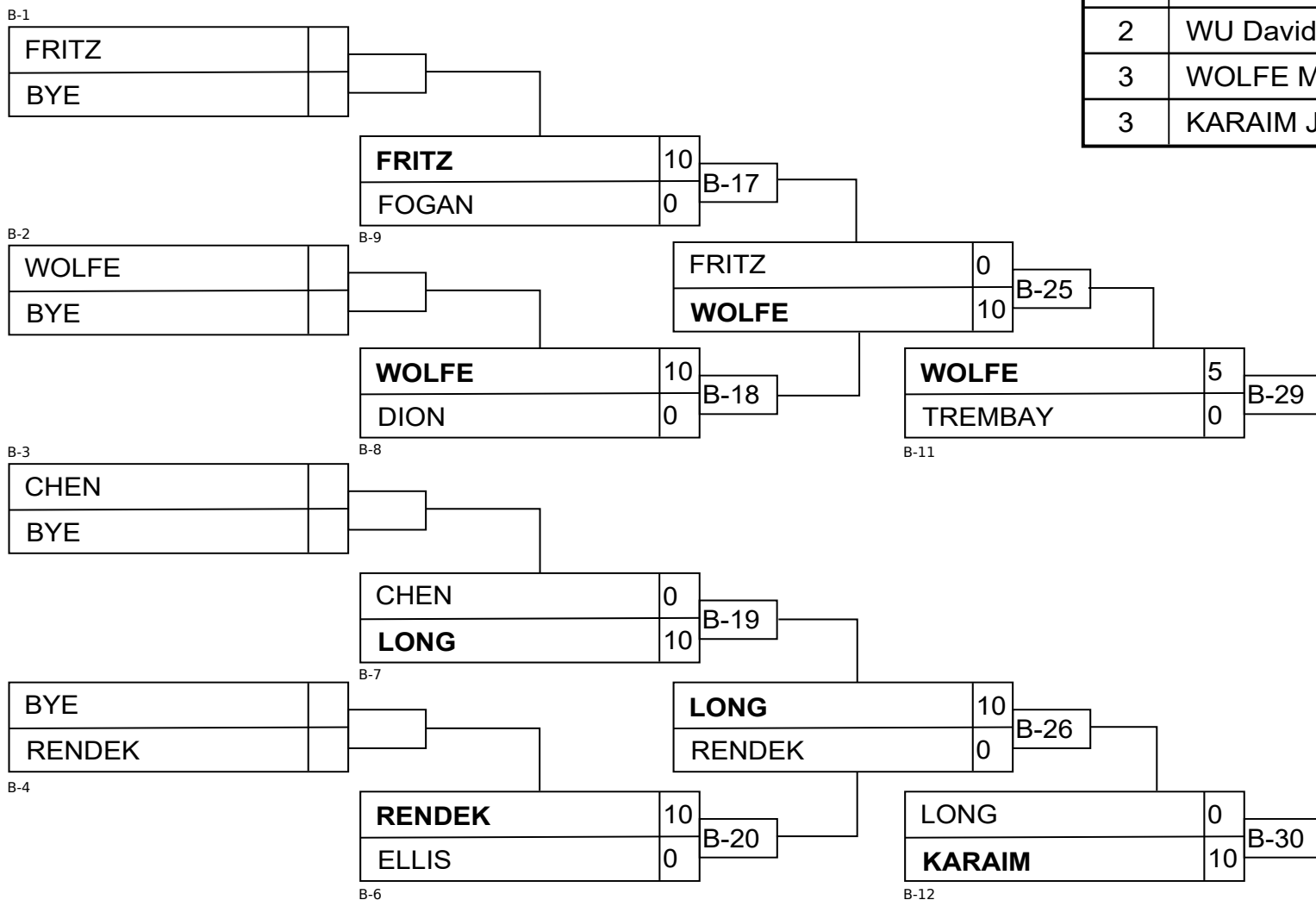


U21 Men -66kg

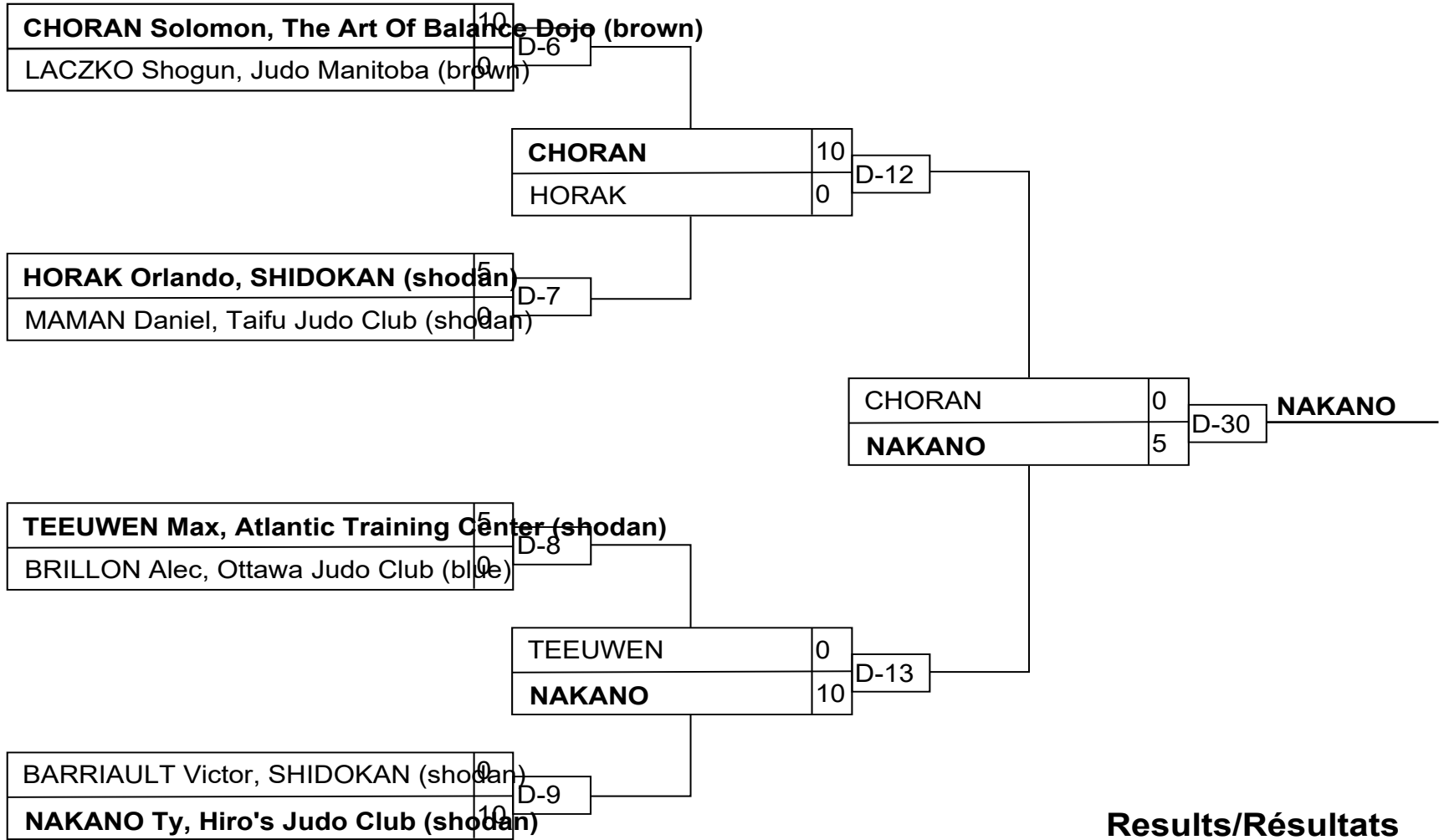


Results/Résultats

Pos	Name/Nom
1	COOK Quentin, Jason Morris Judo (shodan)
2	WU David, Judo Alberta (shodan)
3	WOLFE Mitchell, Abbotsford Judo (shodan)
3	KARAIM Jack, Regina Y Judo Club (nidan)

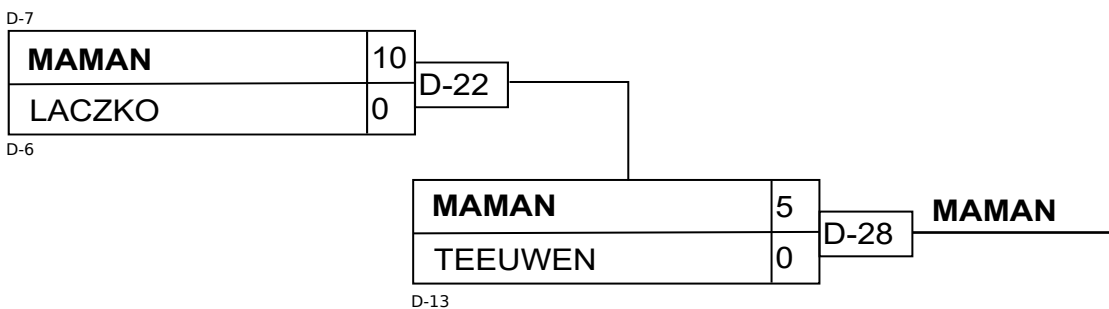
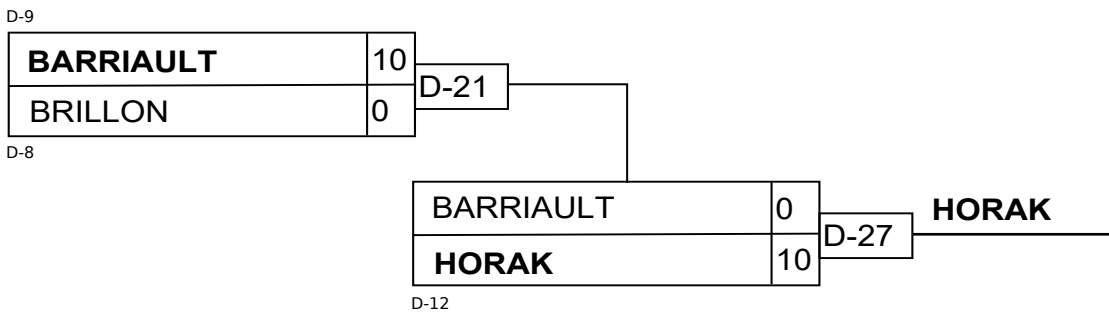


U21 Men -73kg

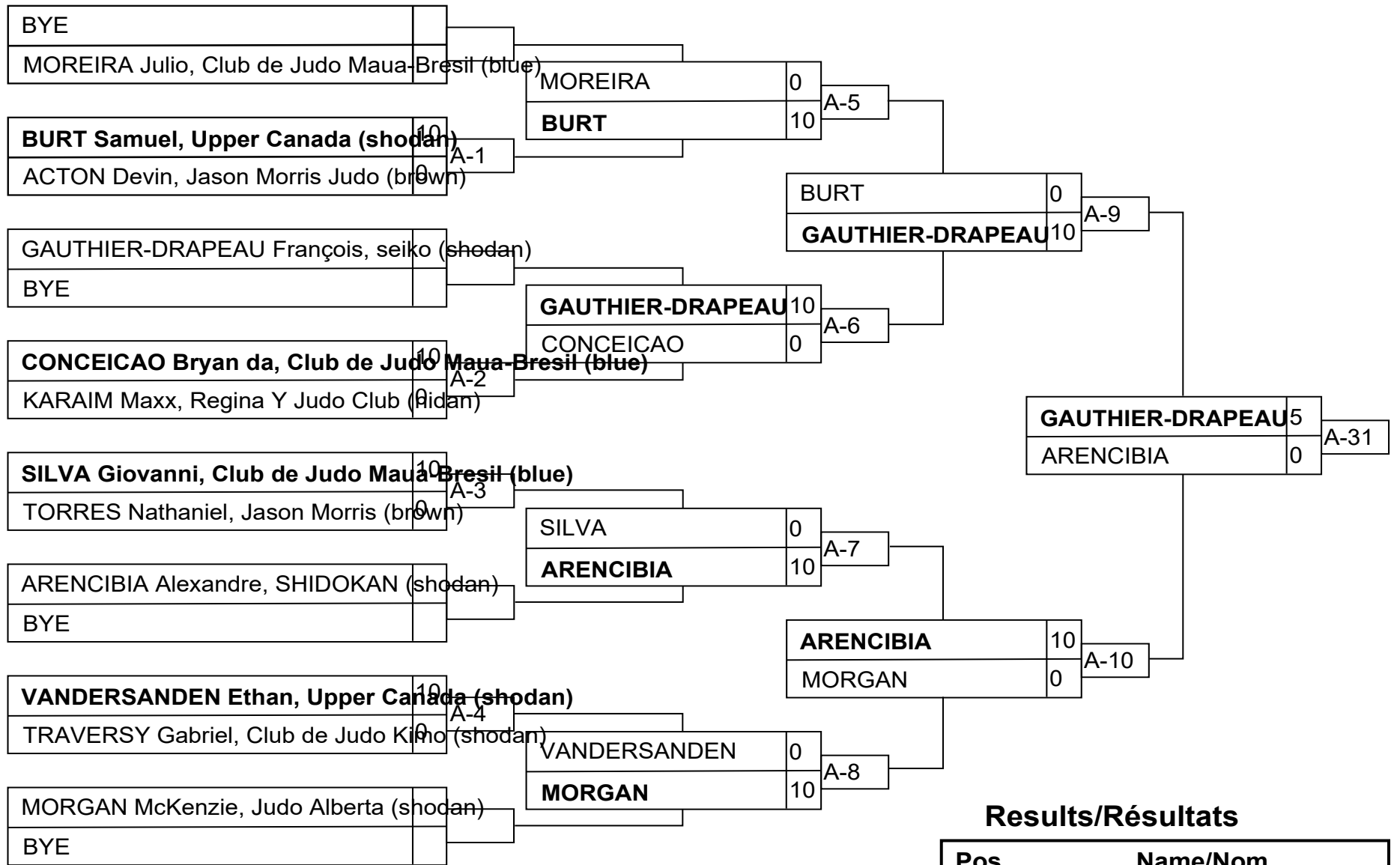


Results/Résultats

Pos	Name/Nom
1	NAKANO Ty, Hiro's Judo Club (shodan)
2	CHORAN Solomon, The Art Of Balance Dojo (brown)
3	HORAK Orlando, SHIDOKAN (shodan)
3	MAMAN Daniel, Taifu Judo Club (shodan)

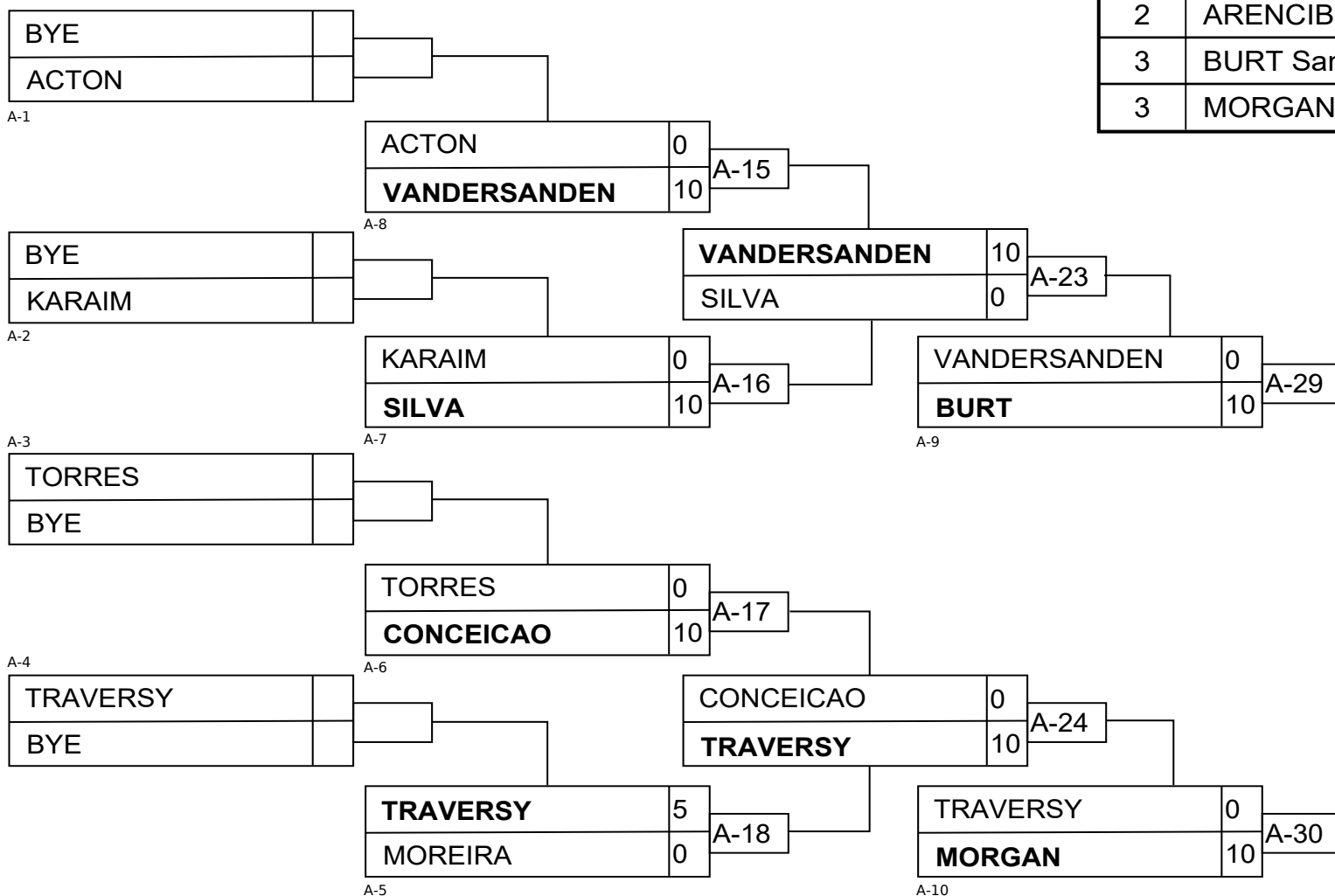


U21 Men -81kg



Results/Résultats

Pos	Name/Nom
1	GAUTHIER-DRAPEAU François, seiko
2	ARENCIBIA Alexandre, SHIDOKAN (shodan)
3	BURT Samuel, Upper Canada (shodan)
3	MORGAN McKenzie, Judo Alberta (shodan)



U21 Men -90kg

Competitors/Compétiteurs

#	Name/Nom	Grade	Club	1	2	3	4	W/G	Pts	Pos
1	FRANCIS Michael	blue	Trent Judo Club	XX			10	1	10	3
2	KENDRICK Benjamin	nidan	Takahashi Dojo	10	XX	5	10	3	25	1
3	RYDER Ian	brown	Judo BC	10		XX	10	2	20	2
4	GRANDCHAMP NICOLAS	blue	club judo Seikidokan				XX	0	0	4

Matches/Matches

Match	White/Blanc			Blue/Bleu	Res/Rés	Tim/Tmp	Code
D-14	FRANCIS Michael	1	2	KENDRICK Benjamin	0 - 10	0:57	IPO
D-15	RYDER Ian	3	4	GRANDCHAMP NICOLAS	10 - 0	0:01	FUS
D-17	FRANCIS Michael	1	3	RYDER Ian	0 - 10	0:14	IPO
D-18	KENDRICK Benjamin	2	4	GRANDCHAMP NICOLAS	10 - 0	0:01	FUS
D-23	FRANCIS Michael	1	4	GRANDCHAMP NICOLAS	10 - 0	0:01	FUS
D-24	KENDRICK Benjamin	2	3	RYDER Ian	5 - 0	4:00	WAZ

Results/Résultats

Pos	Name/Nom
1	KENDRICK Benjamin, Takahashi Dojo
2	RYDER Ian, Judo BC
3	FRANCIS Michael, Trent Judo Club

U21 Men -100kg

Competitors/Compétiteurs

#	Name/Nom	Grade	Club	1	2	3	W/G	Pts	Pos
1	TONEKABONI Sadra	blue	JCCC Judo Kai	XX			0	0	3
2	CHOUINARD Yohan	shodan	Sept-Iles	10	XX	10	2	20	1
3	HOWALD Quade	brown	Nickel Belt Budokan	10		XX	1	10	2

Matches/Matches

Match	White/Blanc			Blue/Bleu	Res/Rés	Tim/Tmp	Code
A-13	TONEKABONI Sadra	1	2	CHOUINARD Yohan	0 - 10	2:57	IPO
A-21	TONEKABONI Sadra	1	3	HOWALD Quade	0 - 10	1:24	HAN
A-27	CHOUINARD Yohan	2	3	HOWALD Quade	10 - 0	4:00	IPO

Results/Résultats

Pos	Name/Nom
1	CHOUINARD Yohan, Sept-Iles
2	HOWALD Quade, Nickel Belt Budokan

U21 Women +78kg

Competitors/Compétiteurs

#	Name/Nom	Grade	Club	1	W/G	Pts	Pos
1	DARLOW Annabelle	brown	Lethbridge RTC	XX	0	0	1

Matches/Matches

Match	White/Blanc	Blue/Bleu	Res/Rés	Tim/Tmp	Code
-------	-------------	-----------	---------	---------	------

Results/Résultats

Pos	Name/Nom