

U10 Female Group 1

Competitors/Compétiteurs

#	Name/Nom	Grade	Club	1	2	3	4	W/G	Pts	Pos
1	LUU Emma	yellow	BC/White Rock	XX	5	5		2	10	3
2	WANG Riko	yellow	BC/White Rock		XX	10	10	2	20	1
3	KUBANYCHBEK Datkayim	yellow	BC/Police Jr.			XX		0	0	4
4	RADLOWSKI Bloom	yellow	BC/White Rock	10		10	XX	2	20	2

Matches/Matches

Match	White/Blanc			Blue/Bleu	Res/Rés	Tim/Tmp	Code
A-8	LUU Emma	1	2	WANG Riko	5 - 0	0:00	WAZ
A-10	KUBANYCHBEK Datkayim	3	4	RADLOWSKI Bloom	0 - 10	2:00	IPO
A-18	LUU Emma	1	3	KUBANYCHBEK Datkayim	5 - 0	2:00	WAZ
A-21	WANG Riko	2	4	RADLOWSKI Bloom	10 - 0	2:00	IPO
A-27	LUU Emma	1	4	RADLOWSKI Bloom	0 - 10	2:00	IPO
A-28	WANG Riko	2	3	KUBANYCHBEK Datkayim	10 - 0	2:00	IPO

Results/Résultats

Pos	Name/Nom
1	WANG Riko, BC/White Rock
2	RADLOWSKI Bloom, BC/White Rock
3	LUU Emma, BC/White Rock
4	KUBANYCHBEK Datkayim, BC/Police Jr.

U10 Female Group 2

Competitors/Compétiteurs

#	Name/Nom	Grade	Club	1	2	3	W/G	Pts	Pos
1	CARSON Cassidy	yellow	BC/White Rock	XX	5		1	5	3
2	LU Chloe	yellow/orange	BC/White Rock		XX	10	1	10	1
3	GEE Vivian	yellow	BC/Kensington	5		XX	1	5	2

Matches/Matches

Match	White/Blanc			Blue/Bleu	Res/Rés	Tim/Tmp	Code
A-6	CARSON Cassidy	1	2	LU Chloe	5 - 0	0:00	WAZ
A-19	CARSON Cassidy	1	3	GEE Vivian	0 - 5	2:00	WAZ
A-29	LU Chloe	2	3	GEE Vivian	10 - 0	2:00	IPO

Results/Résultats

Pos	Name/Nom
1	LU Chloe, BC/White Rock
2	GEE Vivian, BC/Kensington
3	CARSON Cassidy, BC/White Rock

U10 Male Group 1

Competitors/Compétiteurs

#	Name/Nom	Grade	Club	1	2	3	W/G	Pts	Pos
1	HUANG Ian	yellow/orange	BC/Mudo Martial Arts	XX	10	2	2	12	1
2	HARRIS Niko	yellow	BC/White Rock		XX	2	1	2	2
3	KAN Haven	yellow	BC/Ishikawa Family			XX	0	0	3

Matches/Matches

Match	White/Blanc			Blue/Bleu	Res/Rés	Tim/Tmp	Code
A-3	HUANG Ian	1	2	HARRIS Niko	10 - 0	2:00	IPO
A-11	HUANG Ian	1	3	KAN Haven	2 - 0	1:12	
A-17	HARRIS Niko	2	3	KAN Haven	2 - 0	1:45	

Results/Résultats

Pos	Name/Nom
1	HUANG Ian, BC/Mudo Martial Arts
2	HARRIS Niko, BC/White Rock
3	KAN Haven, BC/Ishikawa Family

U10 Male Group 2

Competitors/Compétiteurs

#	Name/Nom	Grade	Club	1	2	3	W/G	Pts	Pos
1	BEDNYAKOV Bogdan	yellow	BC/Champion	XX	10		1	10	2
2	WONG Myles	yellow/orange	BC/Ishikawa Family		XX		0	0	3
3	SUPRATO Josiah	yellow	USA/Highlands Judo Dojo	10	10	XX	2	20	1

Matches/Matches

Match	White/Blanc			Blue/Bleu	Res/Rés	Tim/Tmp	Code
A-5	BEDNYAKOV Bogdan	1	2	WONG Myles	10 - 0	2:00	IPO
A-16	BEDNYAKOV Bogdan	1	3	SUPRATO Josiah	0 - 10	2:00	IPO
A-24	WONG Myles	2	3	SUPRATO Josiah	0 - 10	2:00	IPO

Results/Résultats

Pos	Name/Nom
1	SUPRATO Josiah, USA/Highlands Judo Dojo
2	BEDNYAKOV Bogdan, BC/Champion
3	WONG Myles, BC/Ishikawa Family

U10 Male Group 3

Competitors/Compétiteurs

#	Name/Nom	Grade	Club	1	2	3	4	W/G	Pts	Pos
1	CHAN Julian	yellow	BC/White Rock	XX				0	0	4
2	GRIFFIN-DUFFIN Harry	yellow	BC/White Rock	2	XX			1	2	3
3	LOUIE Austin	yellow	USA/Highlands Judo Dojo	10	2	XX		2	12	2
4	CADE HALL Oliver	yellow/orange	BC/Steveston	2	2	10	XX	3	14	1

Matches/Matches

Match	White/Blanc			Blue/Bleu	Res/Rés	Tim/Tmp	Code
A-1	CHAN Julian	1	2	GRIFFIN-DUFFIN Harry	0 - 2	0:00	
A-2	LOUIE Austin	3	4	CADE HALL Oliver	0 - 10	0:38	IPO
A-12	CHAN Julian	1	3	LOUIE Austin	0 - 10	2:00	IPO
A-13	GRIFFIN-DUFFIN Harry	2	4	CADE HALL Oliver	0 - 2	0:46	
A-22	CHAN Julian	1	4	CADE HALL Oliver	0 - 2	1:41	
A-23	GRIFFIN-DUFFIN Harry	2	3	LOUIE Austin	0 - 2	0:35	

Results/Résultats

Pos	Name/Nom
1	CADE HALL Oliver, BC/Steveston
2	LOUIE Austin, USA/Highlands Judo Dojo
3	GRIFFIN-DUFFIN Harry, BC/White Rock
4	CHAN Julian, BC/White Rock

U10 Male Group 4

Competitors/Compétiteurs

#	Name/Nom	Grade	Club	1	2	3	4	W/G	Pts	Pos
1	NOBAR Kian	yellow	BC/Champion	XX				0	0	4
2	SMEISEM Saad	yellow	BC/Abbotsford	5	XX		2	2	7	2
3	DIESMOS Chino	yellow	AB/Hiro's	2	10	XX	10	3	22	1
4	WANNER Dallas	yellow/orange	BC/White Rock	10			XX	1	10	3

Matches/Matches

Match	White/Blanc			Blue/Bleu	Res/Rés	Tim/Tmp	Code
B-5	NOBAR Kian	1	2	SMEISEM Saad	0 - 5	1:31	WAZ
B-6	DIESMOS Chino	3	4	WANNER Dallas	10 - 0	1:08	IPO
B-11	NOBAR Kian	1	3	DIESMOS Chino	0 - 2	1:18	
B-12	SMEISEM Saad	2	4	WANNER Dallas	2 - 0	1:00	
B-17	NOBAR Kian	1	4	WANNER Dallas	0 - 10	2:00	IPO
B-18	SMEISEM Saad	2	3	DIESMOS Chino	0 - 10	1:58	IPO

Results/Résultats

Pos	Name/Nom
1	DIESMOS Chino, AB/Hiro's
2	SMEISEM Saad, BC/Abbotsford
3	WANNER Dallas, BC/White Rock
4	NOBAR Kian, BC/Champion

U10 Male Group 5

Competitors/Compétiteurs

#	Name/Nom	Grade	Club	1	2	3	4	W/G	Pts	Pos
1	TAKEKAWA Shota	yellow	BC/Nanaimo	XX	2	5	5	3	12	1
2	TOOR Aikem	yellow	BC/Abbotsford		XX			0	0	4
3	DILIO Ryan	yellow	AB/Kodokwai		10	XX		1	10	3
4	SHEVCHENKO Yaroslav	yellow	BC/Champion		2	5	XX	2	7	2

Matches/Matches

Match	White/Blanc			Blue/Bleu	Res/Rés	Tim/Tmp	Code
B-1	TAKEKAWA Shota	1	2	TOOR Aikem	2 - 0	0:11	
B-2	DILIO Ryan	3	4	SHEVCHENKO Yaroslav	0 - 5	0:18	WAZ
B-7	TAKEKAWA Shota	1	3	DILIO Ryan	5 - 0	2:00	WAZ
B-8	TOOR Aikem	2	4	SHEVCHENKO Yaroslav	0 - 2	0:42	
B-13	TAKEKAWA Shota	1	4	SHEVCHENKO Yaroslav	5 - 0	2:00	WAZ
B-14	TOOR Aikem	2	3	DILIO Ryan	0 - 10	1:40	WIP

Results/Résultats

Pos	Name/Nom
1	TAKEKAWA Shota, BC/Nanaimo
2	SHEVCHENKO Yaroslav, BC/Champion
3	DILIO Ryan, AB/Kodokwai
4	TOOR Aikem, BC/Abbotsford

U10 Male Group 6

Competitors/Compétiteurs

#	Name/Nom	Grade	Club	1	2	3	4	W/G	Pts	Pos
1	DABROWSKI Kai	yellow	BC/Ishikawa Family	XX	10	10		2	20	2
2	MORIN Oscar	yellow	BC/White Rock		XX			0	0	4
3	GILLESPIE John	yellow	USA/Seattle Judo Dojo		10	XX		1	10	3
4	GODWIN Torsten	yellow/orange	BC/Kelowna	2	5	2	XX	3	9	1

Matches/Matches

Match	White/Blanc			Blue/Bleu	Res/Rés	Tim/Tmp	Code
B-3	DABROWSKI Kai	1	2	MORIN Oscar	10 - 0	2:00	IPO
B-4	GILLESPIE John	3	4	GODWIN Torsten	0 - 2	1:15	
B-9	DABROWSKI Kai	1	3	GILLESPIE John	10 - 0	2:00	IPO
B-10	MORIN Oscar	2	4	GODWIN Torsten	0 - 5	0:54	WAZ
B-15	DABROWSKI Kai	1	4	GODWIN Torsten	0 - 2	1:37	
B-16	MORIN Oscar	2	3	GILLESPIE John	0 - 10	2:00	IPO

Results/Résultats

Pos	Name/Nom
1	GODWIN Torsten, BC/Kelowna
2	DABROWSKI Kai, BC/Ishikawa Family
3	GILLESPIE John, USA/Seattle Judo Dojo
4	MORIN Oscar, BC/White Rock

U10 Male Group 7

Competitors/Compétiteurs

#	Name/Nom	Grade	Club	1	2	3	4	W/G	Pts	Pos
1	TATE Warwick	yellow/orange	BC/White Rock	XX	10	5	5	3	20	1
2	SHAHSAVAN Nick	yellow	BC/Champion		XX	5		1	5	3
3	KATZ Isaac	yellow	USA/Seattle Judo Dojo			XX		0	0	4
4	MEIRELLES Miguel	yellow/orange	BC/Kensington		2	2	XX	2	4	2

Matches/Matches

Match	White/Blanc			Blue/Bleu	Res/Rés	Tim/Tmp	Code
A-4	TATE Warwick	1	2	SHAHSAVAN Nick	10 - 0	2:00	IPO
A-7	KATZ Isaac	3	4	MEIRELLES Miguel	0 - 2	1:17	
A-14	TATE Warwick	1	3	KATZ Isaac	5 - 0	2:00	WAZ
A-15	SHAHSAVAN Nick	2	4	MEIRELLES Miguel	0 - 2	1:07	
A-25	TATE Warwick	1	4	MEIRELLES Miguel	5 - 0	2:00	WAZ
A-26	SHAHSAVAN Nick	2	3	KATZ Isaac	5 - 0	2:00	WAZ

Results/Résultats

Pos	Name/Nom
1	TATE Warwick, BC/White Rock
2	MEIRELLES Miguel, BC/Kensington
3	SHAHSAVAN Nick, BC/Champion
4	KATZ Isaac, USA/Seattle Judo Dojo

U10 Male Group 8

Competitors/Compétiteurs

#	Name/Nom	Grade	Club	1	2	1	2	1	2	W/G	Pts	Pos
1	SON Leo	yellow	BC/White Rock	XX		XX	5	XX	5	2	10	1
2	MCLEOD Fia	orange	BC/Champion	5	XX		XX		XX	1	5	2

Matches/Matches

Match	White/Blanc			Blue/Bleu	Res/Rés	Tim/Tmp	Code
A-9	SON Leo	1	2	MCLEOD Fia	0 - 5	2:00	WAZ
A-20	MCLEOD Fia	2	1	SON Leo	0 - 5	2:00	WAZ
A-30	SON Leo	1	2	MCLEOD Fia	5 - 0	2:00	WAZ

Results/Résultats

Pos	Name/Nom
1	SON Leo, BC/White Rock
2	MCLEOD Fia, BC/Champion

U12 Male Group 1

Competitors/Compétiteurs

#	Name/Nom	Grade	Club	1	2	3	4	5	W/G	Pts	Pos
1	LEE Pak Sen Marcus	yellow	BC/Ishikawa Family	XX		10			1	10	4
2	FOUQUETTE Noah	orange	BC/Champion	10	XX	10	10	10	4	40	1
3	SUPRATO Joshua	yellow	USA/Highlands Judo Dojo			XX			0	0	5
4	DHALIWAL Gurkaiden	yellow/orange	BC/White Rock	10		10	XX	10	3	30	2
5	NARIIWA Zachary	yellow	BC/Peak Judo Club	10		10		XX	2	20	3

Matches/Matches

Match	White/Blanc			Blue/Bleu	Res/Rés	Tim/Tmp	Code
C-1	DHALIWAL Gurkaiden	4	5	NARIIWA Zachary	10 - 0	1:04	WIP
C-2	LEE Pak Sen Marcus	1	2	FOUQUETTE Noah	0 - 10	0:07	IPO
C-7	SUPRATO Joshua	3	4	DHALIWAL Gurkaiden	0 - 10	0:00	FUS
C-8	LEE Pak Sen Marcus	1	5	NARIIWA Zachary	0 - 10	2:00	IPO
C-13	FOUQUETTE Noah	2	3	SUPRATO Joshua	10 - 0	0:00	FUS
C-14	LEE Pak Sen Marcus	1	4	DHALIWAL Gurkaiden	0 - 10	0:26	WIP
C-31	SUPRATO Joshua	3	5	NARIIWA Zachary	0 - 10	0:00	FUS
C-32	FOUQUETTE Noah	2	4	DHALIWAL Gurkaiden	10 - 0	0:30	WIP
C-39	LEE Pak Sen Marcus	1	3	SUPRATO Joshua	10 - 0	0:00	FUS
C-40	FOUQUETTE Noah	2	5	NARIIWA Zachary	10 - 0	0:15	IPO

Results/Résultats

Pos	Name/Nom
1	FOUQUETTE Noah, BC/Champion
2	DHALIWAL Gurkaiden, BC/White Rock
3	NARIIWA Zachary, BC/Peak Judo Club
4	LEE Pak Sen Marcus, BC/Ishikawa Family
5	SUPRATO Joshua, USA/Highlands Judo Dojo

U12 Male Group 2

Competitors/Compétiteurs

#	Name/Nom	Grade	Club	1	2	3	4	W/G	Pts	Pos
1	SHOOK Kieran	yellow	BC/White Rock	XX	10			1	10	3
2	RADLOWSKI Gabriel	yellow/orange	BC/White Rock		XX	10	10	2	20	1
3	KATZ Ari	orange	USA/Seattle Judo Dojo	5		XX		1	5	4
4	PARK Grayson	yellow	BC/Peak Judo Club	10		10	XX	2	20	2

Matches/Matches

Match	White/Blanc			Blue/Bleu	Res/Rés	Tim/Tmp	Code
B-23	SHOOK Kieran	1	2	RADLOWSKI Gabriel	10 - 0	1:44	WIP
B-24	KATZ Ari	3	4	PARK Grayson	0 - 10	2:00	IPO
B-29	SHOOK Kieran	1	3	KATZ Ari	0 - 5	2:00	WAZ
B-30	RADLOWSKI Gabriel	2	4	PARK Grayson	10 - 0	1:14	IPO
B-35	SHOOK Kieran	1	4	PARK Grayson	0 - 10	2:00	IPO
B-36	RADLOWSKI Gabriel	2	3	KATZ Ari	10 - 0	2:00	IPO

Results/Résultats

Pos	Name/Nom
1	RADLOWSKI Gabriel, BC/White Rock
2	PARK Grayson, BC/Peak Judo Club
3	SHOOK Kieran, BC/White Rock
4	KATZ Ari, USA/Seattle Judo Dojo

U12 Male Group 3

Competitors/Compétiteurs

#	Name/Nom	Grade	Club	1	2	3	4	W/G	Pts	Pos
1	Jl Jay	orange	BC/Abbotsford	XX		10		1	10	3
2	MUSTAFA Ibragimov	yellow	BC/Vernon	10	XX	10		2	20	2
3	BRIGGS Kippen	yellow/orange	YT/Shiroumakai			XX		0	0	4
4	ZAVALISHYN Yaromyr	yellow/orange	BC/Mudo Martial Arts	10	10	10	XX	3	30	1

Matches/Matches

Match	White/Blanc			Blue/Bleu	Res/Rés	Tim/Tmp	Code
B-19	Jl Jay	1	2	MUSTAFA Ibragimov	0 - 10	1:34	IPO
B-20	BRIGGS Kippen	3	4	ZAVALISHYN Yaromyr	0 - 10	0:35	IPO
B-25	Jl Jay	1	3	BRIGGS Kippen	10 - 0	1:29	IPO
B-26	MUSTAFA Ibragimov	2	4	ZAVALISHYN Yaromyr	0 - 10	1:46	IPO
B-31	Jl Jay	1	4	ZAVALISHYN Yaromyr	0 - 10	0:33	IPO
B-32	MUSTAFA Ibragimov	2	3	BRIGGS Kippen	10 - 0	1:42	WIP

Results/Résultats

Pos	Name/Nom
1	ZAVALISHYN Yaromyr, BC/Mudo Martial Arts
2	MUSTAFA Ibragimov, BC/Vernon
3	Jl Jay, BC/Abbotsford
4	BRIGGS Kippen, YT/Shiroumakai

U12 Male Group 4

Competitors/Compétiteurs

#	Name/Nom	Grade	Club	1	2	3	4	5	W/G	Pts	Pos
1	APPELDOORN Mitchell	yellow	BC/Lake Country	XX		10			1	10	4
2	TARASOV Mikhail	yellow/orange	BC/White Rock	10	XX	10		10	3	30	3
3	PETROVIC Maksim	yellow	BC/Steveston			XX			0	0	5
4	SMEISEM Mohamad	yellow	BC/Abbotsford	10	10	10	XX		3	30	2
5	SOLIGO Xaviar	yellow	BC/Police Jr.	10		10	10	XX	3	30	1

Matches/Matches

Match	White/Blanc			Blue/Bleu	Res/Rés	Tim/Tmp	Code
D-1	SMEISEM Mohamad	4	5	SOLIGO Xaviar	0 - 10	0:28	IPO
D-2	APPELDOORN Mitchell	1	2	TARASOV Mikhail	0 - 10	1:54	WIP
D-11	PETROVIC Maksim	3	4	SMEISEM Mohamad	0 - 10	0:00	KIK
D-13	APPELDOORN Mitchell	1	5	SOLIGO Xaviar	0 - 10	0:19	IPO
D-22	TARASOV Mikhail	2	3	PETROVIC Maksim	10 - 0	0:00	FUS
D-23	APPELDOORN Mitchell	1	4	SMEISEM Mohamad	0 - 10	0:40	IPO
D-30	PETROVIC Maksim	3	5	SOLIGO Xaviar	0 - 10	0:00	KIK
D-31	TARASOV Mikhail	2	4	SMEISEM Mohamad	0 - 10	0:49	IPO
D-35	APPELDOORN Mitchell	1	3	PETROVIC Maksim	10 - 0	0:00	IPO
D-36	TARASOV Mikhail	2	5	SOLIGO Xaviar	10 - 0	1:12	IPO

Results/Résultats

Pos	Name/Nom
1	SOLIGO Xaviar, BC/Police Jr.
1	SMEISEM Mohamad, BC/Abbotsford
1	TARASOV Mikhail, BC/White Rock
1	APPELDOORN Mitchell, BC/Lake Country
1	PETROVIC Maksim, BC/Steveston

U12 Male Group 5

Competitors/Compétiteurs

#	Name/Nom	Grade	Club	1	2	3	W/G	Pts	Pos
1	DENNIS Tomoki	yellow/orange	BC/Abbotsford	XX	5		1	5	2
2	ZHUANG Jeremy	yellow	BC/White Rock		XX		0	0	3
3	CHANG Aidan	yellow	BC/Peak Judo Club	10	10	XX	2	20	1

Matches/Matches

Match	White/Blanc			Blue/Bleu	Res/Rés	Tim/Tmp	Code
D-7	DENNIS Tomoki	1	2	ZHUANG Jeremy	5 - 0	2:00	WAZ
D-12	DENNIS Tomoki	1	3	CHANG Aidan	0 - 10	1:58	IPO
D-18	ZHUANG Jeremy	2	3	CHANG Aidan	0 - 10	0:10	IPO

Results/Résultats

Pos	Name/Nom
1	CHANG Aidan, BC/Peak Judo Club
2	DENNIS Tomoki, BC/Abbotsford
3	ZHUANG Jeremy, BC/White Rock

U12 Male Group 6

Competitors/Compétiteurs

#	Name/Nom	Grade	Club	1	2	3	4	W/G	Pts	Pos
1	GAO Elijah	yellow	BC/Steveston	XX		10	10	2	20	2
2	TERAMURA Micah	yellow/orange	BC/Steveston	10	XX	10	10	3	30	1
3	KHOSA Arjun	yellow	BC/Abbotsford			XX		0	0	4
4	BOSYY Daniel	yellow/orange	BC/White Rock			10	XX	1	10	3

Matches/Matches

Match	White/Blanc			Blue/Bleu	Res/Rés	Tim/Tmp	Code
B-21	GAO Elijah	1	2	TERAMURA Micah	0 - 10	0:56	IPO
B-22	KHOSA Arjun	3	4	BOSYY Daniel	0 - 10	0:59	IPO
B-27	GAO Elijah	1	3	KHOSA Arjun	10 - 0	0:11	IPO
B-28	TERAMURA Micah	2	4	BOSYY Daniel	10 - 0	1:12	IPO
B-33	GAO Elijah	1	4	BOSYY Daniel	10 - 0	2:00	IPO
B-34	TERAMURA Micah	2	3	KHOSA Arjun	10 - 0	0:57	WIP

Results/Résultats

Pos	Name/Nom
1	TERAMURA Micah, BC/Steveston
2	GAO Elijah, BC/Steveston
3	BOSYY Daniel, BC/White Rock
4	KHOSA Arjun, BC/Abbotsford

U12 Male Group 7

Competitors/Compétiteurs

#	Name/Nom	Grade	Club	1	2	3	4	W/G	Pts	Pos
1	HOWL Callum	yellow/orange	BC/Mudo Martial Arts	XX				0	0	4
2	KIM Min Joon	yellow/orange	BC/Mudo Martial Arts	10	XX	10		2	20	2
3	DHALIWAL Robby	yellow/orange	BC/White Rock	10		XX		1	10	3
4	HESAMI Danesh	orange	BC/Langley	10	10	10	XX	3	30	1

Matches/Matches

Match	White/Blanc			Blue/Bleu	Res/Rés	Tim/Tmp	Code
D-8	HOWL Callum	1	2	KIM Min Joon	0 - 10	0:41	WIP
D-9	DHALIWAL Robby	3	4	HESAMI Danesh	0 - 10	0:16	IPO
D-19	HOWL Callum	1	3	DHALIWAL Robby	0 - 10	2:00	IPO
D-20	KIM Min Joon	2	4	HESAMI Danesh	0 - 10	0:49	IPO
D-28	HOWL Callum	1	4	HESAMI Danesh	0 - 10	0:44	WIP
D-29	KIM Min Joon	2	3	DHALIWAL Robby	10 - 0	1:52	IPO

Results/Résultats

Pos	Name/Nom
1	HESAMI Danesh, BC/Langley
2	KIM Min Joon, BC/Mudo Martial Arts
3	DHALIWAL Robby, BC/White Rock
4	HOWL Callum, BC/Mudo Martial Arts

U12 Male Group 8

Competitors/Compétiteurs

#	Name/Nom	Grade	Club	1	2	3	4	W/G	Pts	Pos
1	PANERIO Kingston	yellow	BC/Steveston	XX		10		1	10	3
2	IERMUSEVYCH Alex	yellow/orange	BC/White Rock	10	XX	10		2	20	2
3	THOMPSON Jude	yellow/orange	BC/Lake Country			XX		0	0	4
4	CRYER Beau	orange/green	BC/Abbotsford	10	10	10	XX	3	30	1

Matches/Matches

Match	White/Blanc			Blue/Bleu	Res/Rés	Tim/Tmp	Code
C-9	PANERIO Kingston	1	2	IERMUSEVYCH Alex	0 - 10	0:19	IPO
C-10	THOMPSON Jude	3	4	CRYER Beau	0 - 10	0:51	WIP
C-21	PANERIO Kingston	1	3	THOMPSON Jude	10 - 0	1:34	WIP
C-22	IERMUSEVYCH Alex	2	4	CRYER Beau	0 - 10	2:00	IPO
C-33	PANERIO Kingston	1	4	CRYER Beau	0 - 10	0:30	WIP
C-34	IERMUSEVYCH Alex	2	3	THOMPSON Jude	10 - 0	0:40	IPO

Results/Résultats

Pos	Name/Nom
1	CRYER Beau, BC/Abbotsford
2	IERMUSEVYCH Alex, BC/White Rock
3	PANERIO Kingston, BC/Steveston
4	THOMPSON Jude, BC/Lake Country

U12 Male Group 9

Competitors/Compétiteurs

#	Name/Nom	Grade	Club	1	2	3	4	5	W/G	Pts	Pos
1	BURLAKA Matvii	yellow/orange	BC/White Rock	XX	10	5	10	5	4	30	1
2	CHAHAL Samsher	orange	BC/Abbotsford		XX		10		1	10	4
3	VIEAUX Silas	orange	BC/Nanaimo		10	XX	10		2	20	3
4	FELGAR Eli	yellow/orange	BC/Steveston				XX		0	0	5
5	LIU Tyler	yellow/orange	BC/Steveston		10	10	10	XX	3	30	2

Matches/Matches

Match	White/Blanc			Blue/Bleu	Res/Rés	Tim/Tmp	Code
D-5	FELGAR Eli	4	5	LIU Tyler	0 - 10	1:51	WIP
D-6	BURLAKA Matvii	1	2	CHAHAL Samsher	10 - 0	0:51	IPO
D-16	VIEAUX Silas	3	4	FELGAR Eli	10 - 0	0:18	IPO
D-17	BURLAKA Matvii	1	5	LIU Tyler	5 - 0	2:00	WAZ
D-26	CHAHAL Samsher	2	3	VIEAUX Silas	0 - 10	0:30	WIP
D-27	BURLAKA Matvii	1	4	FELGAR Eli	10 - 0	0:26	IPO
D-32	VIEAUX Silas	3	5	LIU Tyler	0 - 10	1:10	IPO
D-33	CHAHAL Samsher	2	4	FELGAR Eli	10 - 0	2:00	IPO
D-37	BURLAKA Matvii	1	3	VIEAUX Silas	5 - 0	2:00	WAZ
D-38	CHAHAL Samsher	2	5	LIU Tyler	0 - 10	1:38	IPO

Results/Résultats

Pos	Name/Nom
1	BURLAKA Matvii, BC/White Rock
2	LIU Tyler, BC/Steveston
3	VIEAUX Silas, BC/Nanaimo
4	CHAHAL Samsher, BC/Abbotsford
5	FELGAR Eli, BC/Steveston

U12 Female Group 1

Competitors/Compétiteurs

#	Name/Nom	Grade	Club	1	2	3	4	W/G	Pts	Pos
1	CLOSE Natalie	yellow	BC/White Rock	XX				0	0	4
2	SANDHU Ava	yellow	BC/White Rock	10	XX			1	10	3
3	GIESBRECHT Olivia	yellow	BC/Abbotsford	10	10	XX	10	3	30	1
4	RAUCH Anna	yellow	BC/Abbotsford	10	10		XX	2	20	2

Matches/Matches

Match	White/Blanc			Blue/Bleu	Res/Rés	Tim/Tmp	Code
C-5	CLOSE Natalie	1	2	SANDHU Ava	0 - 10	0:00	FUS
C-6	GIESBRECHT Olivia	3	4	RAUCH Anna	10 - 0	1:35	IPO
C-17	CLOSE Natalie	1	3	GIESBRECHT Olivia	0 - 10	0:00	FUS
C-18	SANDHU Ava	2	4	RAUCH Anna	0 - 10	0:17	IPO
C-27	CLOSE Natalie	1	4	RAUCH Anna	0 - 10	0:00	FUS
C-28	SANDHU Ava	2	3	GIESBRECHT Olivia	0 - 10	0:40	WIP

Results/Résultats

Pos	Name/Nom
1	GIESBRECHT Olivia, BC/Abbotsford
2	RAUCH Anna, BC/Abbotsford
3	SANDHU Ava, BC/White Rock
4	CLOSE Natalie, BC/White Rock

U12 Female Group 2

Competitors/Compétiteurs

#	Name/Nom	Grade	Club	1	2	3	4	W/G	Pts	Pos
1	MAIHARA Mari	yellow	BC/Ishikawa Family	XX			10	1	10	3
2	HUANG Jiesi	yellow/orange	BC/Mudo Martial Arts	10	XX		10	2	20	2
3	LI Naxi	orange/green	USA/Phoenix Judo Club	10	10	XX	10	3	30	1
4	GUEVARA Tori	orange	BC/Nanaimo				XX	0	0	4

Matches/Matches

Match	White/Blanc			Blue/Bleu	Res/Rés	Tim/Tmp	Code
C-15	MAIHARA Mari	1	2	HUANG Jiesi	0 - 10	0:37	WIP
C-16	LI Naxi	3	4	GUEVARA Tori	10 - 0	0:00	FUS
C-25	MAIHARA Mari	1	3	LI Naxi	0 - 10	0:35	WIP
C-26	HUANG Jiesi	2	4	GUEVARA Tori	10 - 0	0:00	FUS
C-37	MAIHARA Mari	1	4	GUEVARA Tori	10 - 0	0:00	FUS
C-38	HUANG Jiesi	2	3	LI Naxi	0 - 10	2:00	IPO

Results/Résultats

Pos	Name/Nom
1	LI Naxi, USA/Phoenix Judo Club
2	HUANG Jiesi, BC/Mudo Martial Arts
3	MAIHARA Mari, BC/Ishikawa Family
4	GUEVARA Tori, BC/Nanaimo

U12 Female Group 3

Competitors/Compétiteurs

#	Name/Nom	Grade	Club	1	2	3	4	W/G	Pts	Pos
1	LUU Leah	yellow	BC/White Rock	XX		10	10	2	20	2
2	HOFFMANN Perrin	yellow	BC/White Rock	10	XX	10		2	20	3
3	TOOR Ashnavir	yellow	BC/Abbotsford			XX		0	0	4
4	KENNY Quinn	orange	BC/Abbotsford		10	10	XX	2	20	1

Matches/Matches

Match	White/Blanc			Blue/Bleu	Res/Rés	Tim/Tmp	Code
C-3	LUU Leah	1	2	HOFFMANN Perrin	0 - 10	2:00	IPO
C-4	TOOR Ashnavir	3	4	KENNY Quinn	0 - 10	0:49	WIP
C-19	LUU Leah	1	3	TOOR Ashnavir	10 - 0	0:16	WIP
C-20	HOFFMANN Perrin	2	4	KENNY Quinn	0 - 10	1:11	WIP
C-29	LUU Leah	1	4	KENNY Quinn	10 - 0	2:00	IPO
C-30	HOFFMANN Perrin	2	3	TOOR Ashnavir	10 - 0	1:03	WIP

Results/Résultats

Pos	Name/Nom
1	KENNY Quinn, BC/Abbotsford
1	LUU Leah, BC/White Rock
1	HOFFMANN Perrin, BC/White Rock
1	TOOR Ashnavir, BC/Abbotsford

U12 Female Group 4

Competitors/Compétiteurs

#	Name/Nom	Grade	Club	1	2	3	4	W/G	Pts	Pos
1	AU Natalie	yellow/orange	BC/Peak Judo Club	XX	10	10	10	3	30	1
2	WALKER Keira	yellow	BC/Lake Country		XX			0	0	4
3	BHOGAL Chanel	orange	BC/White Rock		10	XX	10	2	20	2
4	GILCHRIST Jade	yellow	BC/Westsyde		10		XX	1	10	3

Matches/Matches

Match	White/Blanc			Blue/Bleu	Res/Rés	Tim/Tmp	Code
D-3	AU Natalie	1	2	WALKER Keira	10 - 0	0:00	KIK
D-4	BHOGAL Chanel	3	4	GILCHRIST Jade	10 - 0	0:37	IPO
D-14	AU Natalie	1	3	BHOGAL Chanel	10 - 0	1:03	IPO
D-15	WALKER Keira	2	4	GILCHRIST Jade	0 - 10	0:00	FUS
D-24	AU Natalie	1	4	GILCHRIST Jade	10 - 0	0:50	WIP
D-25	WALKER Keira	2	3	BHOGAL Chanel	0 - 10	0:00	FUS

Results/Résultats

Pos	Name/Nom
1	AU Natalie, BC/Peak Judo Club
2	BHOGAL Chanel, BC/White Rock
3	GILCHRIST Jade, BC/Westsyde
4	WALKER Keira, BC/Lake Country

U12 Female Group 5

Competitors/Compétiteurs

#	Name/Nom	Grade	Club	1	2	3	W/G	Pts	Pos
1	PENTLAND Kaede	orange	BC/Steveston	XX			0	0	3
2	MCKEOWN Aniko	orange/green	BC/White Rock	10	XX		1	10	2
3	MCCLEERY Hadley	green	ON/Ippon Judo Club	10	10	XX	2	20	1

Matches/Matches

Match	White/Blanc			Blue/Bleu	Res/Rés	Tim/Tmp	Code
D-10	PENTLAND Kaede	1	2	MCKEOWN Aniko	0 - 10	1:55	WIP
D-21	PENTLAND Kaede	1	3	MCCLEERY Hadley	0 - 10	0:44	IPO
D-34	MCKEOWN Aniko	2	3	MCCLEERY Hadley	0 - 10	1:50	WIP

Results/Résultats

Pos	Name/Nom
1	MCCLEERY Hadley, ON/Ippon Judo Club
2	MCKEOWN Aniko, BC/White Rock
3	PENTLAND Kaede, BC/Steveston

U12 Female Group 6

Competitors/Compétiteurs

#	Name/Nom	Grade	Club	1	2	3	4	W/G	Pts	Pos
1	MILLER Madisyn	green	USA/Ippon Judo Dojo	XX	10	10	10	3	30	1
2	GILLESPIE Elizabeth	yellow	USA/Seattle Judo Dojo		XX			0	0	4
3	MORRIS Cadence	yellow/orange	BC/Hart		10	XX	10	2	20	2
4	TAKEKAWA Ayaka	orange	BC/Nanaimo		10		XX	1	10	3

Matches/Matches

Match	White/Blanc			Blue/Bleu	Res/Rés	Tim/Tmp	Code
C-11	MILLER Madisyn	1	2	GILLESPIE Elizabeth	10 - 0	1:04	IPO
C-12	MORRIS Cadence	3	4	TAKEKAWA Ayaka	10 - 0	1:59	WIP
C-23	MILLER Madisyn	1	3	MORRIS Cadence	10 - 0	0:30	IPO
C-24	GILLESPIE Elizabeth	2	4	TAKEKAWA Ayaka	0 - 10	2:00	IPO
C-35	MILLER Madisyn	1	4	TAKEKAWA Ayaka	10 - 0	1:24	IPO
C-36	GILLESPIE Elizabeth	2	3	MORRIS Cadence	0 - 10	2:00	IPO

Results/Résultats

Pos	Name/Nom
1	MILLER Madisyn, USA/Ippon Judo Dojo
2	MORRIS Cadence, BC/Hart
3	TAKEKAWA Ayaka, BC/Nanaimo
4	GILLESPIE Elizabeth, USA/Seattle Judo Dojo

U14 Female -36kg

Competitors/Compétiteurs

#	Name/Nom	Grade	Club	1	2	3	W/G	Pts	Pos
1	SYER Rylee	orange	AB/Airdrie	XX			0	0	3
2	MCCLEERY Hadley	green	ON/Ippon Judo Club	10	XX	10	2	20	1
3	COVASER Vanessa	green/blue	BC/Peak Judo Club	10		XX	1	10	2

Matches/Matches

Match	White/Blanc			Blue/Bleu	Res/Rés	Tim/Tmp	Code
A-8	SYER Rylee	1	2	MCCLEERY Hadley	0 - 10	0:23	IPO
A-17	SYER Rylee	1	3	COVASER Vanessa	0 - 10	0:37	IPO
A-26	MCCLEERY Hadley	2	3	COVASER Vanessa	10 - 0	1:59	IPO

Results/Résultats

Pos	Name/Nom
1	MCCLEERY Hadley, ON/Ippon Judo Club
2	COVASER Vanessa, BC/Peak Judo Club

U14 Female -44kg

Competitors/Compétiteurs

#	Name/Nom	Grade	Club	1	2	3	4	5	W/G	Pts	Pos
1	ABOUGHOUSHE Scarlett	green	AB/Kodokwai	XX				5	1	5	4
2	LI Anna	orange	SK/Regina Y	10	XX			10	2	20	3
3	LI Sophie	green	USA/Phoenix Judo club	10	10	XX		10	3	30	2
4	AU Megan	green/blue	BC/Peak Judo Club	10	10	10	XX	10	4	40	1
5	YIN Abigail	green	BC/Prince George					XX	0	0	5

Matches/Matches

Match	White/Blanc			Blue/Bleu	Res/Rés	Tim/Tmp	Code
B-1	AU Megan	4	5	YIN Abigail	10 - 0	1:12	WIP
B-2	ABOUGHOUSHE Scarlett	1	2	LI Anna	0 - 10	0:54	WIP
B-6	LI Sophie	3	4	AU Megan	0 - 10	3:00	IPO
B-7	ABOUGHOUSHE Scarlett	1	5	YIN Abigail	5 - 0	3:00	WAZ
B-11	LI Anna	2	3	LI Sophie	0 - 10	0:39	WIP
B-12	ABOUGHOUSHE Scarlett	1	4	AU Megan	0 - 10	0:34	IPO
B-17	LI Sophie	3	5	YIN Abigail	10 - 0	0:11	IPO
B-18	LI Anna	2	4	AU Megan	0 - 10	1:02	IPO
B-25	ABOUGHOUSHE Scarlett	1	3	LI Sophie	0 - 10	0:17	IPO
B-26	LI Anna	2	5	YIN Abigail	10 - 0	3:00	IPO

Results/Résultats

Pos	Name/Nom
1	AU Megan, BC/Peak Judo Club
2	LI Sophie, USA/Phoenix Judo club
3	LI Anna, SK/Regina Y
4	ABOUGHOUSHE Scarlett, AB/Kodokwai

U14 Female -52kg

Competitors/Compétiteurs

#	Name/Nom	Grade	Club	1	2	3	W/G	Pts	Pos
1	DYCK Jaycie	orange	BC/Hart	XX	5		1	5	2
2	CHRISTEN Erin	orange/green	BC/Abbotsford		XX		0	0	3
3	MORRISON Eilidh	orange	AB/Ishi Yama	10	10	XX	2	20	1

Matches/Matches

Match	White/Blanc			Blue/Bleu	Res/Rés	Tim/Tmp	Code
B-15	DYCK Jaycie	1	2	CHRISTEN Erin	5 - 0	3:00	WAZ
B-23	DYCK Jaycie	1	3	MORRISON Eilidh	0 - 10	2:09	WIP
B-31	CHRISTEN Erin	2	3	MORRISON Eilidh	0 - 10	0:25	WIP

Results/Résultats

Pos	Name/Nom
1	MORRISON Eilidh, AB/Ishi Yama
2	DYCK Jaycie, BC/Hart

U14 Female -63kg

Competitors/Compétiteurs

#	Name/Nom	Grade	Club	1	2	1	2	1	2	W/G	Pts	Pos
1	PUSHKIN Aurora	green	BC/Steveston	XX		XX	10	XX		1	10	2
2	SUMMERS Victoria	blue	ON/Ajax Budokan	10	XX		XX	10	XX	2	20	1

Matches/Matches

Match	White/Blanc			Blue/Bleu	Res/Rés	Tim/Tmp	Code
D-13	PUSHKIN Aurora	1	2	SUMMERS Victoria	0 - 10	0:43	IPO
D-22	SUMMERS Victoria	2	1	PUSHKIN Aurora	0 - 10	3:00	IPO
D-31	PUSHKIN Aurora	1	2	SUMMERS Victoria	0 - 10	0:28	WIP

Results/Résultats

Pos	Name/Nom
1	SUMMERS Victoria, ON/Ajax Budokan
2	PUSHKIN Aurora, BC/Steveston

U14 Male -32kg

Competitors/Compétiteurs

#	Name/Nom	Grade	Club	1	2	1	2	1	2	W/G	Pts	Pos
1	SUDA Kai	orange	BC/Kizuna Judo Club	XX	10	XX	5	XX		2	15	1
2	EMERSON Kolton	orange/green	BC/Abbotsford		XX		XX		XX	0	0	2

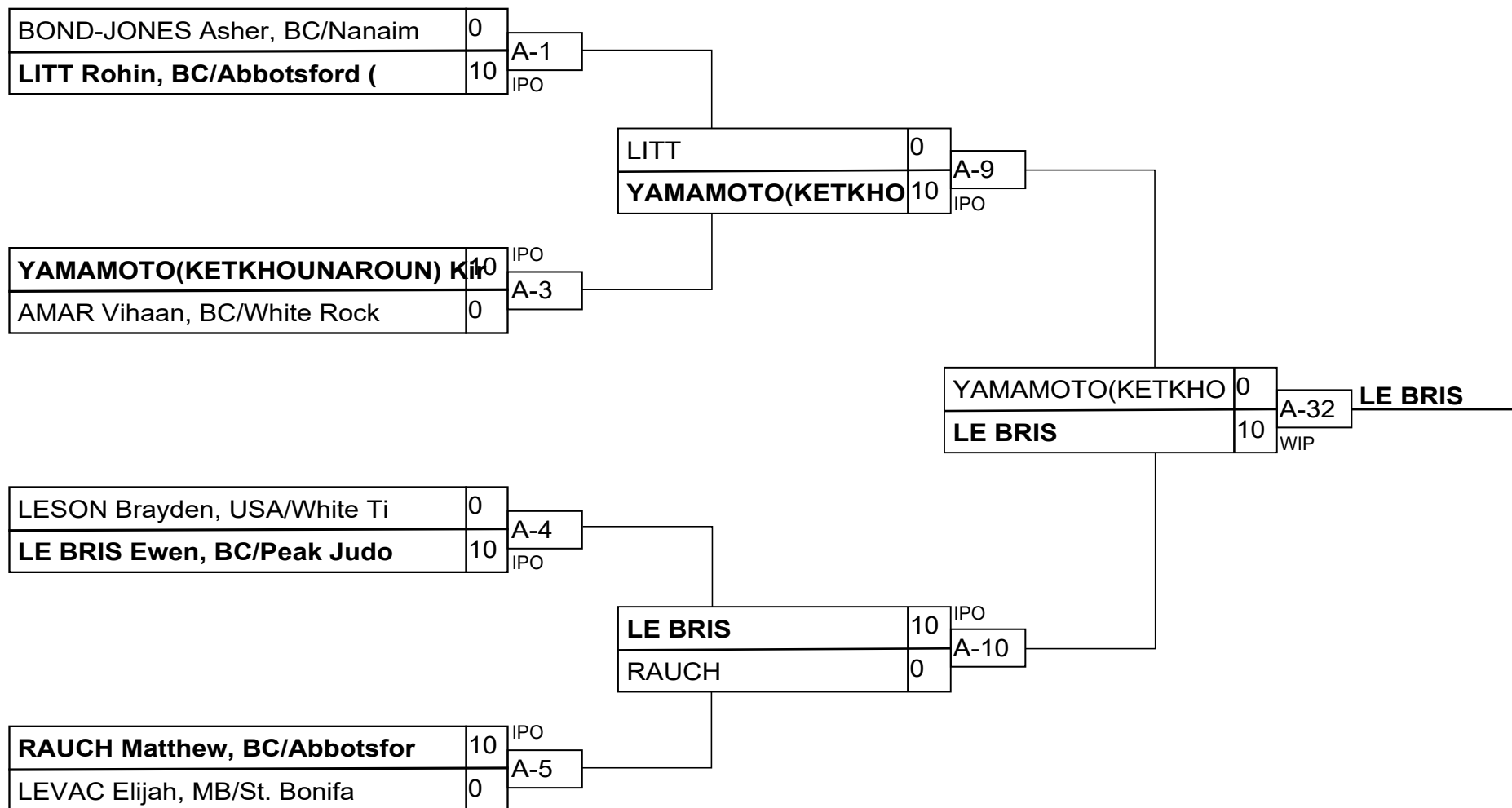
Matches/Matches

Match	White/Blanc			Blue/Bleu	Res/Rés	Tim/Tmp	Code
C-5	SUDA Kai	1	2	EMERSON Kolton	10 - 0	3:00	IPO
C-21	EMERSON Kolton	2	1	SUDA Kai	0 - 5	3:00	WAZ
C-29	SUDA Kai	1	2	EMERSON Kolton			

Results/Résultats

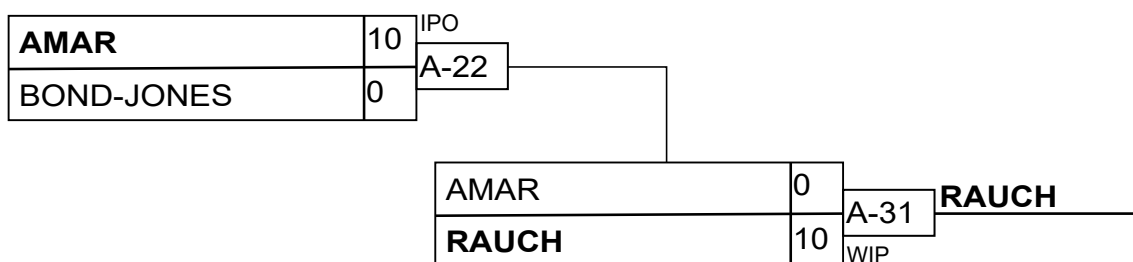
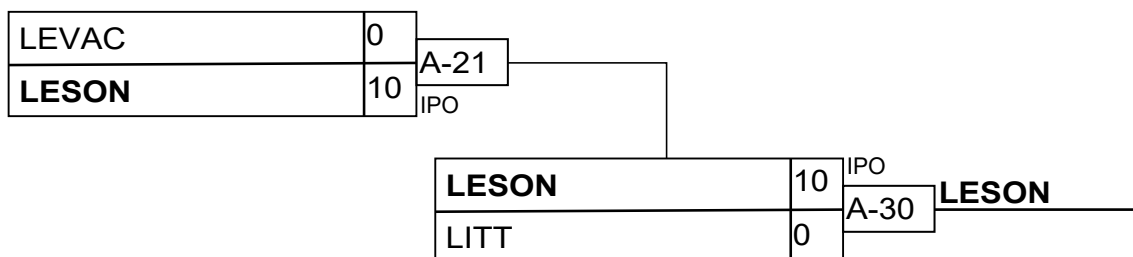
Pos	Name/Nom
1	SUDA Kai, BC/Kizuna Judo Club

U14 Male -38kg



Results/Résultats

Pos	Name/Nom
1	LE BRIS Ewen, BC/Peak Ju
2	YAMAMOTO(KETKHOUNAROUN)
3	LESON Brayden, USA/White
3	RAUCH Matthew, BC/Abbots



U14 Male -42kg

Competitors/Compétiteurs

#	Name/Nom	Grade	Club	1	2	3	4	5	W/G	Pts	Pos
1	SANDU Dumitru	green	AB/Ishi Yama	XX	10	5	10	10	4	35	1
2	PARKER Sebastian	orange/green	AB/Barracuda		XX		10		1	10	4
3	LEONARD Felix	green	SK/Moose Jaw		10	XX	10		2	20	3
4	MARCK Michael	orange	BC/Nanaimo				XX		0	0	5
5	CARTWRIGHT Landen	green	BC/Prince George		10	5	10	XX	3	25	2

Matches/Matches

Match	White/Blanc			Blue/Bleu	Res/Rés	Tim/Tmp	Code
D-1	MARCK Michael	4	5	CARTWRIGHT Landen	0 - 10	0:36	IPO
D-2	SANDU Dumitru	1	2	PARKER Sebastian	10 - 0	0:13	IPO
D-6	LEONARD Felix	3	4	MARCK Michael	10 - 0	0:13	IPO
D-7	SANDU Dumitru	1	5	CARTWRIGHT Landen	10 - 0	0:35	IPO
D-11	PARKER Sebastian	2	3	LEONARD Felix	0 - 10	0:49	IPO
D-12	SANDU Dumitru	1	4	MARCK Michael	10 - 0	3:00	WIP
D-16	LEONARD Felix	3	5	CARTWRIGHT Landen	0 - 5	1:35	WAZ
D-17	PARKER Sebastian	2	4	MARCK Michael	10 - 0	0:38	IPO
D-25	SANDU Dumitru	1	3	LEONARD Felix	5 - 0	3:00	WAZ
D-26	PARKER Sebastian	2	5	CARTWRIGHT Landen	0 - 10	0:29	IPO

Results/Résultats

Pos	Name/Nom
1	SANDU Dumitru, AB/Ishi Yama
2	CARTWRIGHT Landen, BC/Prince George
3	LEONARD Felix, SK/Moose Jaw
4	PARKER Sebastian, AB/Barracuda

U14 Male -42kg (TB)

Competitors/Compétiteurs

#	Name/Nom	Grade	Club	1	2	3	W/G	Pts	Pos
1	PARKER Sebastian	orange/green	AB/Barracuda	XX			0	0	3
2	CARTWRIGHT Landen	green	BC/Prince George	10	XX	5	2	15	1
3	LEONARD Felix	green	SK/Moose Jaw	10		XX	1	10	2

Matches/Matches

Match	White/Blanc			Blue/Bleu	Res/Rés	Tim/Tmp	Code
D-32	PARKER Sebastian	1	2	CARTWRIGHT Landen	0 - 10	0:29	GSI
D-33	PARKER Sebastian	1	3	LEONARD Felix	0 - 10	0:49	IPO
D-34	CARTWRIGHT Landen	2	3	LEONARD Felix	5 - 0	1:35	WAZ

Results/Résultats

Pos	Name/Nom
1	CARTWRIGHT Landen, BC/Prince George
2	LEONARD Felix, SK/Moose Jaw

U14 Male -46kg

Competitors/Compétiteurs

#	Name/Nom	Grade	Club	1	2	3	4	5	W/G	Pts	Pos
1	HOLLIDAY Lyndon	green	BC/Prince George	XX		5	10	10	3	25	2
2	LAXAMANA Gabriel Lucas	blue	USA/Phoenix Judo club	10	XX	10	10	10	4	40	1
3	CICATI Matvei	green	AB/Ishi Yama			XX	10	10	2	20	3
4	SIMPSON Jaxon	orange	BC/Abbotsford				XX	10	1	10	4
5	EMERSON Keagan	orange/green	BC/Abbotsford					XX	0	0	5

Matches/Matches

Match	White/Blanc			Blue/Bleu	Res/Rés	Tim/Tmp	Code
B-3	SIMPSON Jaxon	4	5	EMERSON Keagan	10 - 0	0:00	FUS
B-4	HOLLIDAY Lyndon	1	2	LAXAMANA Gabriel Lucas	0 - 10	0:33	IPO
B-8	CICATI Matvei	3	4	SIMPSON Jaxon	10 - 0	0:54	WIP
B-9	HOLLIDAY Lyndon	1	5	EMERSON Keagan	10 - 0	0:00	FUS
B-13	LAXAMANA Gabriel Lucas	2	3	CICATI Matvei	10 - 0	0:13	IPO
B-14	HOLLIDAY Lyndon	1	4	SIMPSON Jaxon	10 - 0	0:11	IPO
B-19	CICATI Matvei	3	5	EMERSON Keagan	10 - 0	0:00	FUS
B-20	LAXAMANA Gabriel Lucas	2	4	SIMPSON Jaxon	10 - 0	0:11	IPO
B-27	HOLLIDAY Lyndon	1	3	CICATI Matvei	5 - 0	3:00	WAZ
B-28	LAXAMANA Gabriel Lucas	2	5	EMERSON Keagan	10 - 0	0:00	FUS

Results/Résultats

Pos	Name/Nom
1	LAXAMANA Gabriel Lucas, USA/Phoenix Judo club
2	HOLLIDAY Lyndon, BC/Prince George
3	CICATI Matvei, AB/Ishi Yama
4	SIMPSON Jaxon, BC/Abbotsford

U14 Male -50kg

Competitors/Compétiteurs

#	Name/Nom	Grade	Club	1	2	3	4	5	W/G	Pts	Pos
1	DILIO Ethan	green	AB/Kodokwai	XX	10		10		2	20	3
2	CRYER Beau	orange/green	BC/Abbotsford		XX				0	0	5
3	MORRISON Samuel	green	AB/Kodokwai	10	10	XX	10	10	4	40	1
4	TAKEKAWA Masato	green	BC/Nanaimo		10		XX		1	10	4
5	WANNER Samuel	orange/green	BC/White Rock	10	10		10	XX	3	30	2

Matches/Matches

Match	White/Blanc			Blue/Bleu	Res/Rés	Tim/Tmp	Code
C-3	TAKEKAWA Masato	4	5	WANNER Samuel	0 - 10	0:18	WIP
C-4	DILIO Ethan	1	2	CRYER Beau	10 - 0	2:14	IPO
C-8	MORRISON Samuel	3	4	TAKEKAWA Masato	10 - 0	2:52	IPO
C-9	DILIO Ethan	1	5	WANNER Samuel	0 - 10	0:15	IPO
C-13	CRYER Beau	2	3	MORRISON Samuel	0 - 10	0:20	IPO
C-14	DILIO Ethan	1	4	TAKEKAWA Masato	10 - 0	0:18	IPO
C-19	MORRISON Samuel	3	5	WANNER Samuel	10 - 0	0:08	IPO
C-20	CRYER Beau	2	4	TAKEKAWA Masato	0 - 10	2:59	IPO
C-27	DILIO Ethan	1	3	MORRISON Samuel	0 - 10	0:28	IPO
C-28	CRYER Beau	2	5	WANNER Samuel	0 - 10	0:46	IPO

Results/Résultats

Pos	Name/Nom
1	MORRISON Samuel, AB/Kodokwai
2	WANNER Samuel, BC/White Rock
3	DILIO Ethan, AB/Kodokwai
4	TAKEKAWA Masato, BC/Nanaimo

U14 Male -60kg

Competitors/Compétiteurs

#	Name/Nom	Grade	Club	1	2	3	4	W/G	Pts	Pos
1	TORENVLIET Jude	orange	BC/Abbotsford	XX			10	1	10	3
2	Jl Leo	orange/green	BC/Abbotsford	5	XX		10	2	15	2
3	BONDARI Roman	blue	USA/Phoenix Judo club	10	10	XX	10	3	30	1
4	GROOTEN Shane	orange/green	BC/Hart				XX	0	0	4

Matches/Matches

Match	White/Blanc			Blue/Bleu	Res/Rés	Tim/Tmp	Code
A-12	TORENVLIET Jude	1	2	Jl Leo	0 - 5	3:00	WAZ
A-13	BONDARI Roman	3	4	GROOTEN Shane	10 - 0	1:45	IPO
A-19	TORENVLIET Jude	1	3	BONDARI Roman	0 - 10	0:12	IPO
A-20	Jl Leo	2	4	GROOTEN Shane	10 - 0	0:10	IPO
A-28	TORENVLIET Jude	1	4	GROOTEN Shane	10 - 0	2:57	WIP
A-29	Jl Leo	2	3	BONDARI Roman	0 - 10	0:15	IPO

Results/Résultats

Pos	Name/Nom
1	BONDARI Roman, USA/Phoenix Judo club
2	Jl Leo, BC/Abbotsford
3	TORENVLIET Jude, BC/Abbotsford

U14 Male -66kg

Competitors/Compétiteurs

#	Name/Nom	Grade	Club	1	2	3	W/G	Pts	Pos
1	CLARK Layne	green	BC/Prince George	XX	10		1	10	2
2	HOLT Preston	green	BC/Prince George		XX		0	0	3
3	WOODARD Braylen	orange	USA/Highlands Judo Dojo	10	10	XX	2	20	1

Matches/Matches

Match	White/Blanc			Blue/Bleu	Res/Rés	Tim/Tmp	Code
A-2	CLARK Layne	1	2	HOLT Preston	10 - 0	1:05	IPO
A-14	CLARK Layne	1	3	WOODARD Braylen	0 - 10	0:11	IPO
A-23	HOLT Preston	2	3	WOODARD Braylen	0 - 10	1:25	WIP

Results/Résultats

Pos	Name/Nom
1	WOODARD Braylen, USA/Highlands Judo Dojo
2	CLARK Layne, BC/Prince George

U14 Male +66kg

Competitors/Compétiteurs

#	Name/Nom	Grade	Club	1	2	1	2	1	2	W/G	Pts	Pos
1	ZAHEDI Datis Cy	green	BC/Champion	XX	5	XX		XX	5	2	10	1
2	MAPLE Dominik	orange	BC/Abbotsford		XX	10	XX		XX	1	10	2

Matches/Matches

Match	White/Blanc			Blue/Bleu	Res/Rés	Tim/Tmp	Code
A-11	ZAHEDI Datis Cy	1	2	MAPLE Dominik	5 - 0	3:00	WAZ
A-18	MAPLE Dominik	2	1	ZAHEDI Datis Cy	10 - 0	0:48	IPO
A-27	ZAHEDI Datis Cy	1	2	MAPLE Dominik	5 - 0	3:00	WAZ

Results/Résultats

Pos	Name/Nom
1	ZAHEDI Datis Cy, BC/Champion
2	MAPLE Dominik, BC/Abbotsford

U14 Novice Female -33kg

Competitors/Compétiteurs

#	Name/Nom	Grade	Club	1	2	3	W/G	Pts	Pos
1	KO Sarah	yellow/orange	BC/Peak Judo Club	XX		10	1	10	2
2	PARK Harper	yellow/orange	BC/Peak Judo Club	10	XX	10	2	20	1
3	WALKER Natalya	yellow	BC/Lake Country			XX	0	0	3

Matches/Matches

Match	White/Blanc			Blue/Bleu	Res/Rés	Tim/Tmp	Code
C-10	KO Sarah	1	2	PARK Harper	0 - 10	0:33	IPO
C-22	KO Sarah	1	3	WALKER Natalya	10 - 0	3:00	IPO
C-30	PARK Harper	2	3	WALKER Natalya	10 - 0	0:16	IPO

Results/Résultats

Pos	Name/Nom
1	PARK Harper, BC/Peak Judo Club
2	KO Sarah, BC/Peak Judo Club

U14 Novice Female -40kg

Competitors/Compétiteurs

#	Name/Nom	Grade	Club	1	2	3	W/G	Pts	Pos
1	LUNDMAN Sofia	yellow	BC/Nanaimo	XX	10	10	2	20	1
2	CIRFERA Medea	yellow	BC/Nakashima		XX		0	0	3
3	KHAZHEVSKAIA Evelina	yellow/orange	BC/Kizuna Judo Club		10	XX	1	10	2

Matches/Matches

Match	White/Blanc			Blue/Bleu	Res/Rés	Tim/Tmp	Code
B-10	LUNDMAN Sofia	1	2	CIRFERA Medea	10 - 0	1:02	IPO
B-22	LUNDMAN Sofia	1	3	KHAZHEVSKAIA Evelina	10 - 0	1:41	IPO
B-30	CIRFERA Medea	2	3	KHAZHEVSKAIA Evelina	0 - 10	0:30	WIP

Results/Résultats

Pos	Name/Nom
1	LUNDMAN Sofia, BC/Nanaimo
2	KHAZHEVSKAIA Evelina, BC/Kizuna Judo Club

U14 Novice Female -44kg

Competitors/Compétiteurs

#	Name/Nom	Grade	Club	1	2	1	2	1	2	W/G	Pts	Pos
1	CONNOLLY Ellyse	yellow/orange	BC/Westsyde	XX		XX		XX		0	0	2
2	XU Grace	yellow	BC/Peak Judo Club	10	XX	10	XX		XX	2	20	1

Matches/Matches

Match	White/Blanc			Blue/Bleu	Res/Rés	Tim/Tmp	Code
D-8	CONNOLLY Ellyse	1	2	XU Grace	0 - 10	0:26	IPO
D-19	XU Grace	2	1	CONNOLLY Ellyse	10 - 0	1:02	WIP
D-28	CONNOLLY Ellyse	1	2	XU Grace			

Results/Résultats

Pos	Name/Nom
1	XU Grace, BC/Peak Judo Club

U14 Novice Female -52kg

Competitors/Compétiteurs

#	Name/Nom	Grade	Club	1	2	1	2	1	2	W/G	Pts	Pos
1	ZHUANG Melanie	yellow	BC/White Rock	XX		XX		XX		0	0	2
2	KHOSA Harsaya	yellow	BC/Abbotsford	10	XX	10	XX		XX	2	20	1

Matches/Matches

Match	White/Blanc			Blue/Bleu	Res/Rés	Tim/Tmp	Code
C-16	ZHUANG Melanie	1	2	KHOSA Harsaya	0 - 10	0:12	IPO
C-24	KHOSA Harsaya	2	1	ZHUANG Melanie	10 - 0	1:21	IPO
C-32	ZHUANG Melanie	1	2	KHOSA Harsaya			

Results/Résultats

Pos	Name/Nom
1	KHOSA Harsaya, BC/Abbotsford

U14 Novice Male -35kg

Competitors/Compétiteurs

#	Name/Nom	Grade	Club	1	2	3	W/G	Pts	Pos
1	KOTLIARENKO Mark	yellow/orange	BC/Abbotsford	XX	10	10	2	20	1
2	IKARI Jesse	yellow/orange	BC/Ishikawa Family		XX		0	0	3
3	MIZUYABU Adam	yellow	BC/Vernon		10	XX	1	10	2

Matches/Matches

Match	White/Blanc			Blue/Bleu	Res/Rés	Tim/Tmp	Code
A-7	KOTLIARENKO Mark	1	2	IKARI Jesse	10 - 0	0:45	IPO
A-16	KOTLIARENKO Mark	1	3	MIZUYABU Adam	10 - 0	1:04	IPO
A-25	IKARI Jesse	2	3	MIZUYABU Adam	0 - 10	0:05	IPO

Results/Résultats

Pos	Name/Nom
1	KOTLIARENKO Mark, BC/Abbotsford
2	MIZUYABU Adam, BC/Vernon

U14 Novice Male -38kg

Competitors/Compétiteurs

#	Name/Nom	Grade	Club	1	2	3	W/G	Pts	Pos
1	TENEYCKE Jason	yellow	BC/Kizuna Judo Club	XX		10	1	10	2
2	WHITE Matthew	yellow	BC/Kizuna Judo Club	10	XX	10	2	20	1
3	CHEUNG Lloyd	yellow	USA/Highlands Judo Dojo			XX	0	0	3

Matches/Matches

Match	White/Blanc			Blue/Bleu	Res/Rés	Tim/Tmp	Code
D-5	TENEYCKE Jason	1	2	WHITE Matthew	0 - 10	0:58	IPO
D-18	TENEYCKE Jason	1	3	CHEUNG Lloyd	10 - 0	0:58	IPO
D-27	WHITE Matthew	2	3	CHEUNG Lloyd	10 - 0	0:54	WIP

Results/Résultats

Pos	Name/Nom
1	WHITE Matthew, BC/Kizuna Judo Club
2	TENEYCKE Jason, BC/Kizuna Judo Club

U14 Novice Male -46kg

Competitors/Compétiteurs

#	Name/Nom	Grade	Club	1	2	3	W/G	Pts	Pos
1	GORING Calvin	yellow	BC/Lake Country	XX			0	0	3
2	SHAKIMOV Sean	yellow/orange	BC/Peak Judo Club	10	XX	10	2	20	1
3	PANERIO Wyatt	yellow	BC/Steveston	10		XX	1	10	2

Matches/Matches

Match	White/Blanc			Blue/Bleu	Res/Rés	Tim/Tmp	Code
D-9	GORING Calvin	1	2	SHAKIMOV Sean	0 - 10	1:42	IPO
D-20	GORING Calvin	1	3	PANERIO Wyatt	0 - 10	0:46	IPO
D-29	SHAKIMOV Sean	2	3	PANERIO Wyatt	10 - 0	2:18	WIP

Results/Résultats

Pos	Name/Nom
1	SHAKIMOV Sean, BC/Peak Judo Club
2	PANERIO Wyatt, BC/Steveston

U14 Novice Male -55kg

Competitors/Compétiteurs

#	Name/Nom	Grade	Club	1	2	3	W/G	Pts	Pos
1	WIEBE Gabe	yellow	BC/Abbotsford	XX	10	10	2	20	1
2	LESKIE Jasper	yellow/orange	BC/Kelowna		XX	10	1	10	2
3	MAZA Ociel	yellow/orange	BC/White Rock			XX	0	0	3

Matches/Matches

Match	White/Blanc			Blue/Bleu	Res/Rés	Tim/Tmp	Code
D-10	WIEBE Gabe	1	2	LESKIE Jasper	10 - 0	1:27	IPO
D-21	WIEBE Gabe	1	3	MAZA Ociel	10 - 0	0:39	IPO
D-30	LESKIE Jasper	2	3	MAZA Ociel	10 - 0	0:52	WIP

Results/Résultats

Pos	Name/Nom
1	WIEBE Gabe, BC/Abbotsford
2	LESKIE Jasper, BC/Kelowna

U14 Novice Male -60kg

Competitors/Compétiteurs

#	Name/Nom	Grade	Club	1	2	3	W/G	Pts	Pos
1	EWING Josiah	yellow/orange	BC/Kizuna Judo Club	XX	10	10	2	20	1
2	DUECK James	yellow	BC/Kizuna Judo Club		XX		0	0	3
3	SUNGUR Osman	yellow/orange	BC/Ishikawa Family		10	XX	1	10	2

Matches/Matches

Match	White/Blanc			Blue/Bleu	Res/Rés	Tim/Tmp	Code
B-5	EWING Josiah	1	2	DUECK James	10 - 0	1:54	IPO
B-21	EWING Josiah	1	3	SUNGUR Osman	10 - 0	0:33	WIP
B-29	DUECK James	2	3	SUNGUR Osman	0 - 10	1:21	IPO

Results/Résultats

Pos	Name/Nom
1	EWING Josiah, BC/Kizuna Judo Club
2	SUNGUR Osman, BC/Ishikawa Family

U14 Novice Male +66kg

Competitors/Compétiteurs

#	Name/Nom	Grade	Club	1	2	1	2	1	2	W/G	Pts	Pos
1	APPELDOORN Jaxon	yellow/orange	BC/Lake Country	XX	10	XX	10	XX		2	20	1
2	DYCK Matthew	yellow	BC/Kizuna Judo Club		XX		XX		XX	0	0	2

Matches/Matches

Match	White/Blanc			Blue/Bleu	Res/Rés	Tim/Tmp	Code
B-16	APPELDOORN Jaxon	1	2	DYCK Matthew	10 - 0	1:19	WIP
B-24	DYCK Matthew	2	1	APPELDOORN Jaxon	0 - 10	0:34	WIP
B-32	APPELDOORN Jaxon	1	2	DYCK Matthew			

Results/Résultats

Pos	Name/Nom
1	APPELDOORN Jaxon, BC/Lake Country

Veteran Male -73kg

Competitors/Compétiteurs

#	Name/Nom	Grade	Club	1	2	3	4	W/G	Pts	Pos
1	ARAGON Eduardo	brown	BC/Lake Country	XX				0	0	4
2	MEIRELLES Claudio	brown	BC/Kensington	10	XX			1	10	3
3	EBY Nathan	nidan	BC/Nanaimo	10	10	XX		2	20	2
4	HERNANDEZ DEL ANGEL Nassary	brown	BC/Steveston	10	10	10	XX	3	30	1

Matches/Matches

Match	White/Blanc			Blue/Bleu	Res/Rés	Tim/Tmp	Code
D-3	ARAGON Eduardo	1	2	MEIRELLES Claudio	0 - 10	0:26	IPO
D-4	EBY Nathan	3	4	HERNANDEZ DEL ANGEL Nassary	0 - 10	1:27	WIP
D-14	ARAGON Eduardo	1	3	EBY Nathan	0 - 10	0:57	WIP
D-15	MEIRELLES Claudio	2	4	HERNANDEZ DEL ANGEL Nassary	0 - 10	1:48	WIP
D-23	ARAGON Eduardo	1	4	HERNANDEZ DEL ANGEL Nassary	0 - 10	1:01	IPO
D-24	MEIRELLES Claudio	2	3	EBY Nathan	0 - 10	2:31	IPO

Results/Résultats

Pos	Name/Nom
1	HERNANDEZ DEL ANGEL Nassary, BC/Steveston
2	EBY Nathan, BC/Nanaimo
3	MEIRELLES Claudio, BC/Kensington

Veteran Male -81kg

Competitors/Compétiteurs

#	Name/Nom	Grade	Club	1	2	3	4	5	W/G	Pts	Pos
1	SMILEY Christopher	sandan	BC/Lake Country	XX	10	10	10	10	4	40	1
2	BRIGGS Bernard	blue	YT/Shiroumakai		XX	10			1	10	4
3	PRATT Kevin	sandan	USA/Wayne Owens Fighting			XX			0	0	5
4	SOROKIN Oleg	brown	BC/Westminster		10	10	XX		2	20	3
5	PARK John	brown	BC/Westminster		10	10	10	XX	3	30	2

Matches/Matches

Match	White/Blanc			Blue/Bleu	Res/Rés	Tim/Tmp	Code
C-1	SOROKIN Oleg	4	5	PARK John	0 - 10	0:00	FUS
C-2	SMILEY Christopher	1	2	BRIGGS Bernard	10 - 0	0:17	IPO
C-6	PRATT Kevin	3	4	SOROKIN Oleg	0 - 10	1:54	IPO
C-7	SMILEY Christopher	1	5	PARK John	10 - 0	0:17	IPO
C-11	BRIGGS Bernard	2	3	PRATT Kevin	10 - 0	1:50	WIP
C-12	SMILEY Christopher	1	4	SOROKIN Oleg	10 - 0	0:56	IPO
C-17	PRATT Kevin	3	5	PARK John	0 - 10	1:27	IPO
C-18	BRIGGS Bernard	2	4	SOROKIN Oleg	0 - 10	2:39	IPO
C-25	SMILEY Christopher	1	3	PRATT Kevin	10 - 0	0:29	IPO
C-26	BRIGGS Bernard	2	5	PARK John	0 - 10	1:36	IPO

Results/Résultats

Pos	Name/Nom
1	SMILEY Christopher, BC/Lake Country
2	PARK John, BC/Westminster
3	SOROKIN Oleg, BC/Westminster
4	BRIGGS Bernard, YT/Shiroumakai

Veteran Male -90kg

Competitors/Compétiteurs

#	Name/Nom	Grade	Club	1	2	1	2	1	2	W/G	Pts	Pos
1	WHITE Justin	brown	AB/Airdrie	XX	10	XX	10	XX		2	20	1
2	NICKMANESH Reza	nidan	BC/Kensington		XX		XX		XX	0	0	2

Matches/Matches

Match	White/Blanc			Blue/Bleu	Res/Rés	Tim/Tmp	Code
C-15	WHITE Justin	1	2	NICKMANESH Reza	10 - 0	0:00	FUS
C-23	NICKMANESH Reza	2	1	WHITE Justin	0 - 10	0:00	FUS
C-31	WHITE Justin	1	2	NICKMANESH Reza			

Results/Résultats

Pos	Name/Nom
1	WHITE Justin, AB/Airdrie

Veteran Male +100kg

Competitors/Compétiteurs

#	Name/Nom	Grade	Club	1	2	1	2	1	2	W/G	Pts	Pos
1	VAUDAN Andre	brown	BC/Kizuna Judo Club	XX		XX		XX		0	0	2
2	CRYER Chris	shodan	BC/Abbotsford	10	XX	10	XX		XX	2	20	1

Matches/Matches

Match	White/Blanc			Blue/Bleu	Res/Rés	Tim/Tmp	Code
A-6	VAUDAN Andre	1	2	CRYER Chris	0 - 10	0:51	WIP
A-15	CRYER Chris	2	1	VAUDAN Andre	10 - 0	0:54	IPO
A-24	VAUDAN Andre	1	2	CRYER Chris			

Results/Résultats

Pos	Name/Nom
1	CRYER Chris, BC/Abbotsford

U18 Female -48kg

Competitors/Compétiteurs A

#	Name/Nom	Grade	Club	1	2	3	W/G	Pts	Pos
1	BONSI Natalie	blue	USA/Budokan Judo Dojo -	XX	5		1	5	3
2	KO Jenna	brown	BC/Peak Judo Club		XX	10	1	10	1
3	GROOTEN Maegan	green	BC/Hart	5		XX	1	5	2

Pool A

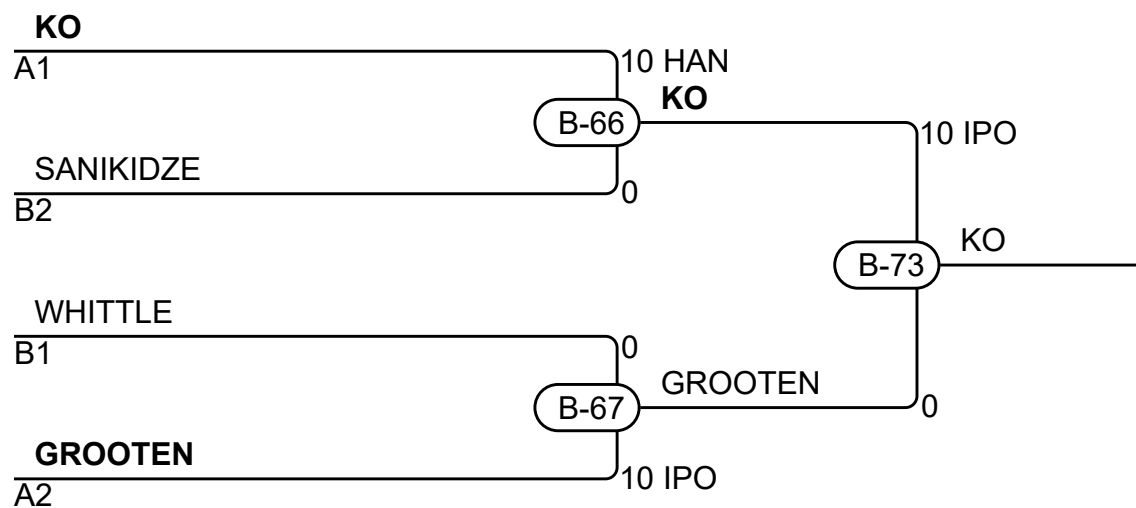
Match	White/Blanc	Blue/Bleu	Res/Rés	Tim/Tmp	Code
B-32	BONSI Natalie	1 2 KO Jenna	5 - 0	5:30	GSW
B-47	BONSI Natalie	1 3 GROOTEN Maegan	0 - 5	4:00	WAZ
B-58	KO Jenna	2 3 GROOTEN Maegan	10 - 0	3:43	WIP

Competitors/Compétiteurs B

#	Name/Nom	Grade	Club	4	5	6	W/G	Pts	Pos
4	WHITTLE Gwen	blue	BC/Campbell River	XX	10	10	2	20	1
5	VAUDAN Gabrielle	green	BC/Kizuna Judo Club		XX		0	0	3
6	SANIKIDZE Elizabeth	blue	AB/Kodokwai		10	XX	1	10	2

Pool B

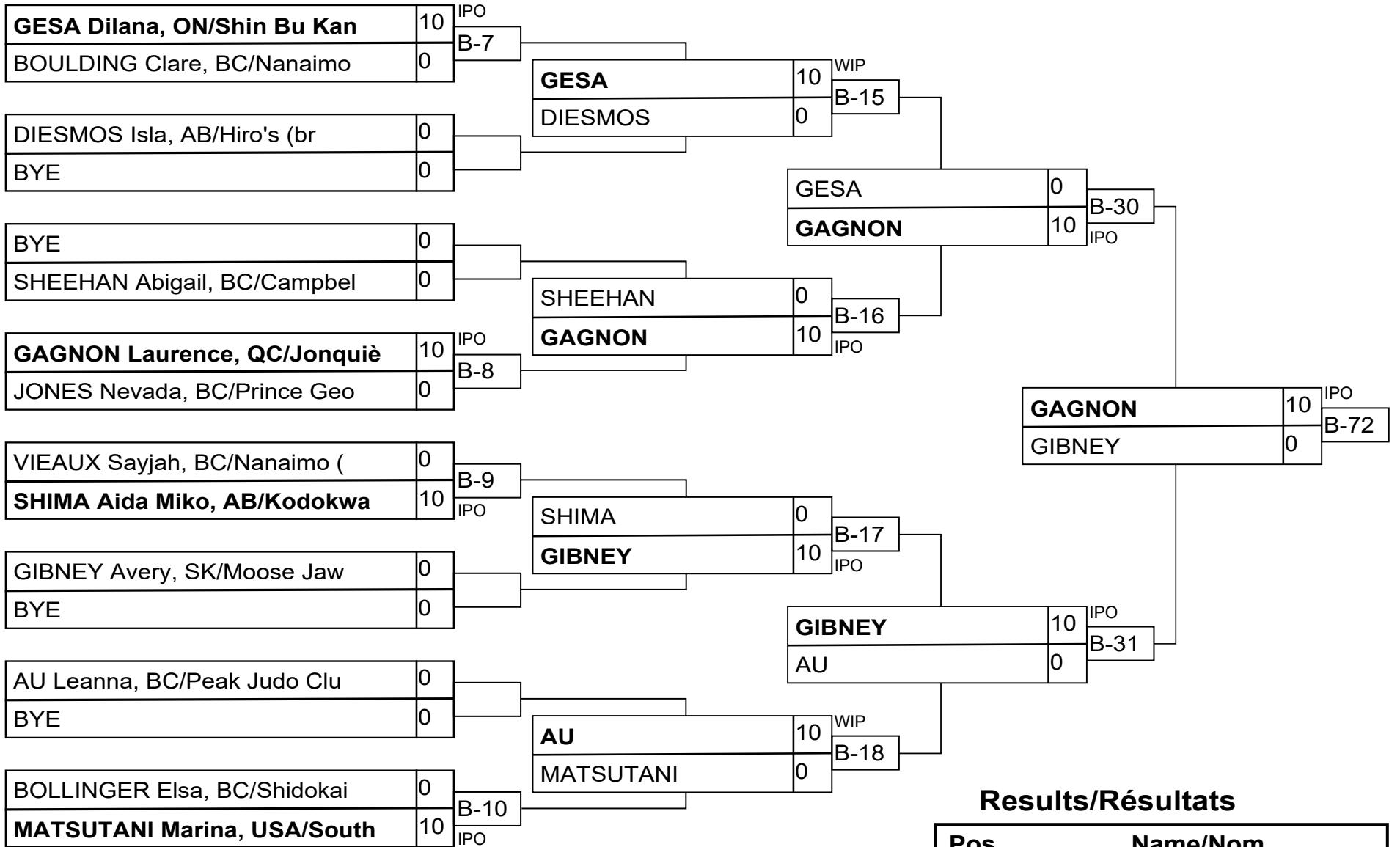
Match	White/Blanc	Blue/Bleu	Res/Rés	Tim/Tmp	Code
B-33	WHITTLE Gwen	4 5 VAUDAN Gabrielle	10 - 0	0:24	IPO
B-48	WHITTLE Gwen	4 6 SANIKIDZE Elizabeth	10 - 0	0:19	IPO
B-59	VAUDAN Gabrielle	5 6 SANIKIDZE Elizabeth	0 - 10	0:09	IPO



Results/Résultats

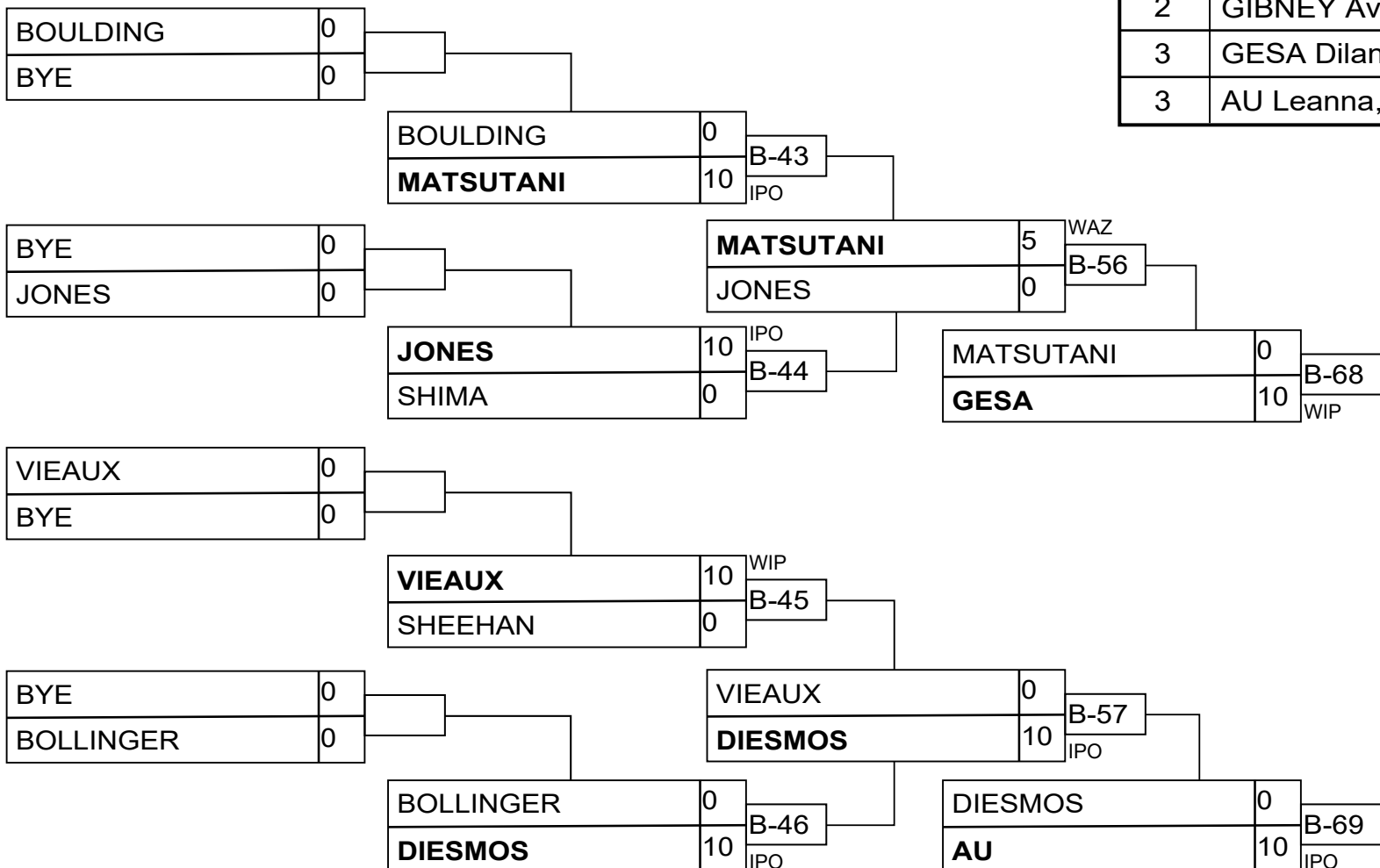
Pos	Name/Nom
1	KO Jenna, BC/Peak Judo Club
2	GROOTEN Maegan, BC/Hart
3	SANIKIDZE Elizabeth, AB/Kodokwai
3	WHITTLE Gwen, BC/Campbell River

U18 Female -52kg

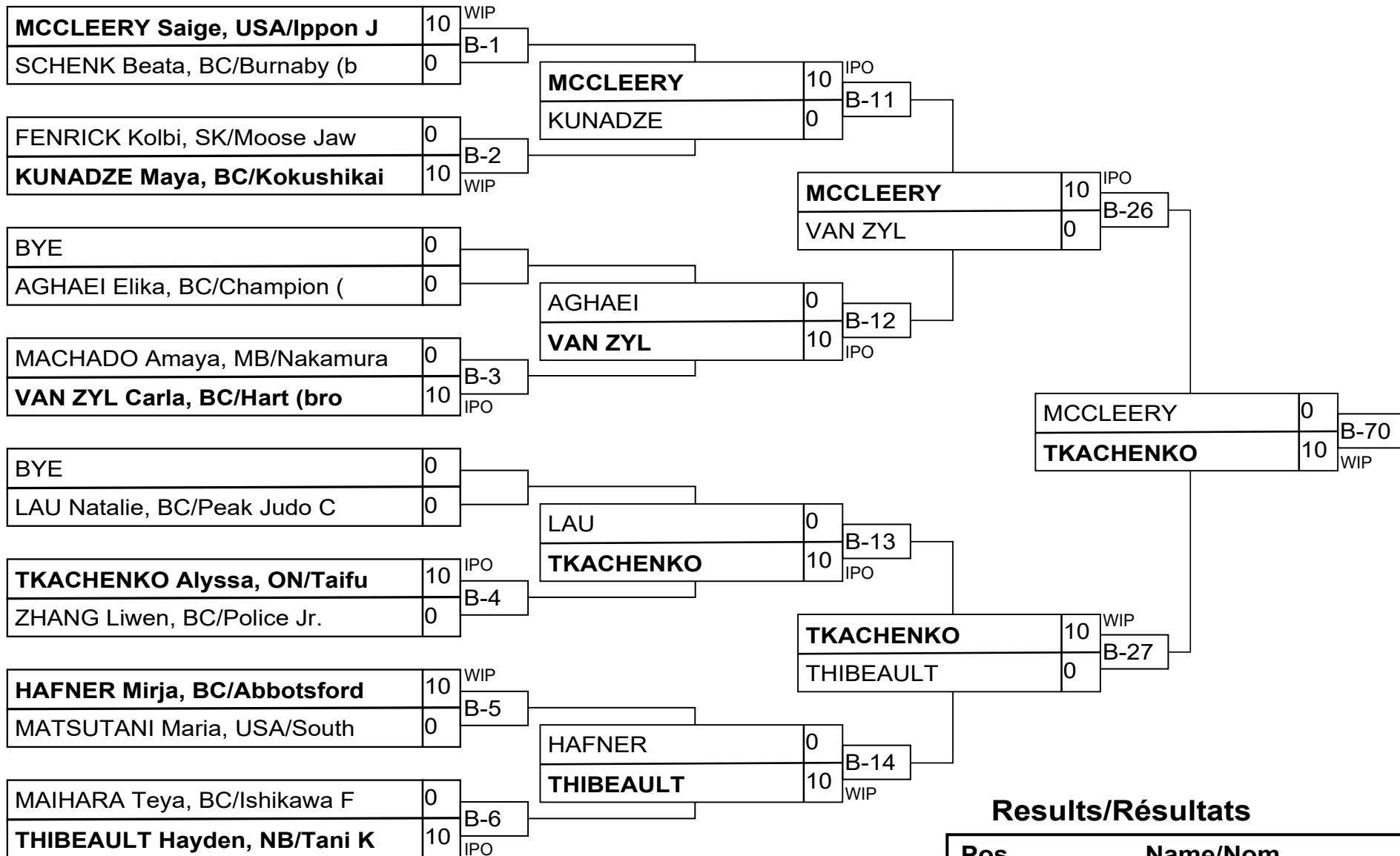


Results/Résultats

Pos	Name/Nom
1	GAGNON Laurence, QC/Jonq
2	GIBNEY Avery, SK/Moose J
3	GESA Dilana, ON/Shin Bu
3	AU Leanna, BC/Peak Judo

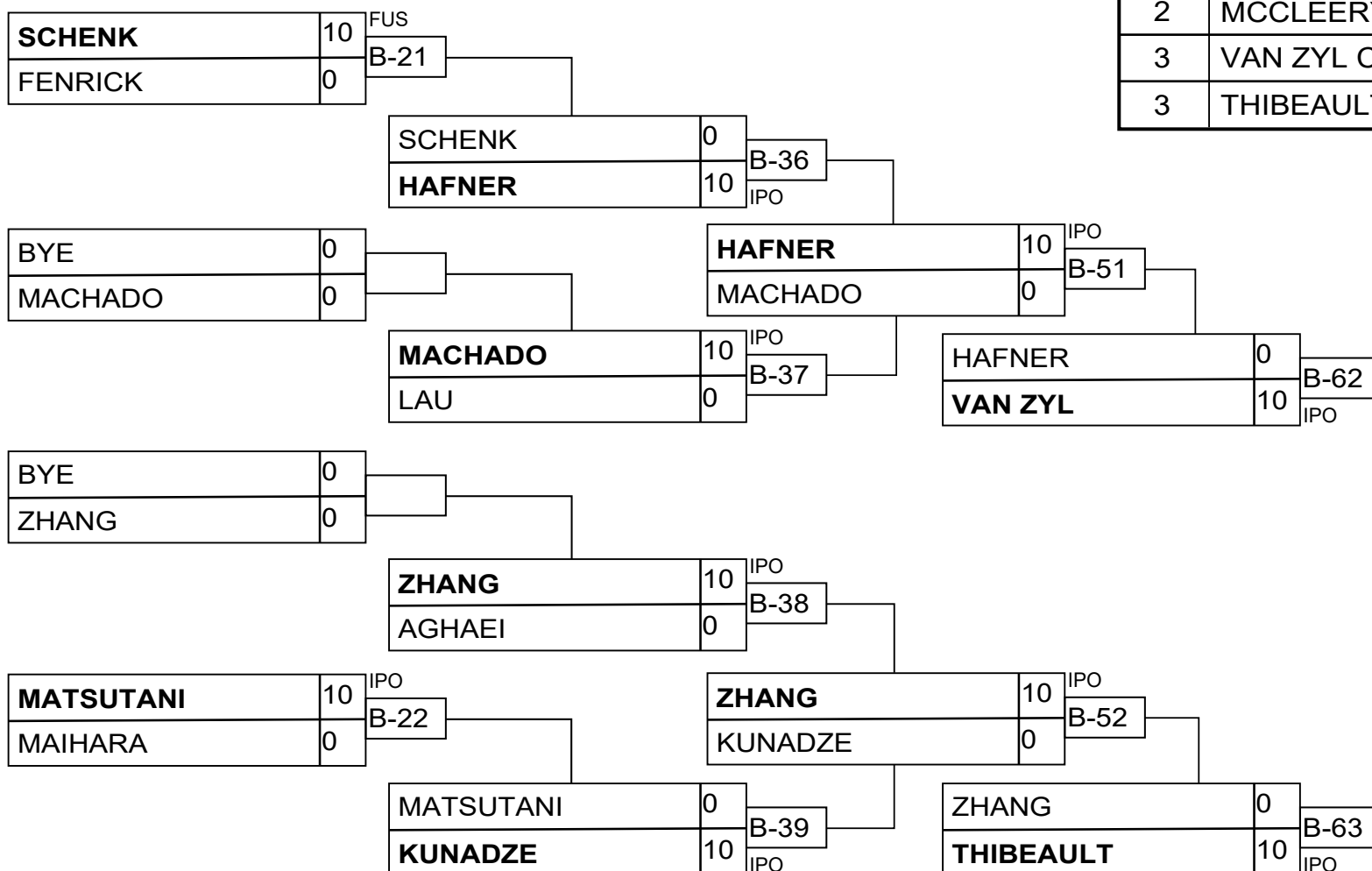


U18 Female -57kg

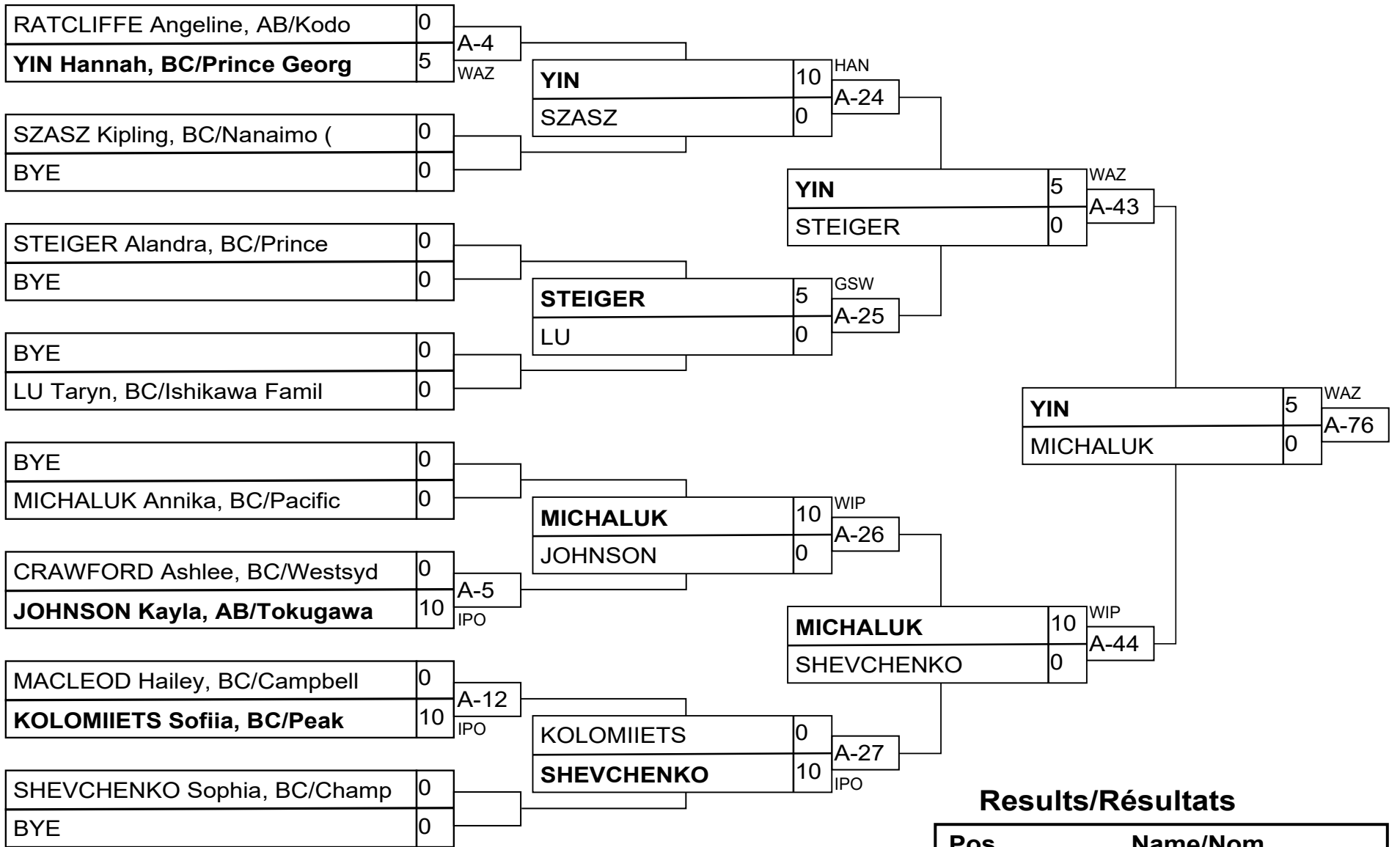


Results/Résultats

Pos	Name/Nom
1	TKACHENKO Alyssa, ON/Tai
2	MCCLEERY Saige, USA/Ippo
3	VAN ZYL Carla, BC/Hart (
3	THIBEAULT Hayden, NB/Tan

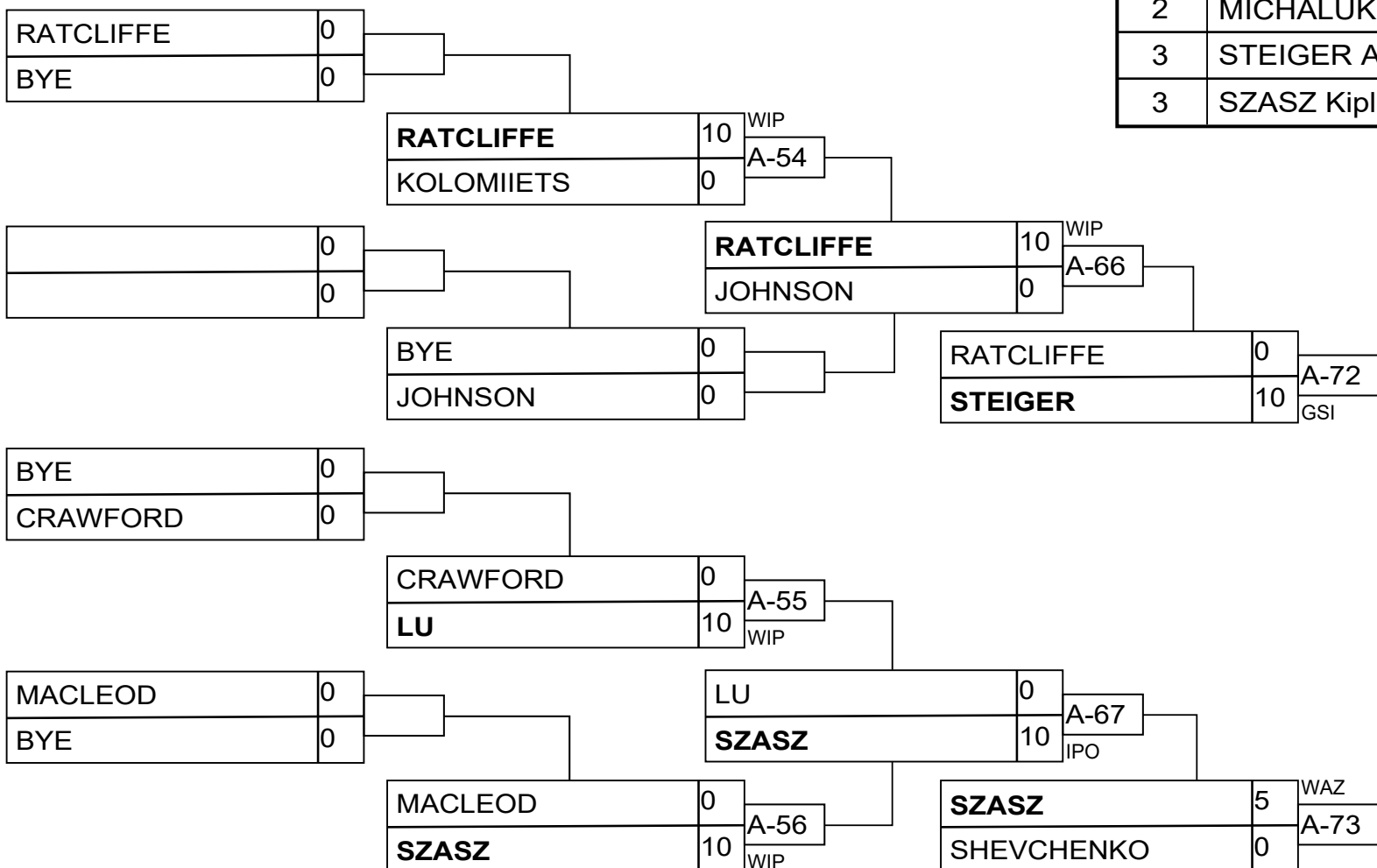


U18 Female -63kg

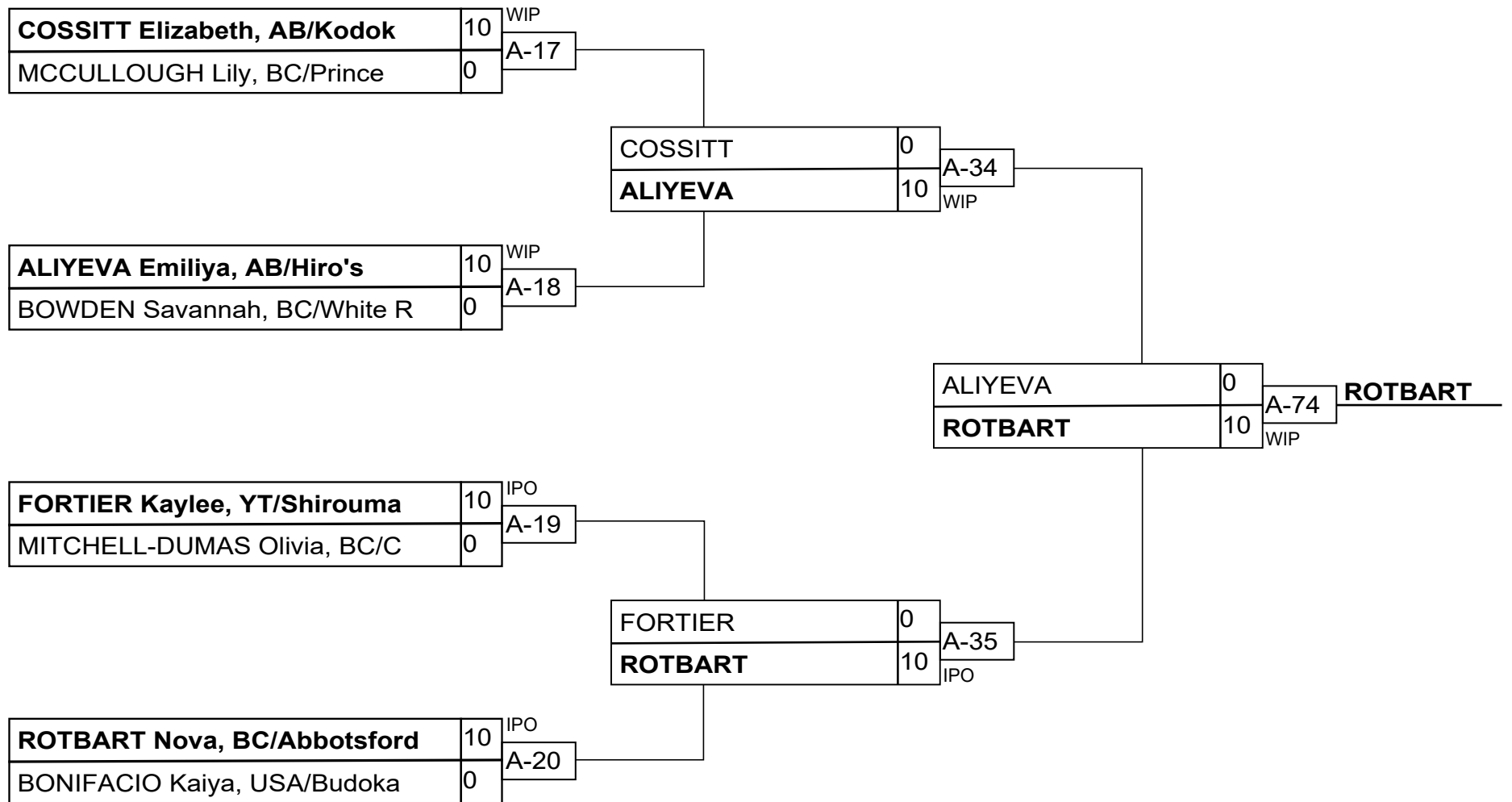


Results/Résultats

Pos	Name/Nom
1	YIN Hannah, BC/Prince Ge
2	MICHALUK Annika, BC/Paci
3	STEIGER Alandra, BC/Prin
3	SZASZ Kipling, BC/Nanaim

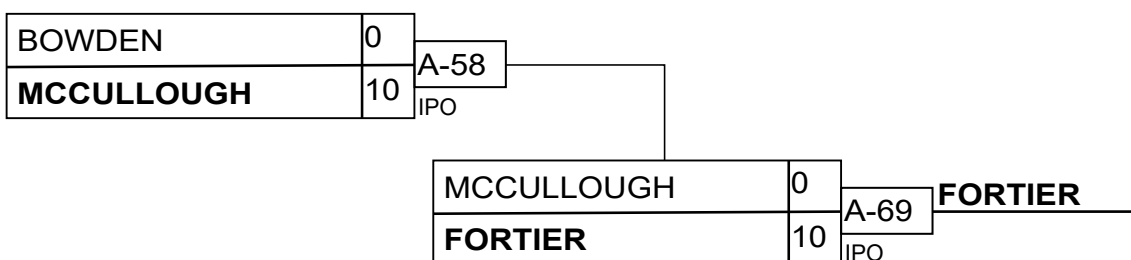
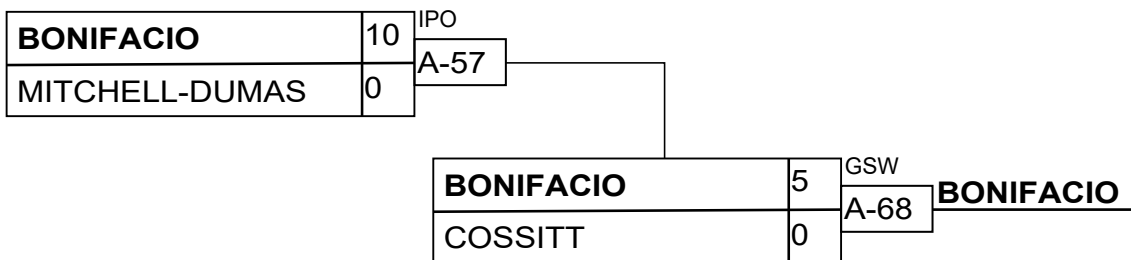


U18 Female -70kg



Results/Résultats

Pos	Name/Nom
1	ROTBART Nova, BC/Abbotsf
2	ALIYEVA Emiliya, AB/Hiro
3	BONIFACIO Kaiya, USA/Bud
3	FORTIER Kaylee, YT/Shiro



U18 Female +70kg

Competitors/Compétiteurs

#	Name/Nom	Grade	Club	1	2	3	W/G	Pts	Pos
1	FOWLER Naomi	brown	NB/Tani Koi	XX			0	0	3
2	LAVIGNE Frederique	brown	QC/Métropolitain	10	XX	10	2	20	1
3	KARAS Marianna	brown	AB/Kodokwai	10		XX	1	10	2

Matches/Matches

Match	White/Blanc			Blue/Bleu	Res/Rés	Tim/Tmp	Code
C-39	FOWLER Naomi	1	2	LAVIGNE Frederique	0 - 10	0:40	IPO
C-52	FOWLER Naomi	1	3	KARAS Marianna	0 - 10	2:44	WIP
C-63	LAVIGNE Frederique	2	3	KARAS Marianna	10 - 0	1:01	IPO

Results/Résultats

Pos	Name/Nom
1	LAVIGNE Frederique, QC/Métropolitain
2	KARAS Marianna, AB/Kodokwai

U18 Male -50kg

Competitors/Compétiteurs

#	Name/Nom	Grade	Club	1	2	3	4	5	W/G	Pts	Pos
1	JOHNSON Kohen	green	AB/Tokugawa	XX		10	10	10	3	30	2
2	TEMIRBAEV Amir	blue	BC/Peak Judo Club	10	XX	10	10	10	4	40	1
3	CICATI Gherman	green	AB/Ishi Yama			XX		10	1	10	4
4	KO Logan	green/blue	BC/Peak Judo Club			10	XX	10	2	20	3
5	MALIMBAN Eael	green	BC/White Rock					XX	0	0	5

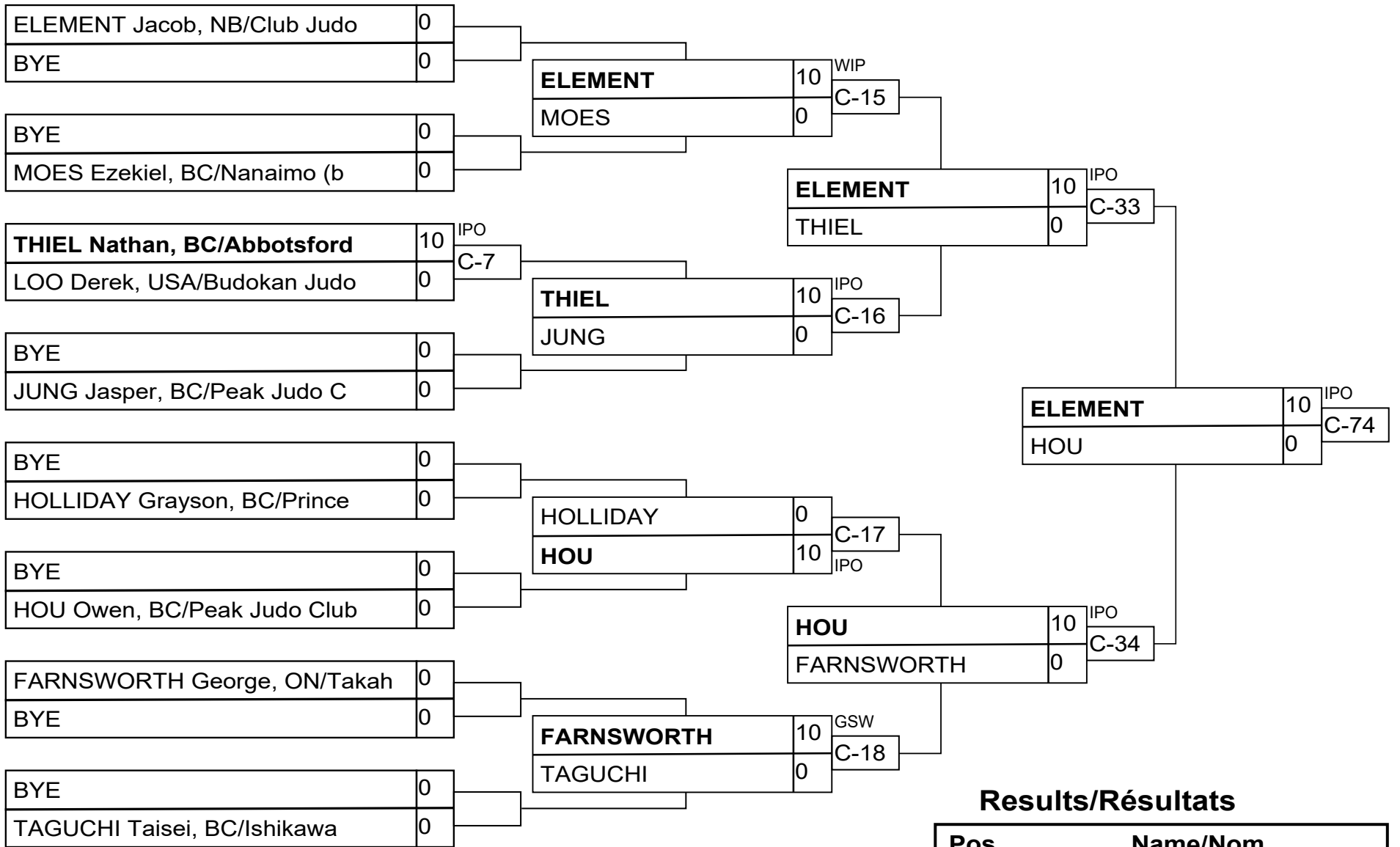
Matches/Matches

Match	White/Blanc			Blue/Bleu	Res/Rés	Tim/Tmp	Code
C-23	KO Logan	4	5	MALIMBAN Eael	10 - 0	0:13	IPO
C-24	JOHNSON Kohen	1	2	TEMIRBAEV Amir	0 - 10	0:43	IPO
C-29	CICATI Gherman	3	4	KO Logan	0 - 10	0:18	IPO
C-30	JOHNSON Kohen	1	5	MALIMBAN Eael	10 - 0	1:40	WIP
C-37	TEMIRBAEV Amir	2	3	CICATI Gherman	10 - 0	0:15	IPO
C-38	JOHNSON Kohen	1	4	KO Logan	10 - 0	3:28	WIP
C-50	CICATI Gherman	3	5	MALIMBAN Eael	10 - 0	0:00	KIK
C-51	TEMIRBAEV Amir	2	4	KO Logan	10 - 0	0:13	IPO
C-61	JOHNSON Kohen	1	3	CICATI Gherman	10 - 0	1:40	IPO
C-62	TEMIRBAEV Amir	2	5	MALIMBAN Eael	10 - 0	0:00	KIK

Results/Résultats

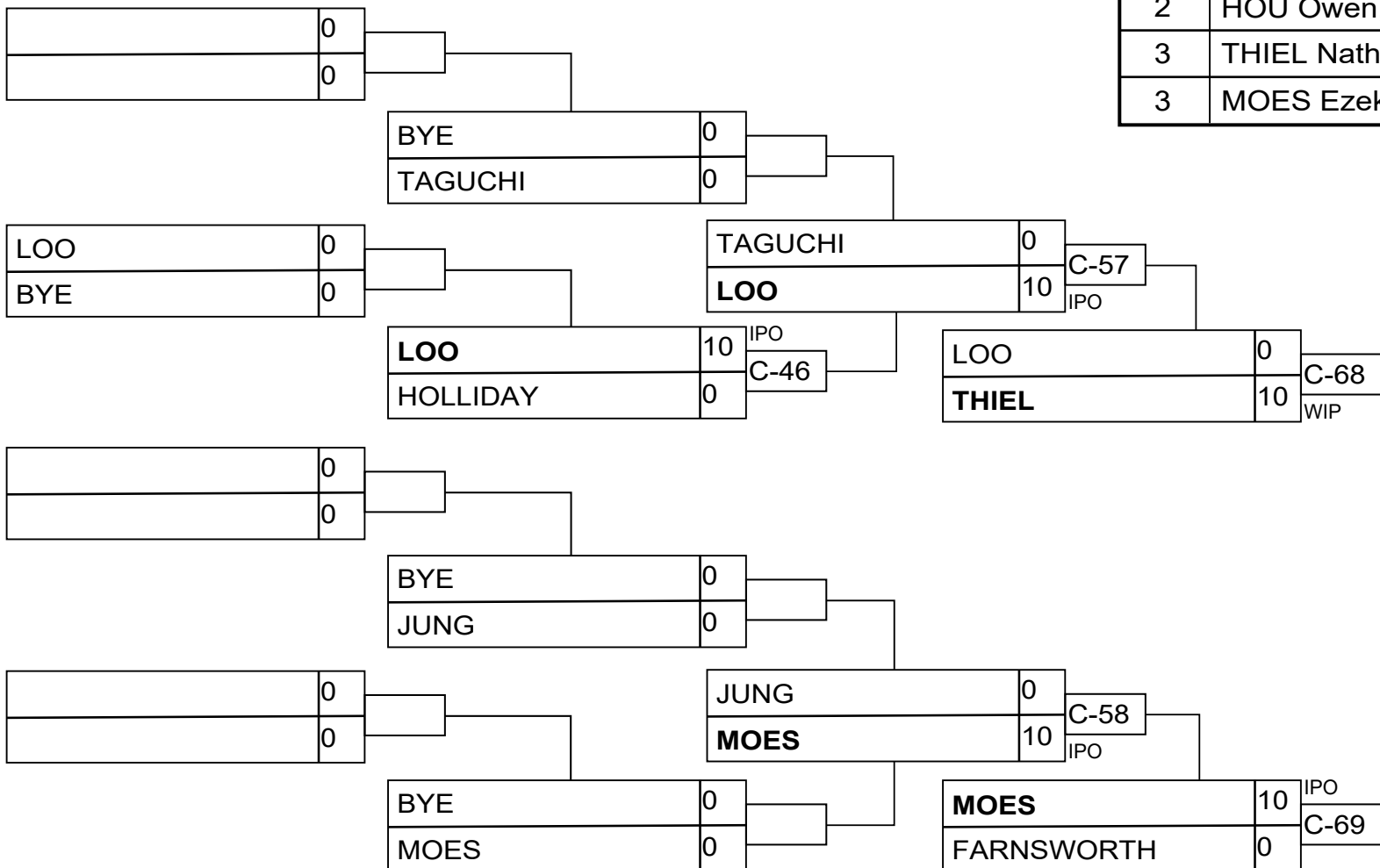
Pos	Name/Nom
1	TEMIRBAEV Amir, BC/Peak Judo Club
2	JOHNSON Kohen, AB/Tokugawa
3	KO Logan, BC/Peak Judo Club
4	CICATI Gherman, AB/Ishi Yama

U18 Male -55kg

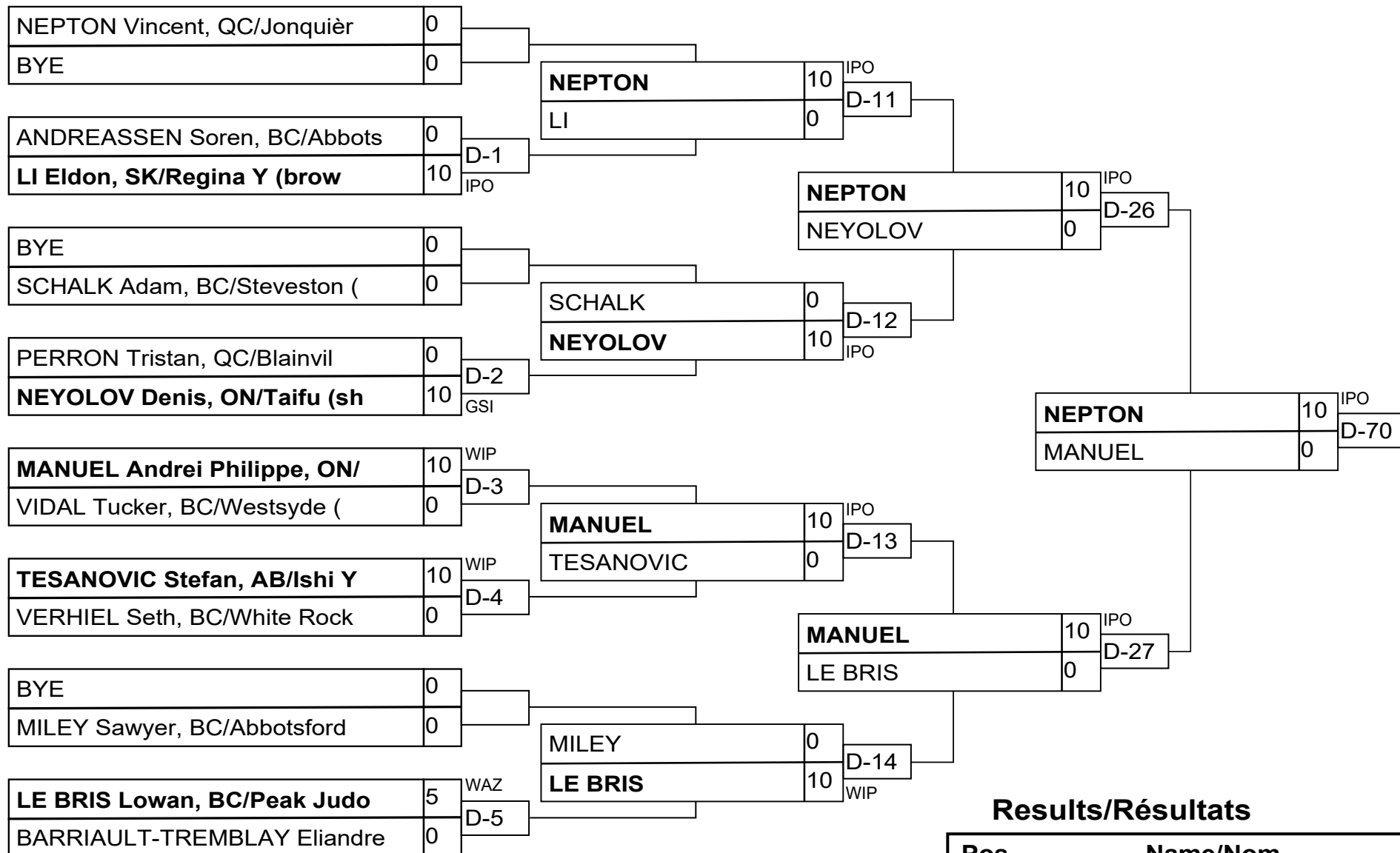


Results/Résultats

Pos	Name/Nom
1	ELEMENT Jacob, NB/Club J
2	HOU Owen, BC/Peak Judo C
3	THIEL Nathan, BC/Abbotsf
3	MOES Ezekiel, BC/Nanaimo

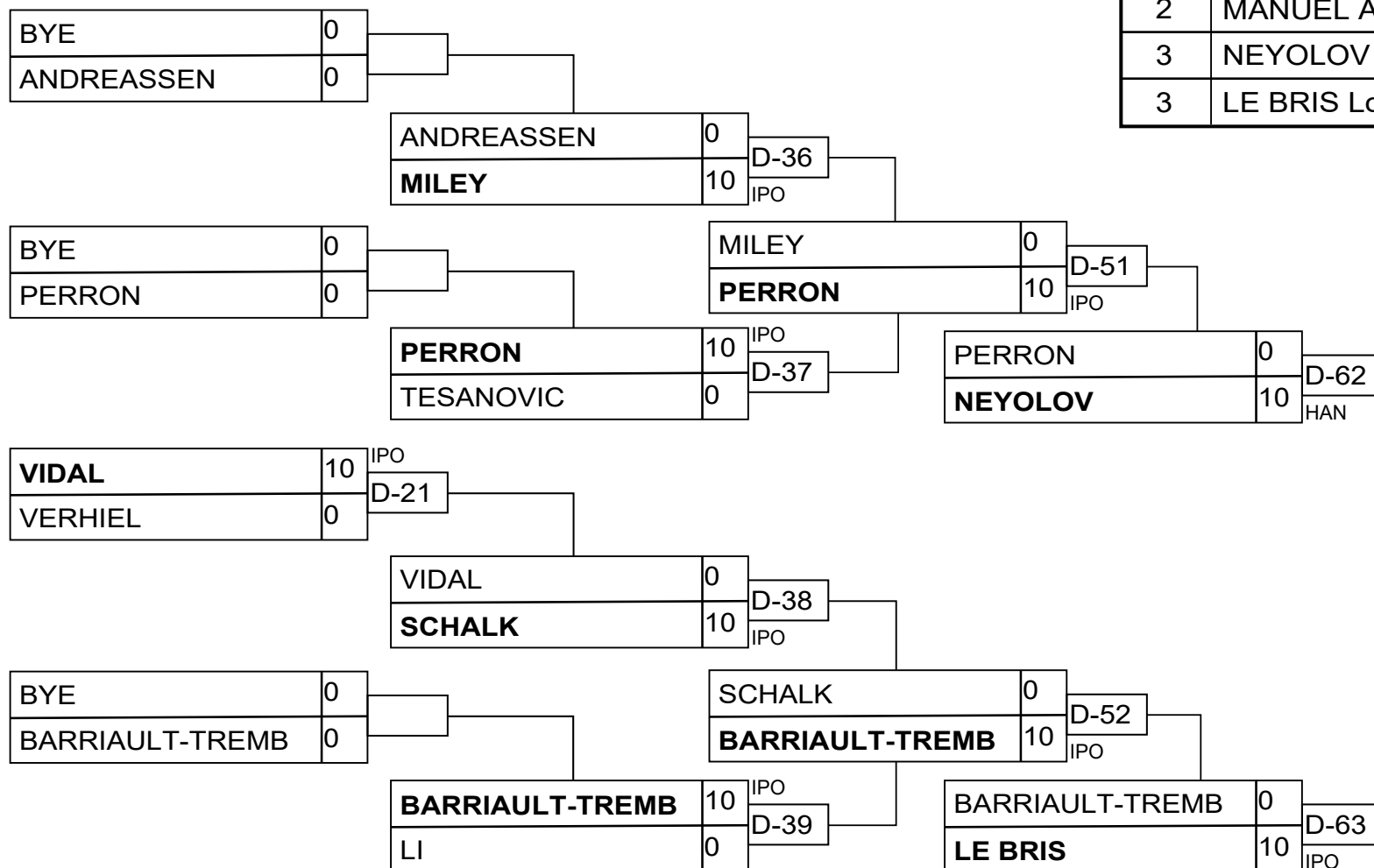


U18 Male -60kg

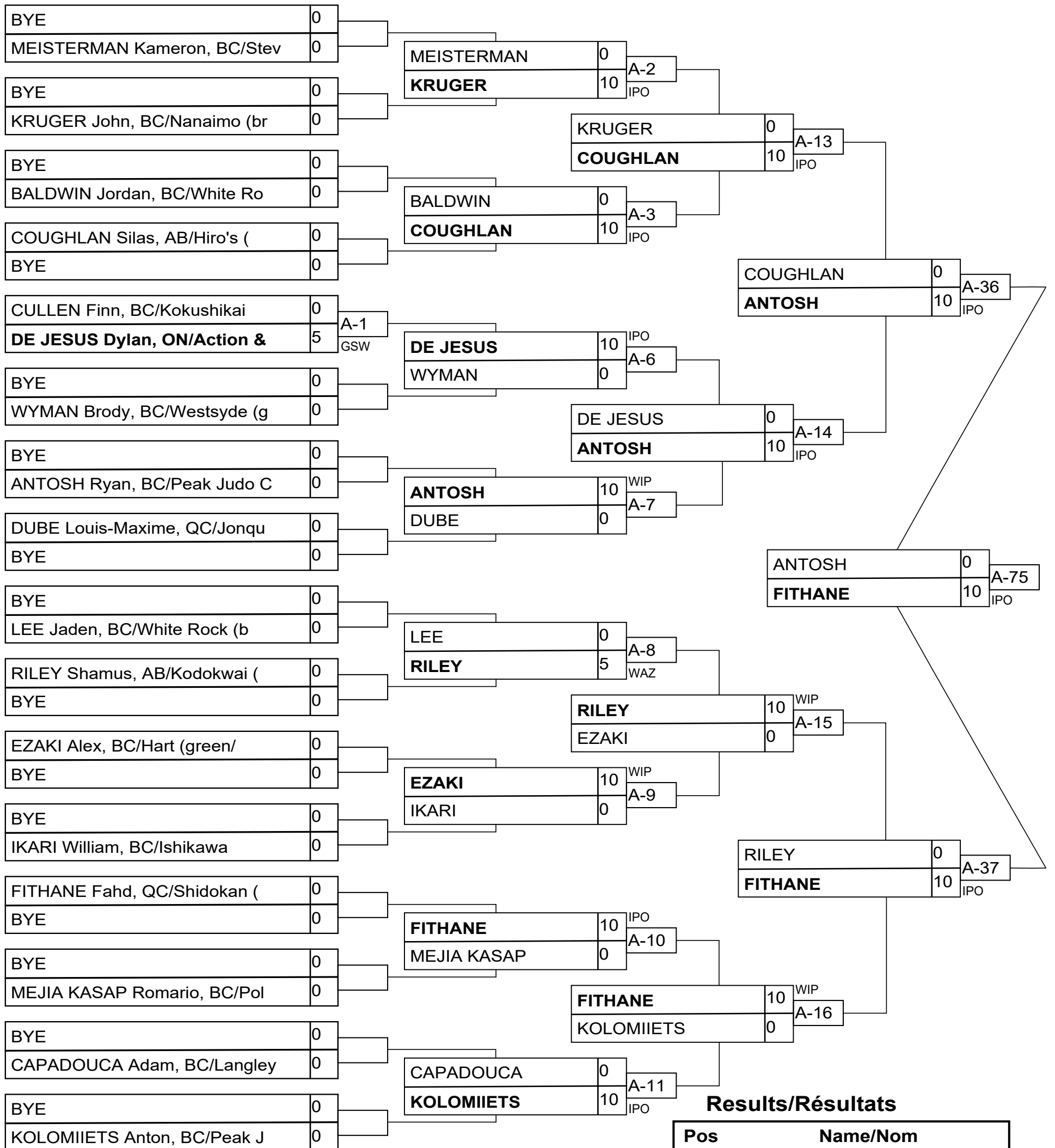


Results/Résultats

Pos	Name/Nom
1	NEPTON Vincent, QC/Jonqu
2	MANUEL Andrei Philippe,
3	NEYOLOV Denis, ON/Taifu
3	LE BRIS Lowan, BC/Peak J



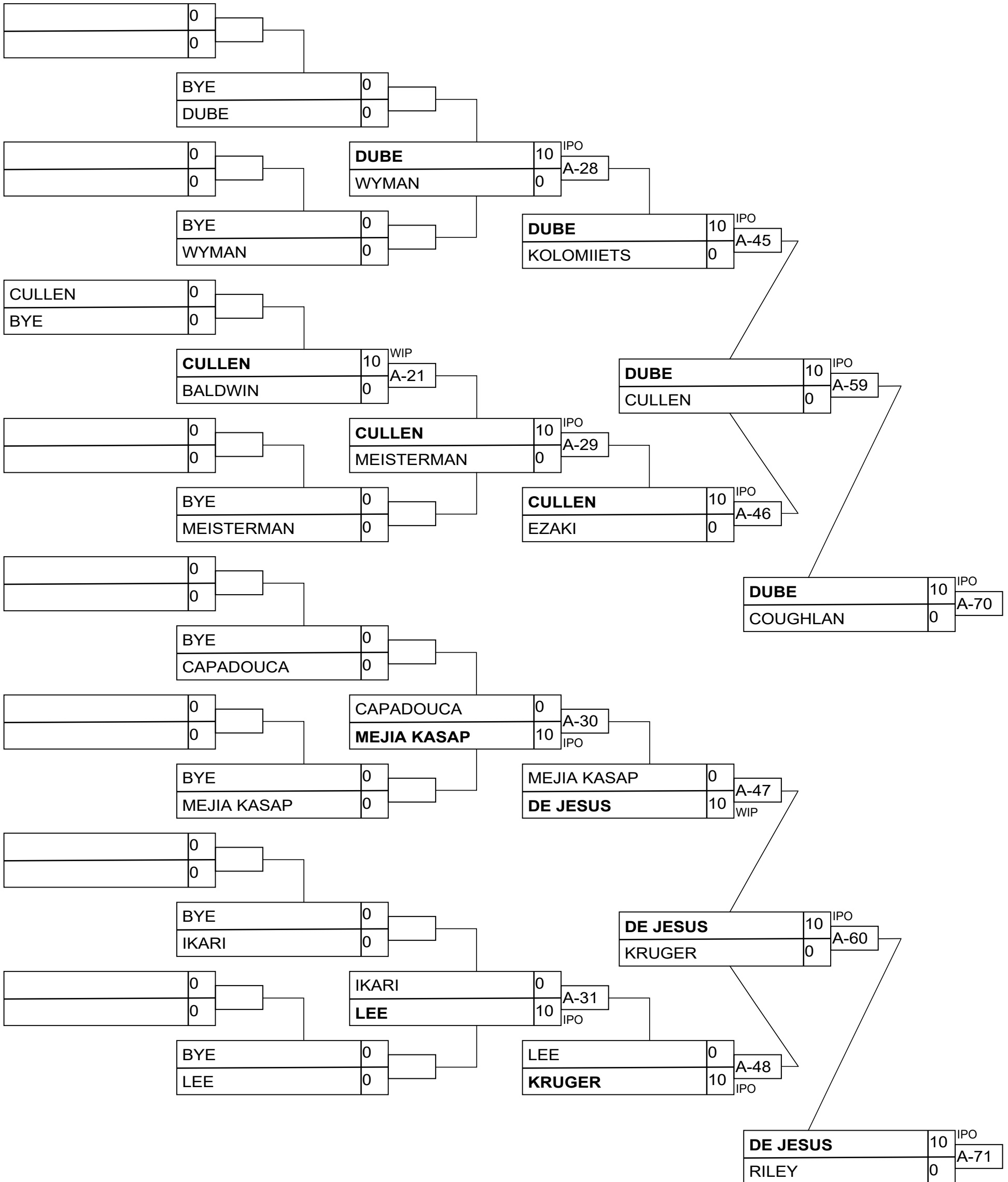
U18 Male -66kg



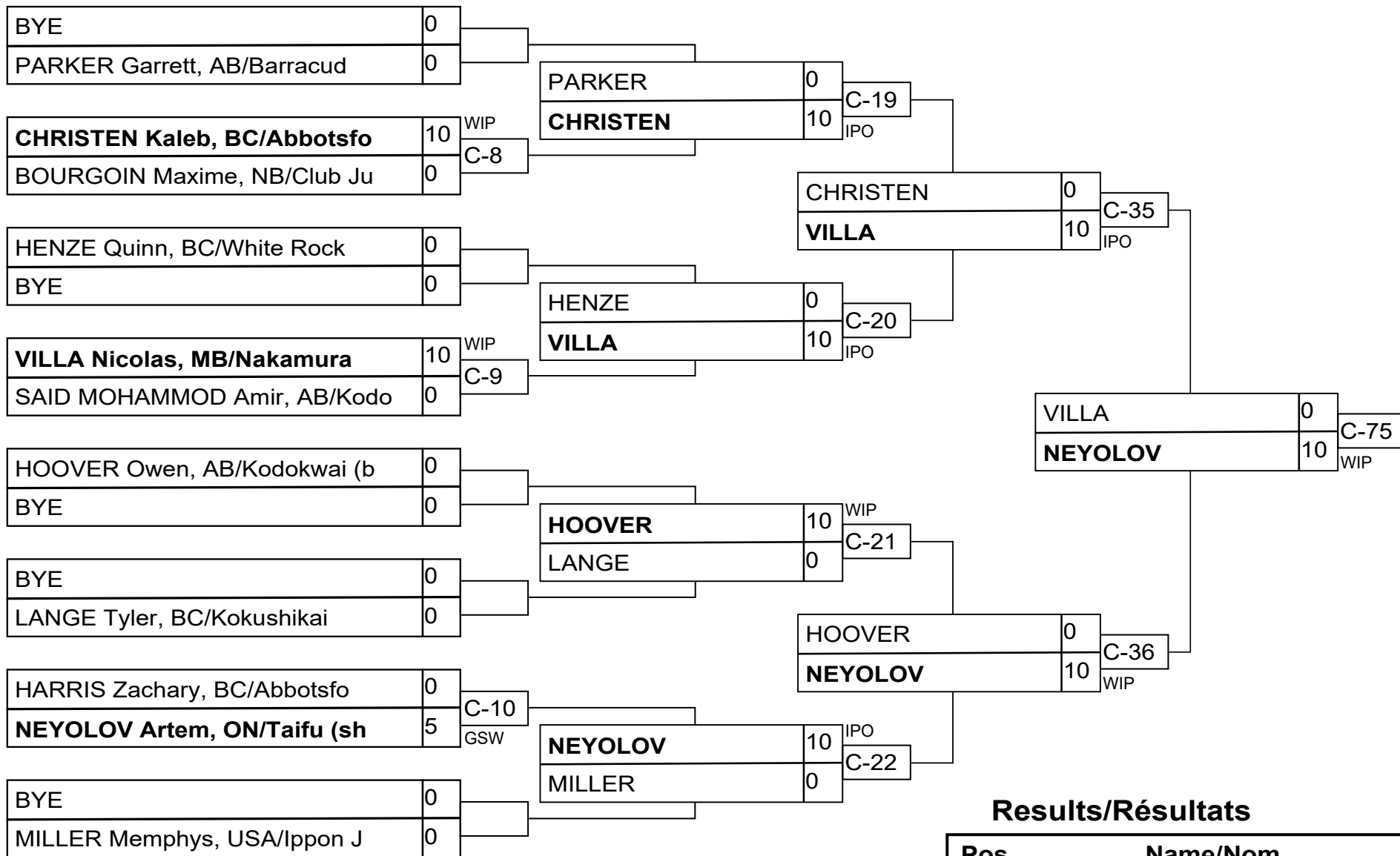
Results/Résultats

Pos	Name/Nom
1	FITHANE Fahd, QC/Shidoka
2	ANTOSH Ryan, BC/Peak Jud
3	DUBE Louis-Maxime, QC/Jo
3	DE JESUS Dylan, ON/Actio

U18 Male -66kg



U18 Male -73kg



Results/Résultats

Pos	Name/Nom
1	NEYOLOV Artem, ON/Taifu
2	VILLA Nicolas, MB/Nakamu
3	CHRISTEN Kaleb, BC/Abbot
3	HARRIS Zachary, BC/Abbot

BYE	0
BOURGOIN	0

BOURGOIN	10	IPO
MILLER	0	C-47

BYE	0
SAID MOHAMMOD	0

BOURGOIN	0	C-59
LANGE	5	GSW

SAID MOHAMMOD	0	C-48
LANGE	10	IPO

LANGE	0	C-70
CHRISTEN	10	IPO

	0
	0

BYE	0
HENZE	0

HARRIS	0
BYE	0

HENZE	0	C-60
HARRIS	10	IPO

HARRIS	10	IPO
PARKER	0	C-49

HARRIS	10	WIP
HOOVER	0	C-71

U18 Male -81kg

Competitors/Compétiteurs A

#	Name/Nom	Grade	Club	1	2	3	W/G	Pts	Pos
1	MADILL Max	brown	BC/Hart	XX			0	0	3
2	SAID MOHAMMOD Habib	brown	AB/Kodokwai	10	XX	10	2	20	1
3	HASLETT Nicholas	brown	NB/Shimpokai	10		XX	1	10	2

Pool A

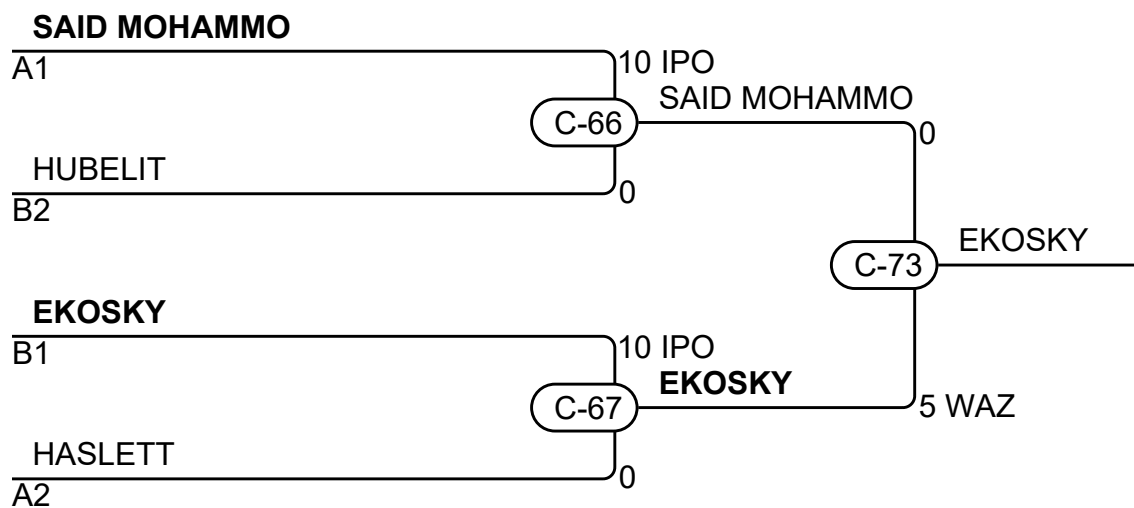
Match	White/Blanc	Blue/Bleu	Res/Rés	Tim/Tmp	Code
C-27	MADILL Max 1 2	SAID MOHAMMOD Habib	0 - 10	1:32	IPO
C-44	MADILL Max 1 3	HASLETT Nicholas	0 - 10	0:09	IPO
C-55	SAID MOHAMMOD Habib 2 3	HASLETT Nicholas	10 - 0	0:15	IPO

Competitors/Compétiteurs B

#	Name/Nom	Grade	Club	4	5	6	W/G	Pts	Pos
4	YUN Matthew	blue	BC/Champion	XX			0	0	3
5	EKOSKY Daniel	brown	MB/Selkirk	10	XX	10	2	20	1
6	HUBELIT Austin	brown	BC/Campbell River	10		XX	1	10	2

Pool B

Match	White/Blanc	Blue/Bleu	Res/Rés	Tim/Tmp	Code
C-28	YUN Matthew 4 5	EKOSKY Daniel	0 - 10	3:37	IPO
C-45	YUN Matthew 4 6	HUBELIT Austin	0 - 10	0:40	IPO
C-56	EKOSKY Daniel 5 6	HUBELIT Austin	10 - 0	2:01	IPO



Results/Résultats

Pos	Name/Nom
1	EKOSKY Daniel, MB/Selkirk
2	SAID MOHAMMOD Habib, AB/Kodokwai
3	HUBELIT Austin, BC/Campbell River
3	HASLETT Nicholas, NB/Shimpokai

U21 Female -48kg

Competitors/Compétiteurs A

#	Name/Nom	Grade	Club	1	2	3	4	W/G	Pts	Pos
1	ESPARBES Kylee	brown	BC/Peak Judo Club	XX			10	1	10	3
2	TURMEL Marie-Lune	shodan	QC/Blainville	10	XX	10	10	3	30	1
3	ORTIZ Monica	shodan	QC/Métropolitain	10		XX	5	2	15	2
4	LOO Jayne	brown	USA/Budokan Judo Dojo -				XX	0	0	4

Pool A

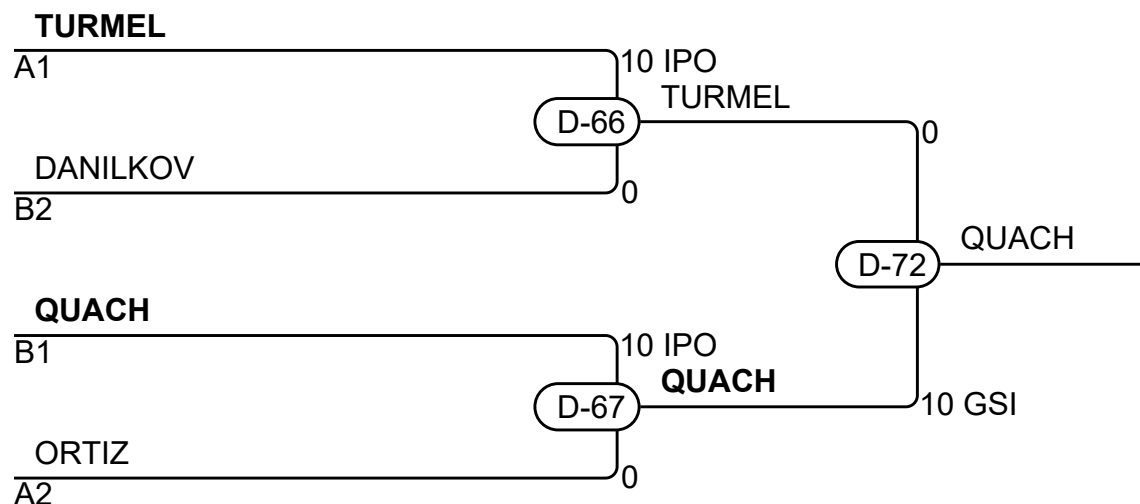
Match	White/Blanc	Blue/Bleu	Res/Rés	Tim/Tmp	Code
D-23	ESPARBES Kylee 1 2	TURMEL Marie-Lune	0 - 10	1:37	IPO
D-30	ORTIZ Monica 3 4	LOO Jayne	5 - 0	4:00	WAZ
D-44	ESPARBES Kylee 1 3	ORTIZ Monica	0 - 10	6:36	HAN
D-45	TURMEL Marie-Lune 2 4	LOO Jayne	10 - 0	0:35	WIP
D-55	ESPARBES Kylee 1 4	LOO Jayne	10 - 0	5:45	GSI
D-56	TURMEL Marie-Lune 2 3	ORTIZ Monica	10 - 0	0:41	IPO

Competitors/Compétiteurs B

#	Name/Nom	Grade	Club	5	6	7	W/G	Pts	Pos
5	MCCRISTALL Angelina	shodan	ON/Upper Canada	XX			0	0	3
6	QUACH Heidi	shodan	QC/Métropolitain	10	XX	10	2	20	1
7	DANILKOV Ekaterina	shodan	BC/Steveston	10		XX	1	10	2

Pool B

Match	White/Blanc	Blue/Bleu	Res/Rés	Tim/Tmp	Code
D-31	MCCRISTALL Angelina 5 6	QUACH Heidi	0 - 10	1:59	WIP
D-46	MCCRISTALL Angelina 5 7	DANILKOV Ekaterina	0 - 10	2:20	IPO
D-57	QUACH Heidi 6 7	DANILKOV Ekaterina	10 - 0	1:45	WIP



Results/Résultats

Pos	Name/Nom
1	QUACH Heidi, QC/Métropolitain
2	TURMEL Marie-Lune, QC/Blainville
3	DANILKOV Ekaterina, BC/Steveston
3	ORTIZ Monica, QC/Métropolitain

U21 Female -52kg

Competitors/Compétiteurs

#	Name/Nom	Grade	Club	1	2	3	4	W/G	Pts	Pos
1	SIMARD-LEJEUNE Mathilde	shodan	QC/Tritton	XX	10	10	10	3	30	1
2	LOUET Violette	shodan	QC/Judo Monde		XX	10	5	2	15	2
3	TKACHENKO Dasha	brown	ON/Taifu			XX		0	0	4
4	SHEARER Lola	shodan	BC/Steveston			5	XX	1	5	3

Matches/Matches

Match	White/Blanc			Blue/Bleu	Res/Rés	Tim/Tmp	Code
A-38	SIMARD-LEJEUNE Mathilde	1	2	LOUET Violette	10 - 0	1:38	IPO
A-39	TKACHENKO Dasha	3	4	SHEARER Lola	0 - 5	4:00	WAZ
A-49	SIMARD-LEJEUNE Mathilde	1	3	TKACHENKO Dasha	10 - 0	2:23	WIP
A-50	LOUET Violette	2	4	SHEARER Lola	5 - 0	4:00	WAZ
A-61	SIMARD-LEJEUNE Mathilde	1	4	SHEARER Lola	10 - 0	0:31	IPO
A-62	LOUET Violette	2	3	TKACHENKO Dasha	10 - 0	4:24	HAN

Results/Résultats

Pos	Name/Nom
1	SIMARD-LEJEUNE Mathilde, QC/Tritton
2	LOUET Violette, QC/Judo Monde
3	SHEARER Lola, BC/Steveston

U21 Female -57kg

Competitors/Compétiteurs

#	Name/Nom	Grade	Club	1	2	3	4	5	W/G	Pts	Pos
1	NGUYEN Kim	blue	USA/Zenyu Judo Dojo	XX					0	0	5
2	KO Hailey	shodan	BC/Peak Judo Club	10	XX	10	10		3	30	2
3	KUMAR Suneha	brown	USA/Ippon Judo Dojo	10		XX			1	10	4
4	GARCIA Talaya	brown	USA/Ippon Judo Dojo	5		10	XX		2	15	3
5	KARAS Kondelia	shodan	AB/Kodokwai	10	10	10	10	XX	4	40	1

Matches/Matches

Match	White/Blanc			Blue/Bleu	Res/Rés	Tim/Tmp	Code
D-19	GARCIA Talaya	4	5	KARAS Kondelia	0 - 10	2:31	IPO
D-20	NGUYEN Kim	1	2	KO Hailey	0 - 10	1:47	IPO
D-24	KUMAR Suneha	3	4	GARCIA Talaya	0 - 10	1:55	IPO
D-25	NGUYEN Kim	1	5	KARAS Kondelia	0 - 10	1:59	WIP
D-34	KO Hailey	2	3	KUMAR Suneha	10 - 0	0:55	IPO
D-35	NGUYEN Kim	1	4	GARCIA Talaya	0 - 5	6:26	GSW
D-49	KUMAR Suneha	3	5	KARAS Kondelia	0 - 10	1:12	IPO
D-50	KO Hailey	2	4	GARCIA Talaya	10 - 0	2:23	IPO
D-60	NGUYEN Kim	1	3	KUMAR Suneha	0 - 10	2:03	IPO
D-61	KO Hailey	2	5	KARAS Kondelia	0 - 10	0:48	IPO

Results/Résultats

Pos	Name/Nom
1	KARAS Kondelia, AB/Kodokwai
2	KO Hailey, BC/Peak Judo Club
3	GARCIA Talaya, USA/Ippon Judo Dojo
4	KUMAR Suneha, USA/Ippon Judo Dojo

U21 Female -70kg

Competitors/Compétiteurs

#	Name/Nom	Grade	Club	1	2	3	4	5	W/G	Pts	Pos
1	PERKINSON Meloize	brown	QC/Boucherville	XX		10	10	10	3	30	2
2	ROBERTSON Loika	brown	QC/St. Jean-Bosco	10	XX	10	10	10	4	40	1
3	FRANSON Deziree	brown	SK/Saskatoon Y			XX		10	1	10	4
4	FRANSON Brooklyn	brown	SK/Saskatoon Y			10	XX	10	2	20	3
5	EKOSKY Sarah	shodan	MB/Selkirk					XX	0	0	5

Matches/Matches

Match	White/Blanc			Blue/Bleu	Res/Rés	Tim/Tmp	Code
B-19	FRANSON Brooklyn	4	5	EKOSKY Sarah	10 - 0	0:00	GSI
B-20	PERKINSON Meloize	1	2	ROBERTSON Loika	0 - 10	1:06	IPO
B-24	FRANSON Deziree	3	4	FRANSON Brooklyn	0 - 10	0:00	IPO
B-25	PERKINSON Meloize	1	5	EKOSKY Sarah	10 - 0	0:00	FUS
B-34	ROBERTSON Loika	2	3	FRANSON Deziree	10 - 0	1:21	IPO
B-35	PERKINSON Meloize	1	4	FRANSON Brooklyn	10 - 0	3:50	HAN
B-49	FRANSON Deziree	3	5	EKOSKY Sarah	10 - 0	0:00	FUS
B-50	ROBERTSON Loika	2	4	FRANSON Brooklyn	10 - 0	8:56	GSI
B-60	PERKINSON Meloize	1	3	FRANSON Deziree	10 - 0	4:42	GSI
B-61	ROBERTSON Loika	2	5	EKOSKY Sarah	10 - 0	0:00	FUS

Results/Résultats

Pos	Name/Nom
1	ROBERTSON Loika, QC/St. Jean-Bosco
2	PERKINSON Meloize, QC/Boucherville
3	FRANSON Brooklyn, SK/Saskatoon Y
4	FRANSON Deziree, SK/Saskatoon Y

U21 Female -70kg (TB)

Competitors/Compétiteurs

#	Name/Nom	Grade	Club	1	2	3	W/G	Pts	Pos
1	FRANSON Brooklyn	brown	SK/Saskatoon Y	XX	10	10	2	20	1
2	FRANSON Deziree	brown	SK/Saskatoon Y		XX	10	1	10	2
3	EKOSKY Sarah	shodan	MB/Selkirk			XX	0	0	3

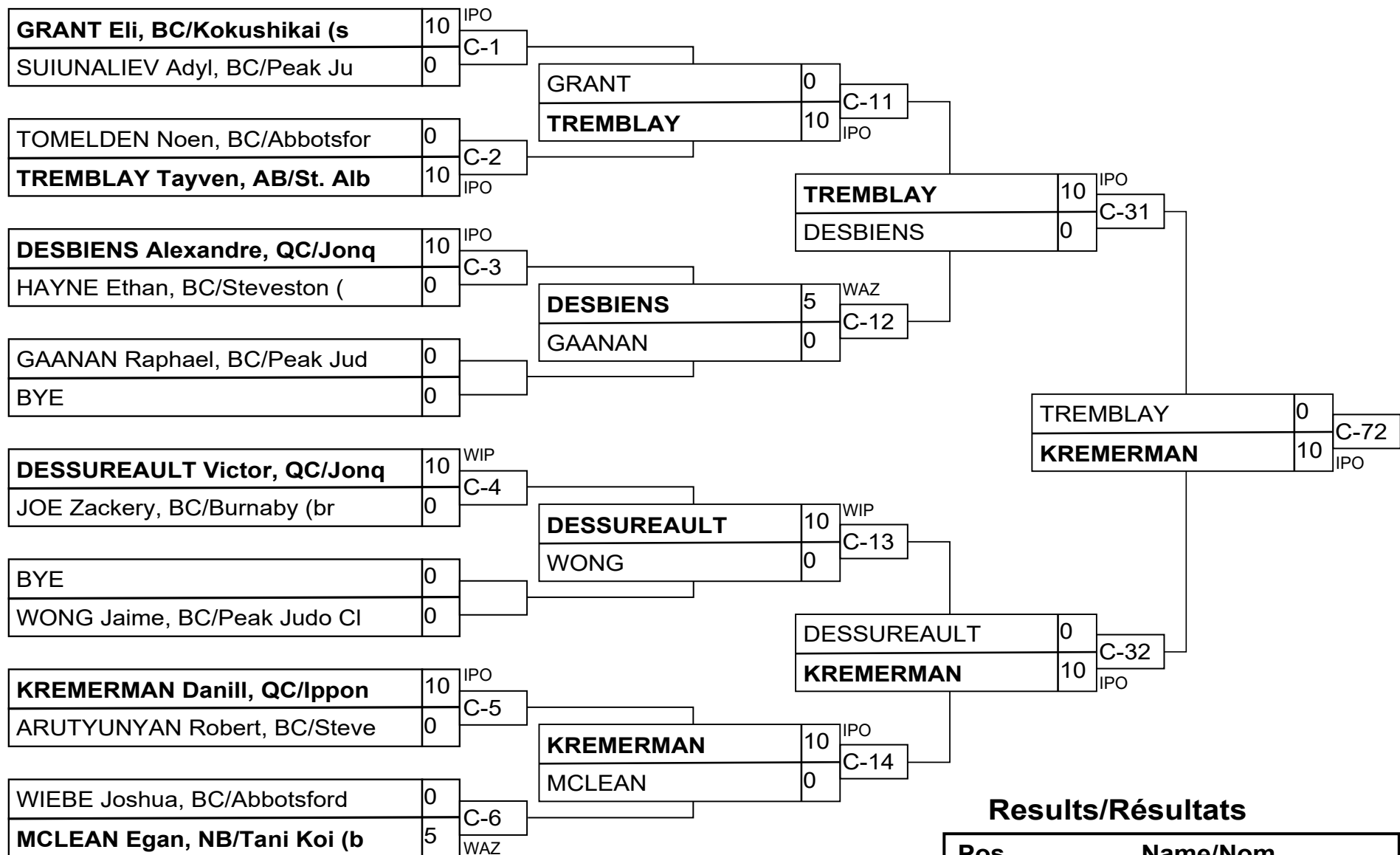
Matches/Matches

Match	White/Blanc			Blue/Bleu	Res/Rés	Tim/Tmp	Code
B-65A	FRANSON Brooklyn	1	2	FRANSON Deziree	10 - 0	0:00	GSI
B-68A	FRANSON Brooklyn	1	3	EKOSKY Sarah	10 - 0	0:00	FUS
B-74	FRANSON Deziree	2	3	EKOSKY Sarah	10 - 0	0:00	FUS

Results/Résultats

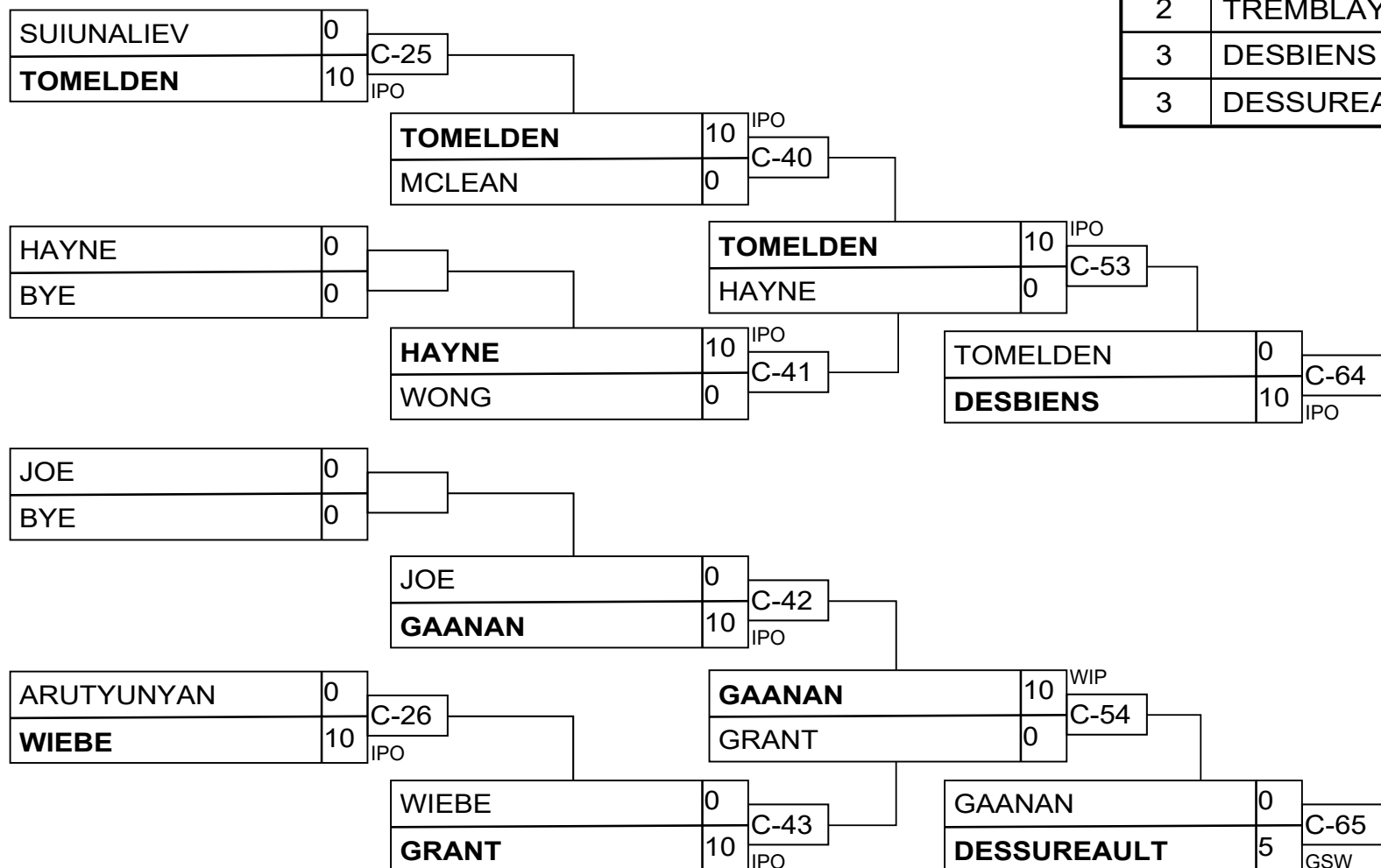
Pos	Name/Nom
1	FRANSON Brooklyn, SK/Saskatoon Y
2	FRANSON Deziree, SK/Saskatoon Y

U21 Male -60kg



Results/Résultats

Pos	Name/Nom
1	KREMERMEN Danill, QC/Ipp
2	TREMBLAY Tayven, AB/St.
3	DESBIENS Alexandre, QC/J
3	DESSUREAULT Victor, QC/J



U21 Male -66kg

Competitors/Compétiteurs A

#	Name/Nom	Grade	Club	1	2	3	W/G	Pts	Pos
1	VAN ZYL Andries	shodan	BC/Hart	XX	10	10	2	20	1
2	WALSH Iain	brown	BC/Kokushikai		XX	10	1	10	2
3	HARCOTT Benjamin	brown	BC/Kamloops			XX	0	0	3

Pool A

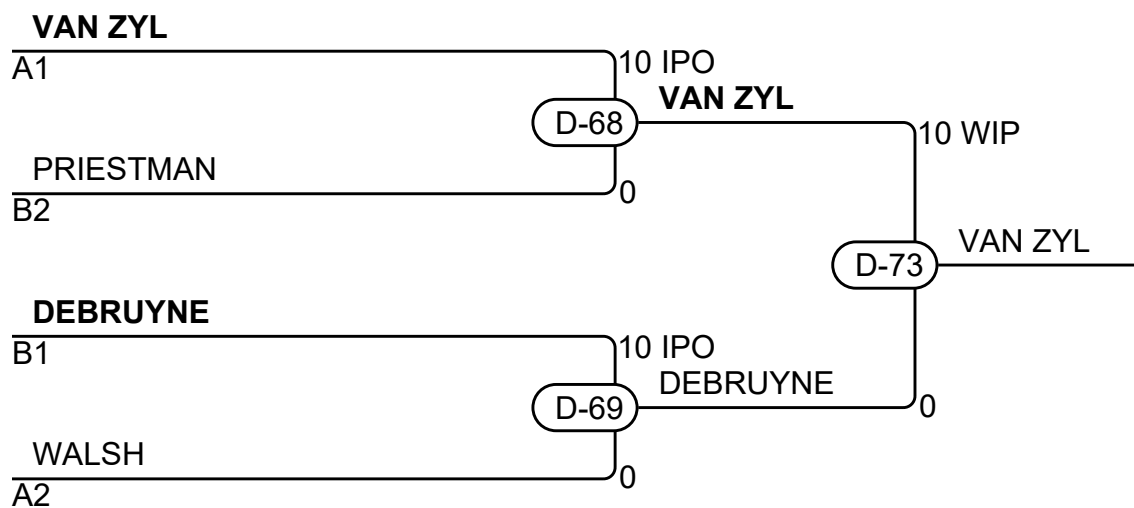
Match	White/Blanc	Blue/Bleu	Res/Rés	Tim/Tmp	Code
D-32	VAN ZYL Andries 1 2	WALSH Iain	10 - 0	0:37	IPO
D-47	VAN ZYL Andries 1 3	HARCOTT Benjamin	10 - 0	0:34	WIP
D-58	WALSH Iain 2 3	HARCOTT Benjamin	10 - 0	0:27	WIP

Competitors/Compétiteurs B

#	Name/Nom	Grade	Club	4	5	6	W/G	Pts	Pos
4	DEBRUYNE Ashton	brown	SK/Regina Y	XX	10	10	2	20	1
5	PRIESTMAN Cole	brown	BC/Peak Judo Club		XX	10	1	10	2
6	DE FIGUEIROA Caio	brown	BC/Abbotsford			XX	0	0	3

Pool B

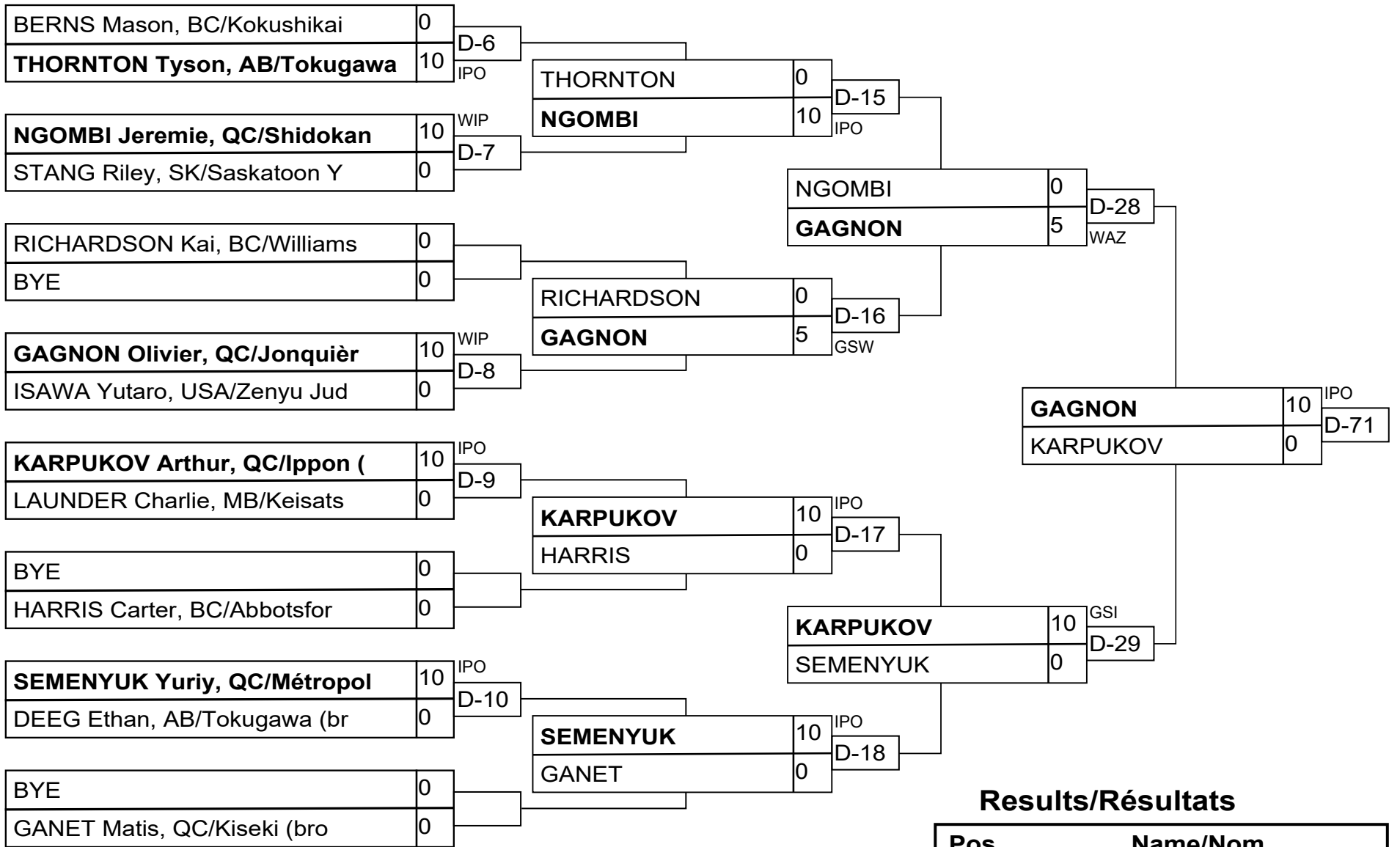
Match	White/Blanc	Blue/Bleu	Res/Rés	Tim/Tmp	Code
D-33	DEBRUYNE Ashton 4 5	PRIESTMAN Cole	10 - 0	0:22	IPO
D-48	DEBRUYNE Ashton 4 6	DE FIGUEIROA Caio	10 - 0	0:33	IPO
D-59	PRIESTMAN Cole 5 6	DE FIGUEIROA Caio	10 - 0	0:15	IPO



Results/Résultats

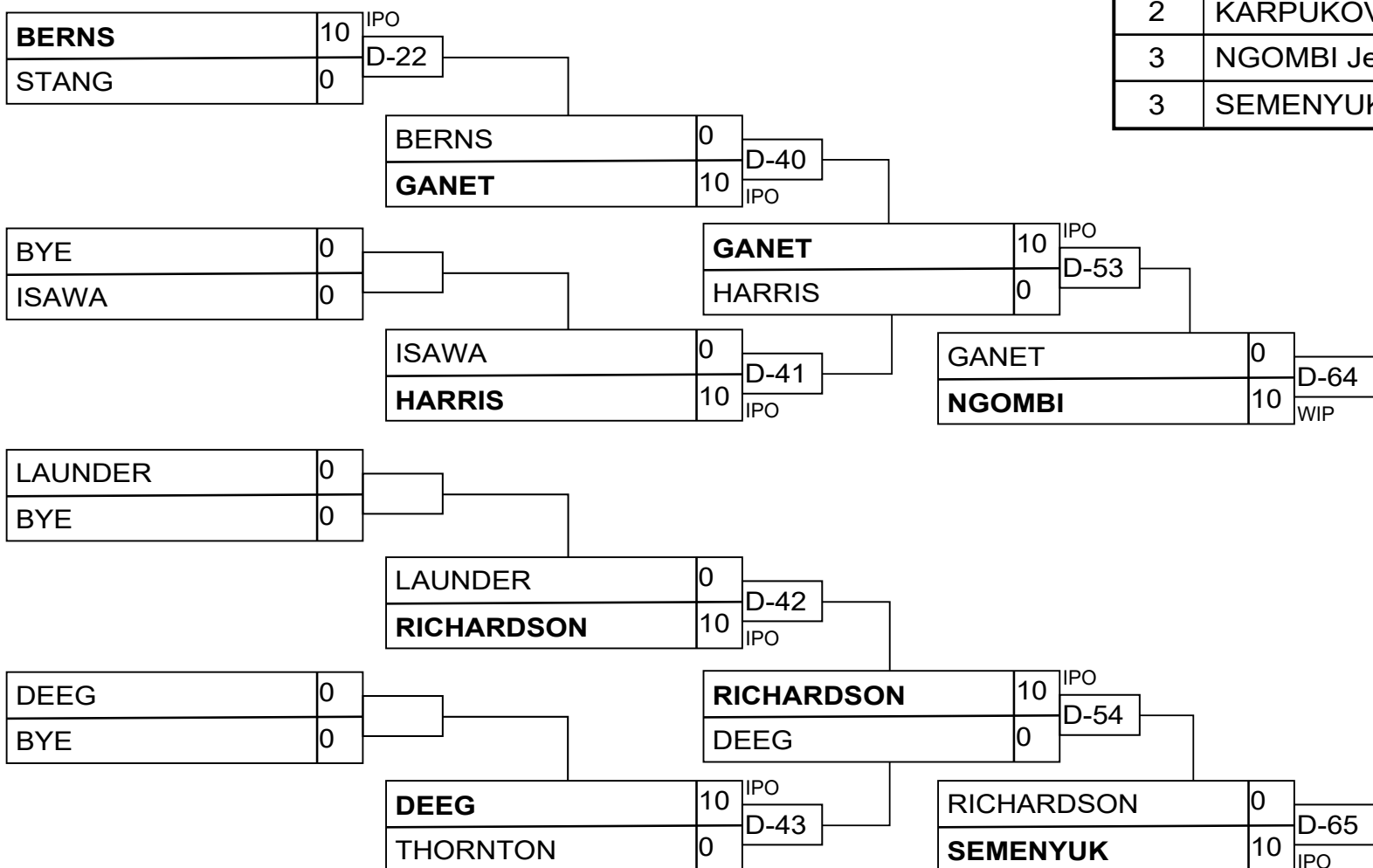
Pos	Name/Nom
1	VAN ZYL Andries, BC/Hart
2	DEBRUYNE Ashton, SK/Regina Y
3	PRIESTMAN Cole, BC/Peak Judo Club
3	WALSH Iain, BC/Kokushikai

U21 Male -73kg



Results/Résultats

Pos	Name/Nom
1	GAGNON Olivier, QC/Jonqu
2	KARPUKOV Arthur, QC/Ippo
3	NGOMBI Jeremie, QC/Shido
3	SEMENYUK Yuriy, QC/Métro



U21 Male -81kg

Competitors/Compétiteurs A

#	Name/Nom	Grade	Club	1	2	3	4	W/G	Pts	Pos
1	FOSS Takumi	brown	USA/Budokan Judo Dojo -	XX				0	0	4
2	ANDRIAMANANA Faniry-Michae	shodan	QC/St. Hyacinthe	10	XX	10	10	3	30	1
3	BREGET Winter	blue	BC/Lake Country	10		XX	10	2	20	2
4	CHEVALIER Louis	shodan	ON/Hayabusakan	10			XX	1	10	3

Pool A

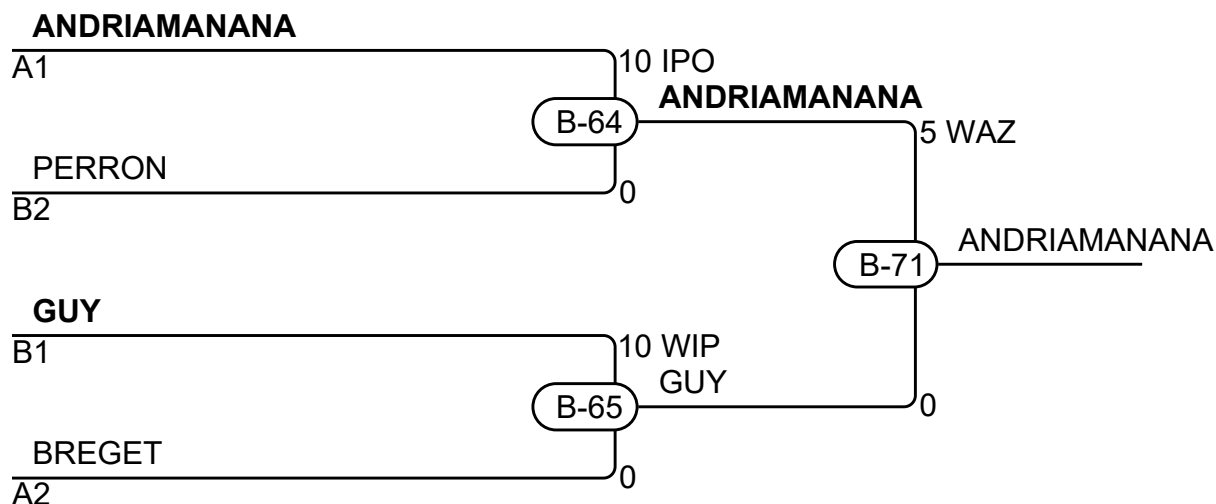
Match	White/Blanc			Blue/Bleu	Res/Rés	Tim/Tmp	Code
B-23	FOSS Takumi	1	2	ANDRIAMANANA Faniry-Michael	0 - 10	0:32	WIP
B-28	BREGET Winter	3	4	CHEVALIER Louis	10 - 0	0:54	IPO
B-40	FOSS Takumi	1	3	BREGET Winter	0 - 10	1:05	IPO
B-41	ANDRIAMANANA Faniry-Michael	2	4	CHEVALIER Louis	10 - 0	2:40	WIP
B-53	FOSS Takumi	1	4	CHEVALIER Louis	0 - 10	0:32	IPO
B-54	ANDRIAMANANA Faniry-Michael	2	3	BREGET Winter	10 - 0	0:19	IPO

Competitors/Compétiteurs B

#	Name/Nom	Grade	Club	5	6	7	W/G	Pts	Pos
5	GUY Porter	shodan	ON/Hatashita	XX	10	5	2	15	1
6	ANDREVE Nathan	blue	USA/Ippon Judo Dojo		XX		0	0	3
7	PERRON Mathias	brown	QC/Shidokan		10	XX	1	10	2

Pool B

Match	White/Blanc			Blue/Bleu	Res/Rés	Tim/Tmp	Code
B-29	GUY Porter	5	6	ANDREVE Nathan	10 - 0	2:11	WIP
B-42	GUY Porter	5	7	PERRON Mathias	5 - 0	8:12	GSW
B-55	ANDREVE Nathan	6	7	PERRON Mathias	0 - 10	2:35	WIP



Results/Résultats

Pos	Name/Nom
1	ANDRIAMANANA Faniry-Michael, QC/St. Hyacinthe
2	GUY Porter, ON/Hatashita
3	PERRON Mathias, QC/Shidokan
3	BREGET Winter, BC/Lake Country

U21 Male -90kg

Competitors/Compétiteurs

#	Name/Nom	Grade	Club	1	2	3	4	5	W/G	Pts	Pos
1	PREVOST Hayden	brown	BC/Hart	XX			10	10	2	20	3
2	NEWCOMEN Finn	brown	BC/Kamloops	10	XX	10	10	10	4	40	1
3	HARTMAN Ben	brown	USA/Zenyu Judo Dojo	10		XX	10	10	3	30	2
4	MURRU Marcus	blue	BC/Abbotsford				XX		0	0	5
5	CONNOLLY Liam	blue	BC/Westsyde				10	XX	1	10	4

Matches/Matches

Match	White/Blanc			Blue/Bleu	Res/Rés	Tim/Tmp	Code
A-22	MURRU Marcus	4	5	CONNOLLY Liam	0 - 10	0:13	IPO
A-23	PREVOST Hayden	1	2	NEWCOMEN Finn	0 - 10	0:09	IPO
A-32	HARTMAN Ben	3	4	MURRU Marcus	10 - 0	0:29	IPO
A-33	PREVOST Hayden	1	5	CONNOLLY Liam	10 - 0	0:16	IPO
A-40	NEWCOMEN Finn	2	3	HARTMAN Ben	10 - 0	0:20	IPO
A-41	PREVOST Hayden	1	4	MURRU Marcus	10 - 0	0:15	IPO
A-51	HARTMAN Ben	3	5	CONNOLLY Liam	10 - 0	0:51	IPO
A-52	NEWCOMEN Finn	2	4	MURRU Marcus	10 - 0	0:19	IPO
A-63	PREVOST Hayden	1	3	HARTMAN Ben	0 - 10	1:01	IPO
A-64	NEWCOMEN Finn	2	5	CONNOLLY Liam	10 - 0	0:46	WIP

Results/Résultats

Pos	Name/Nom
1	NEWCOMEN Finn, BC/Kamloops
2	HARTMAN Ben, USA/Zenyu Judo Dojo
3	PREVOST Hayden, BC/Hart
4	CONNOLLY Liam, BC/Westsyde

U21 Male -100kg

Competitors/Compétiteurs

#	Name/Nom	Grade	Club	1	W/G	Pts	Pos
1	AKBASHEV Michael	shodan	MB/BP Judo club	XX	0	0	1

Matches/Matches

Match	White/Blanc	Blue/Bleu	Res/Rés	Tim/Tmp	Code
-------	-------------	-----------	---------	---------	------

Results/Résultats

Pos	Name/Nom

U21 Male +100kg

Competitors/Compétiteurs

#	Name/Nom	Grade	Club	1	2	3	W/G	Pts	Pos
1	VELASQUEZ KASAP Abel	blue	BC/Police Jr.	XX		10	1	10	2
2	JAFARI-MINAB Ravi	blue	BC/Langley	10	XX	10	2	20	1
3	SUZUKI Yoshiki	blue	USA/Budokan Judo Dojo -			XX	0	0	3

Matches/Matches

Match	White/Blanc			Blue/Bleu	Res/Rés	Tim/Tmp	Code
A-42	VELASQUEZ KASAP Abel	1	2	JAFARI-MINAB Ravi	0 - 10	0:53	IPO
A-53	VELASQUEZ KASAP Abel	1	3	SUZUKI Yoshiki	10 - 0	0:06	IPO
A-65	JAFARI-MINAB Ravi	2	3	SUZUKI Yoshiki	10 - 0	0:17	IPO

Results/Résultats

Pos	Name/Nom
1	JAFARI-MINAB Ravi, BC/Langley
2	VELASQUEZ KASAP Abel, BC/Police Jr.