

SF -48 kg

Competitors/Compétiteurs A

#	Name/Nom	Club	1	2	3	W/G	Pts	Pos
1	TAMURA Addyson	AB	XX		10	1	10	2
2	ORTIZ Monica	QC	10	XX	10	2	20	1
3	ESPARBES Kylee	BC			XX	0	0	3

Pool A

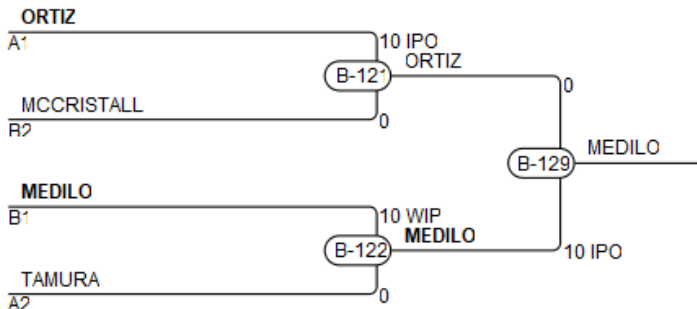
Match	White/Blanc	Blue/Bleu	Res/Rés	Tim/Tmp	Code
B-83	TAMURA Addyson 1 2	ORTIZ Monica	0 - 10	0:53	IPO
B-96	TAMURA Addyson 1 3	ESPARBES Kylee	10 - 0	1:19	IPO
B-109	ORTIZ Monica 2 3	ESPARBES Kylee	10 - 0	1:51	IPO

Competitors/Compétiteurs B

#	Name/Nom	Club	4	5	6	W/G	Pts	Pos
4	MCCRISTALL Angelina	ON	XX	10		1	10	2
5	MESONGNIK Nicol	MB		XX		0	0	3
6	MEDILO Charlize Isabelle	AB	10	10	XX	2	20	1

Pool B

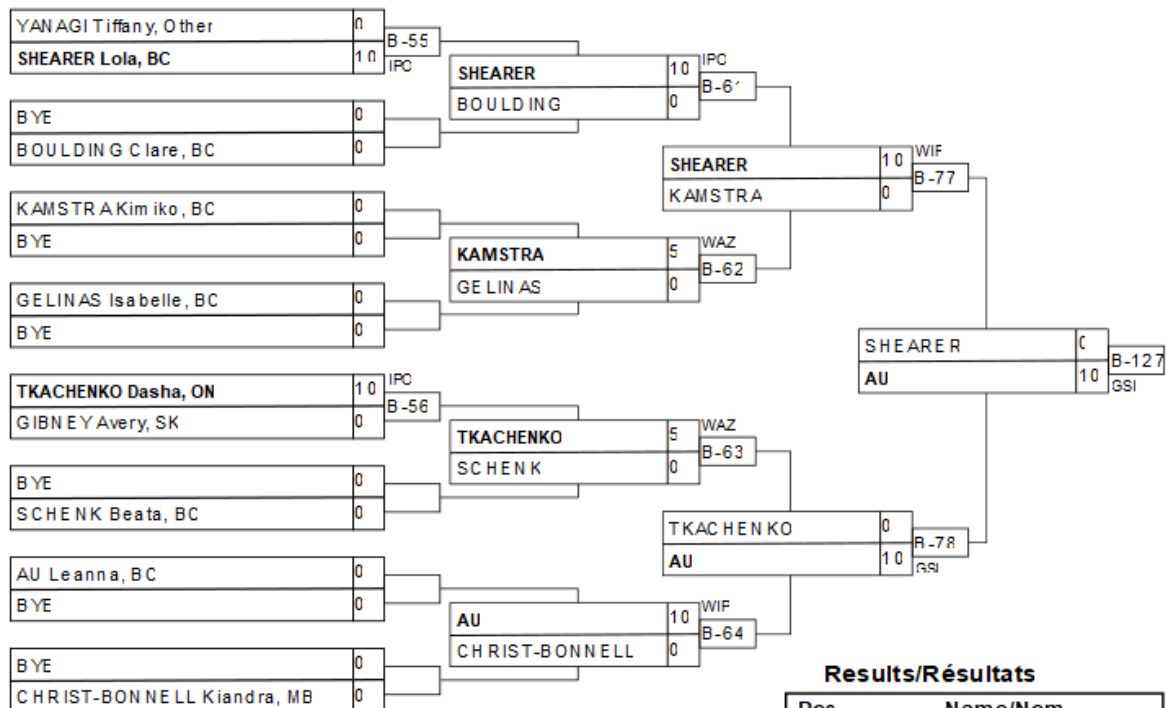
Match	White/Blanc	Blue/Bleu	Res/Rés	Tim/Tmp	Code
B-84	MCCRISTALL Angelina 4 5	MESONGNIK Nicol	10 - 0	9:28	GSI
B-97	MCCRISTALL Angelina 4 6	MEDILO Charlize Isabelle	0 - 10	0:11	IPO
B-110	MESONGNIK Nicol 5 6	MEDILO Charlize Isabelle	0 - 10	0:06	IPO



Results/Résultats

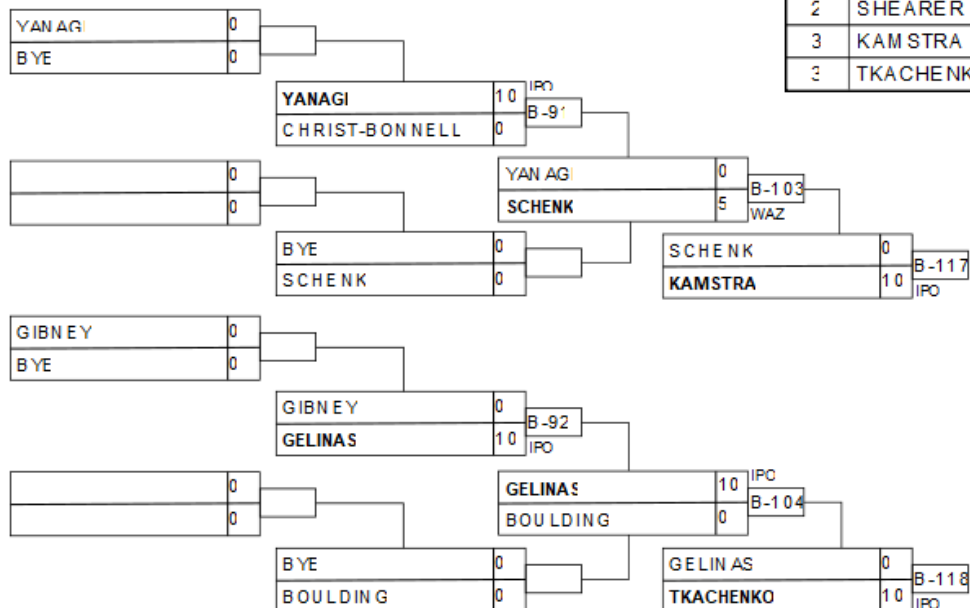
Pos	Name/Nom
1	MEDILO Charlize Isabelle, AB
2	ORTIZ Monica, QC
3	MCCRISTALL Angelina, ON
3	TAMURA Addyson, AB

SF -52 kg

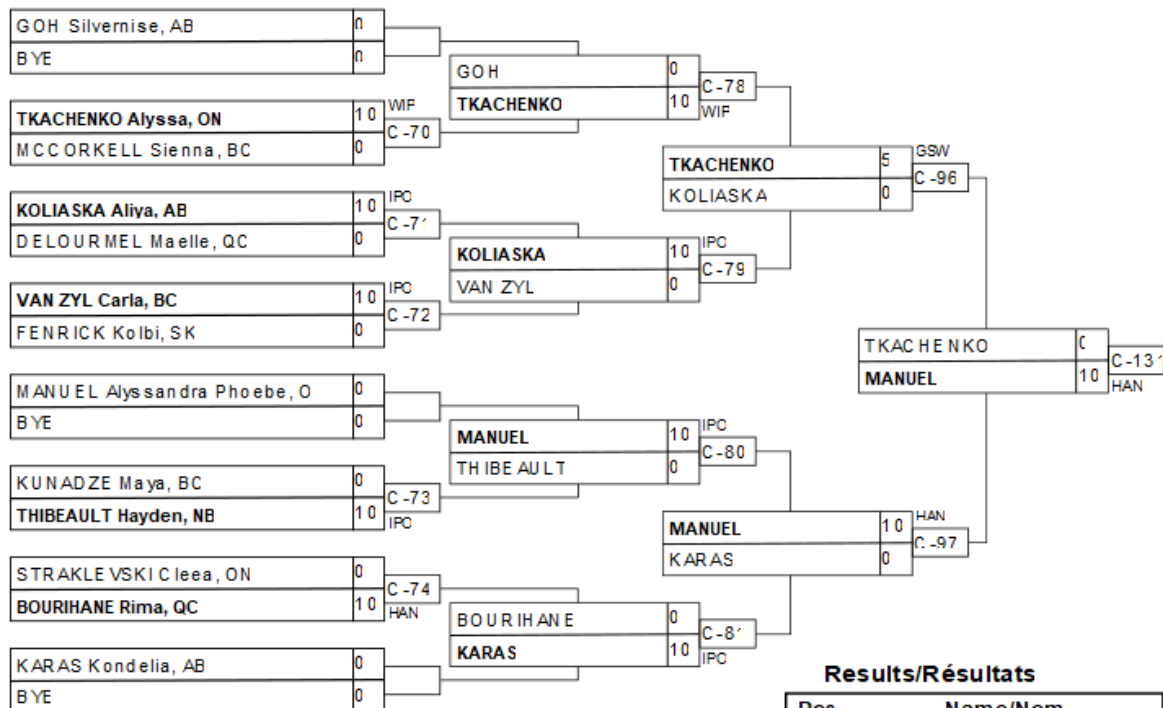


Results/Résultats

Pos	Name/Nom
1	AU Leanna, BC
2	SHEARER Lola, BC
3	KAMSTRA Kimiko, BC
3	TKACHENKO Dasha, ON



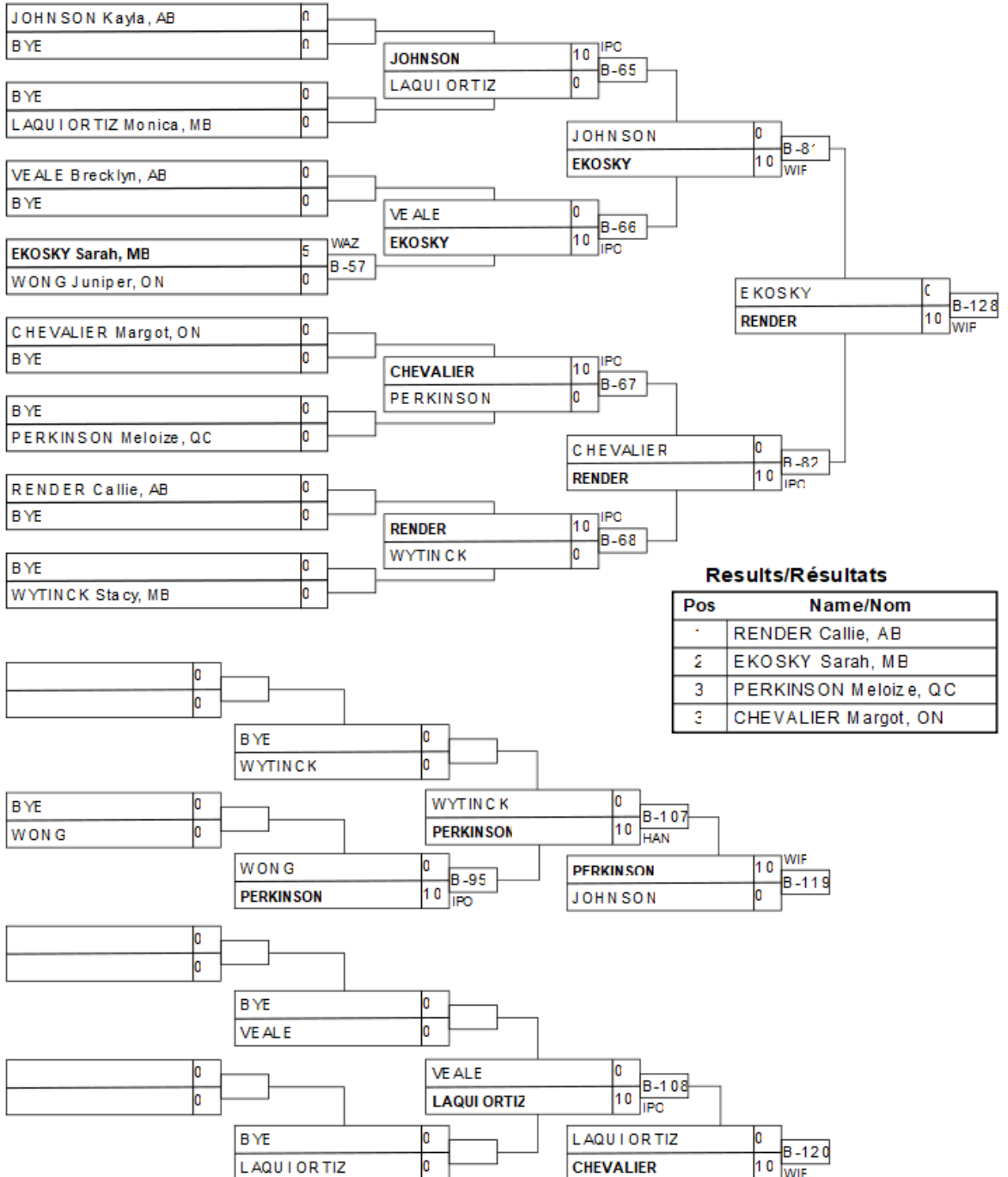
SF -57 kg



Results/Résultats

Pos	Name/Nom
1	MANUEL Alyssandra Phoebe
2	TKACHENKO Alyssa, ON
3	KOLIASKA Aliya, AB
3	KARAS Kondelia, AB

SF -63 kg



Results/Résultats

Pos	Name/Nom
1	RENDER Callie, AB
2	EKOSKY Sarah, MB
3	PERKINSON Meloize, QC
3	CHEVALIER Margot, ON

SF -70 kg

Competitors/Compétiteurs A

#	Name/Nom	Club	1	2	3	W/G	Pts	Pos
1	JORGENSEN Michelle	BC	XX			0	0	3
2	ROTBART Nova	BC	10	XX		1	10	2
3	BATBAYAR Maralgoo	AB	10	10	XX	2	20	1

Pool A

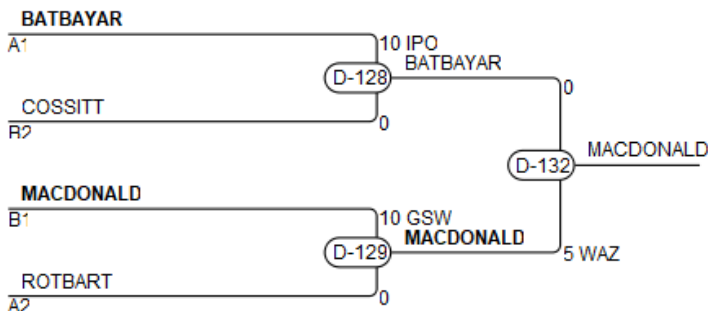
Match	White/Blanc	Blue/Bleu	Res/Rés	Tim/Tmp	Code
D-91	JORGENSEN Michelle 1 2	ROTBART Nova	0 - 10	2:20	IPO
D-106	JORGENSEN Michelle 1 3	BATBAYAR Maralgoo	0 - 10	2:02	WIP
D-117	ROTBART Nova 2 3	BATBAYAR Maralgoo	0 - 10	1:01	WIP

Competitors/Compétiteurs B

#	Name/Nom	Club	4	5	6	W/G	Pts	Pos
4	YIN Hannah	BC	XX			0	0	3
5	MACDONALD Meadow	AB	10	XX	10	2	20	1
6	COSSITT Elizabeth	AB	10		XX	1	10	2

Pool B

Match	White/Blanc	Blue/Bleu	Res/Rés	Tim/Tmp	Code
D-92	YIN Hannah 4 5	MACDONALD Meadow	0 - 10	0:45	WIP
D-107	YIN Hannah 4 6	COSSITT Elizabeth	0 - 10	1:18	IPO
D-118	MACDONALD Meadow 5 6	COSSITT Elizabeth	10 - 0	0:16	IPO



Results/Résultats

Pos	Name/Nom
1	MACDONALD Meadow, AB
2	BATBAYAR Maralgoo, AB
3	COSSITT Elizabeth, AB
3	ROTBART Nova, BC

SF -78 kg

Competitors/Compétiteurs

#	Name/Nom	Club	1	2	1	2	1	2	W/G	Pts	Pos
1	FOWLER Naomi	NB	XX		XX		XX		0	0	2
2	NEUMAN Megan	SK	10	XX	10	XX		XX	2	20	1

Matches/Matches

Match	White/Blanc			Blue/Bleu	Res/Rés	Tim/Tmp	Code
B-85	FOWLER Naomi	1	2	NEUMAN Megan	0 - 10	0:52	IPO
B-98	NEUMAN Megan	2	1	FOWLER Naomi	10 - 0	0:25	IPO
B-111	FOWLER Naomi	1	2	NEUMAN Megan			

Results/Résultats

Pos	Name/Nom
1	NEUMAN Megan, SK

SF +78 kg

Competitors/Compétiteurs

#	Name/Nom	Club	1	2	3	W/G	Pts	Pos
1	SERGEEVA Julia	AB	XX	5		1	5	3
2	KEAYS Jannessa	SK		XX	10	1	10	1
3	KARAS Marianna	AB	10		XX	1	10	2

Matches/Matches

Match	White/Blanc			Blue/Bleu	Res/Rés	Tim/Tmp	Code
D-93	SERGEEVA Julia	1	2	KEAYS Jannessa	5 - 0	4:00	WAZ
D-108	SERGEEVA Julia	1	3	KARAS Marianna	0 - 10	2:35	IPO
D-119	KEAYS Jannessa	2	3	KARAS Marianna	10 - 0	2:04	IPO

Results/Résultats

Pos	Name/Nom
1	KEAYS Jannessa, SK
2	KARAS Marianna, AB
3	SERGEEVA Julia, AB

SF Novice -57 kg

Competitors/Compétiteurs

#	Name/Nom	Club	1	2	1	2	1	2	W/G	Pts	Pos
1	HINCHEY Jaymi	YT	XX	10	XX	10	XX		2	20	1
2	BOLLINGER Elsa	BC		XX		XX		XX	0	0	2

Matches/Matches

Match	White/Blanc			Blue/Bleu	Res/Rés	Tim/Tmp	Code
D-95	HINCHEY Jaymi	1	2	BOLLINGER Elsa	10 - 0	0:41	WIP
D-110	BOLLINGER Elsa	2	1	HINCHEY Jaymi	0 - 10	1:21	IPO
D-121	HINCHEY Jaymi	1	2	BOLLINGER Elsa			

Results/Résultats

Pos	Name/Nom
1	HINCHEY Jaymi, YT

SF Novice -63 kg

Competitors/Compétiteurs

#	Name/Nom	Club	1	2	3	W/G	Pts	Pos
1	QUERIN Mackenzie	AB	XX	10		1	10	2
2	MARK Karen	AB		XX		0	0	3
3	SOILAND Trinity	AB	10	5	XX	2	15	1

Matches/Matches

Match	White/Blanc			Blue/Bleu	Res/Rés	Tim/Tmp	Code
A-100	QUERIN Mackenzie	1	2	MARK Karen	10 - 0	1:08	IPO
A-110	QUERIN Mackenzie	1	3	SOILAND Trinity	0 - 10	3:38	IPO
A-118	MARK Karen	2	3	SOILAND Trinity	0 - 5	4:00	WAZ

Results/Résultats

Pos	Name/Nom
1	SOILAND Trinity, AB
2	QUERIN Mackenzie, AB

SF Novice -70 kg

Competitors/Compétiteurs

#	Name/Nom	Club	1	2	1	2	1	2	W/G	Pts	Pos
1	SAWATZKY Jasmyn	SK	XX		XX	10	XX	10	2	20	1
2	LITCHFIELD Isabel	AB	10	XX		XX		XX	1	10	2

Matches/Matches

Match	White/Blanc			Blue/Bleu	Res/Rés	Tim/Tmp	Code
D-94	SAWATZKY Jasmyn	1	2	LITCHFIELD Isabel	0 - 10	1:43	WIP
D-109	LITCHFIELD Isabel	2	1	SAWATZKY Jasmyn	0 - 10	1:40	WIP
D-120	SAWATZKY Jasmyn	1	2	LITCHFIELD Isabel	10 - 0	0:16	IPO

Results/Résultats

Pos	Name/Nom
1	SAWATZKY Jasmyn, SK
2	LITCHFIELD Isabel, AB

SF Novice +78 kg

Competitors/Compétiteurs

#	Name/Nom	Club	1	2	1	2	1	2	W/G	Pts	Pos
1	HARRIS Emily	ON	XX	10	XX		XX		1	10	2
2	JONES Rebecca	ON		XX	10	XX	10	XX	2	20	1

Matches/Matches

Match	White/Blanc			Blue/Bleu	Res/Rés	Tim/Tmp	Code
B-86	HARRIS Emily	1	2	JONES Rebecca	10 - 0	4:00	IPO
B-99	JONES Rebecca	2	1	HARRIS Emily	10 - 0	2:56	WIP
B-112	HARRIS Emily	1	2	JONES Rebecca	0 - 10	2:18	WIP

Results/Résultats

Pos	Name/Nom
1	JONES Rebecca, ON
2	HARRIS Emily, ON

SM -100 kg

Competitors/Compétiteurs

#	Name/Nom	Club	1	2	3	4	W/G	Pts	Pos
1	ROCHELEAU Danick	QC	XX	10		10	2	20	2
2	LEENDERS Jadon	YT		XX			0	0	4
3	SKOMAROVSKYY Nazariy	QC	10	10	XX	10	3	30	1
4	HENRY Shaun	BC		10		XX	1	10	3

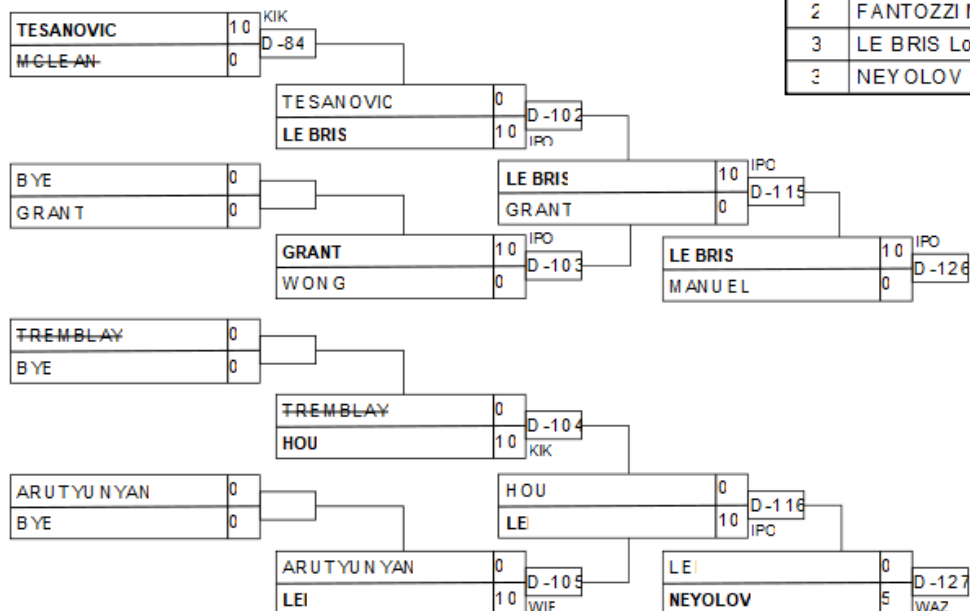
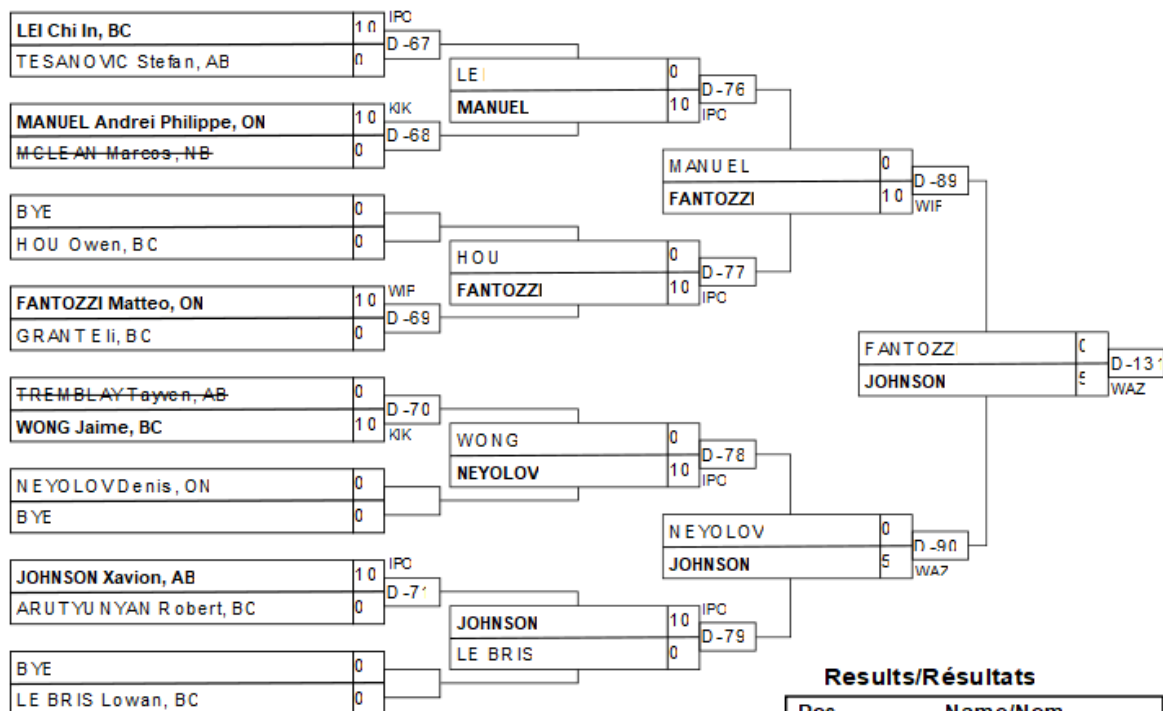
Matches/Matches

Match	White/Blanc			Blue/Bleu	Res/Rés	Tim/Tmp	Code
B-79	ROCHELEAU Danick	1	2	LEENDERS Jadon	10 - 0	2:37	IPO
B-80	SKOMAROVSKYY Nazariy	3	4	HENRY Shaun	10 - 0	0:33	WIP
B-93	ROCHELEAU Danick	1	3	SKOMAROVSKYY Nazariy	0 - 10	0:51	IPO
B-94	LEENDERS Jadon	2	4	HENRY Shaun	0 - 10	0:40	IPO
B-105	ROCHELEAU Danick	1	4	HENRY Shaun	10 - 0	1:17	WIP
B-106	LEENDERS Jadon	2	3	SKOMAROVSKYY Nazariy	0 - 10	0:06	IPO

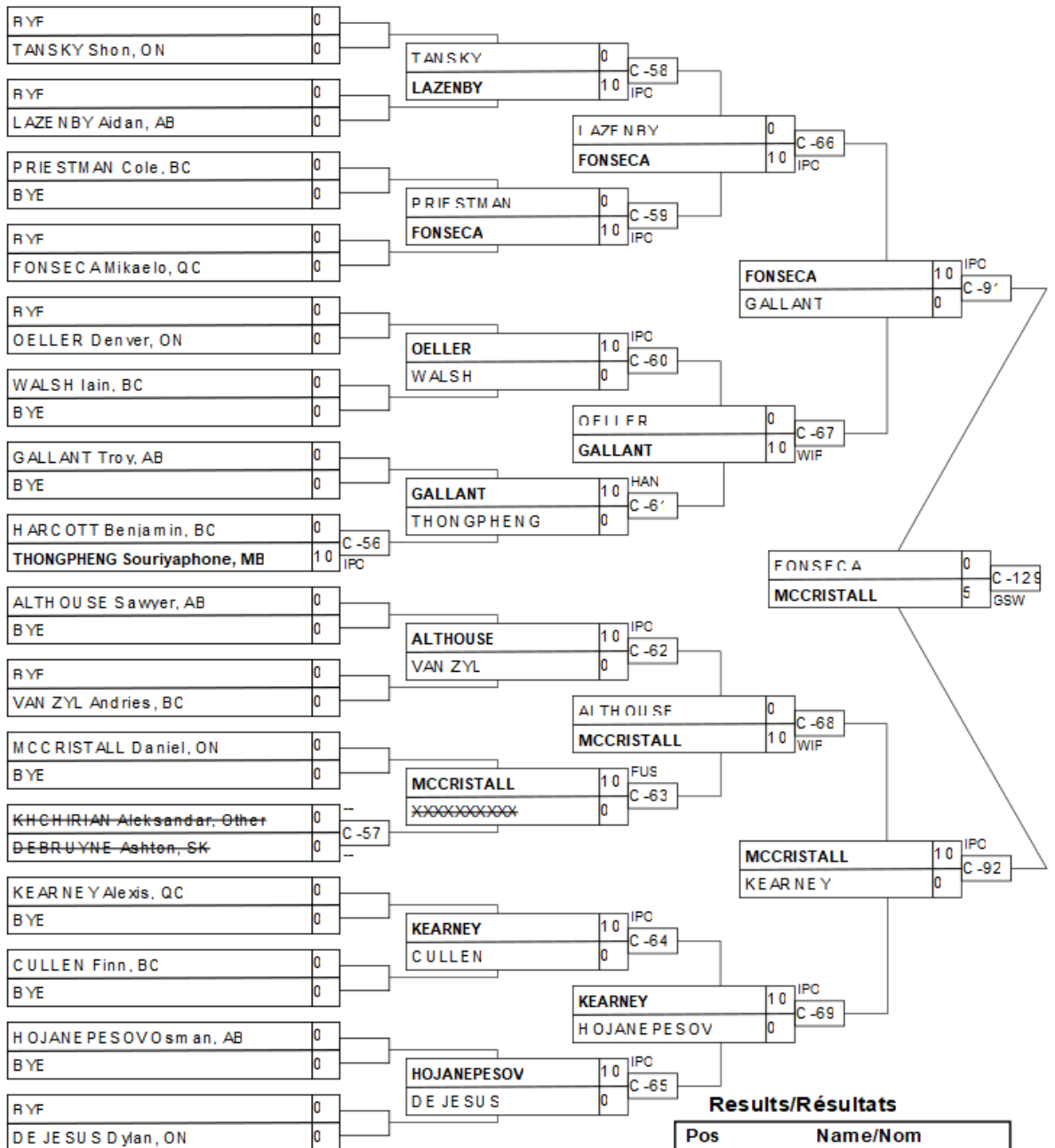
Results/Résultats

Pos	Name/Nom
1	SKOMAROVSKYY Nazariy, QC
2	ROCHELEAU Danick, QC
3	HENRY Shaun, BC

SM -60 kg



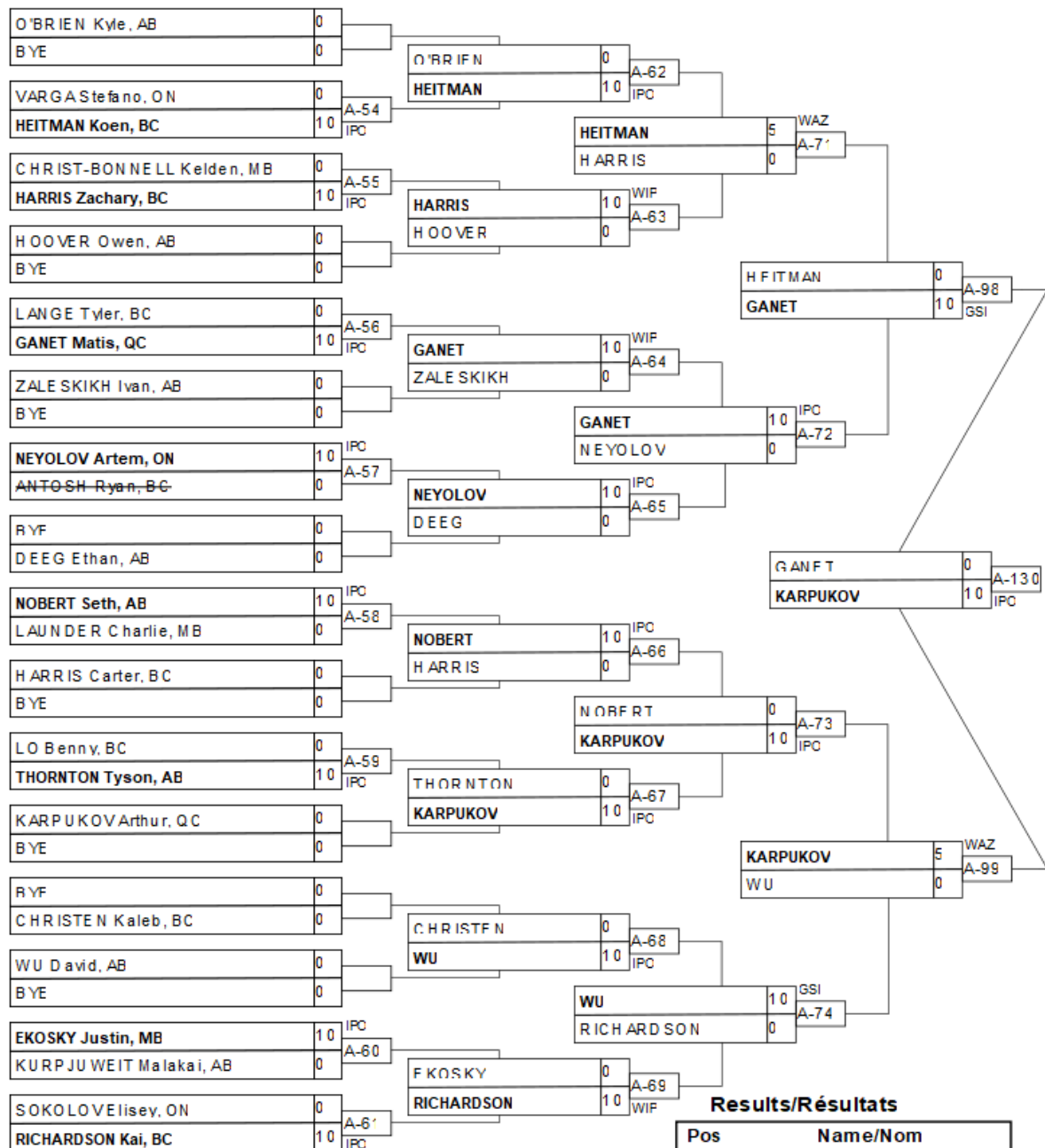
SM -66 kg



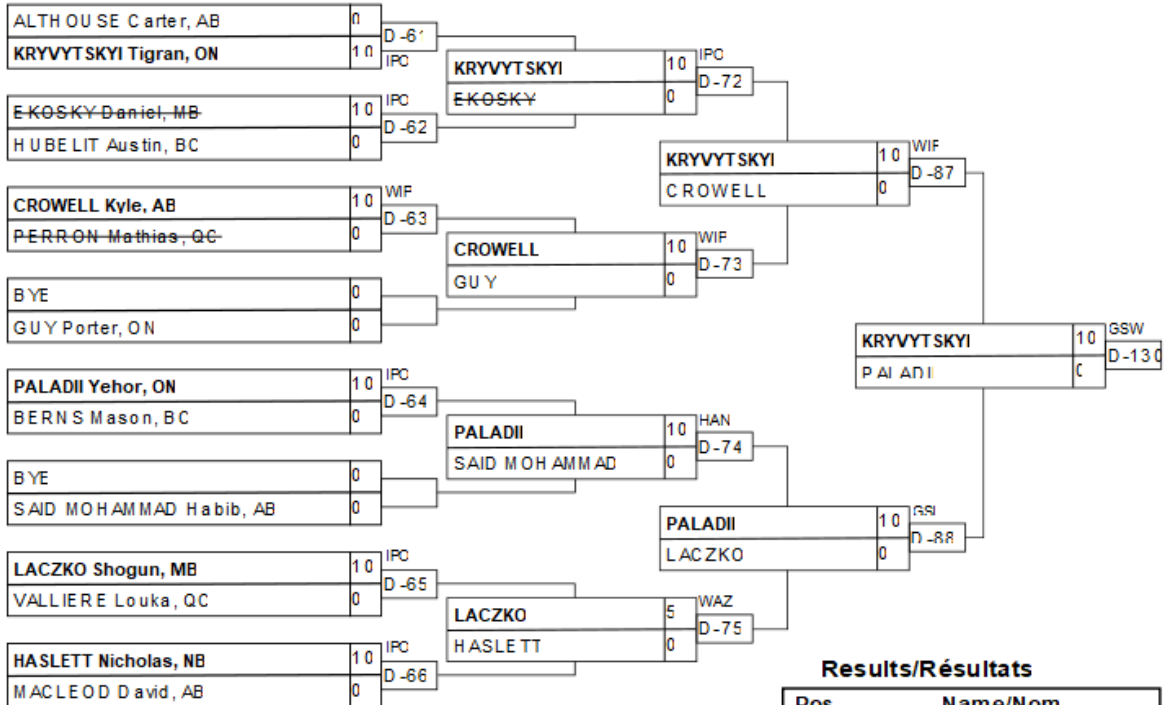
Results/Résultats

Pos	Name/Nom
1	MCCRISTALL Daniel, ON
2	FONSECA Mikaelo, QC
3	GALLANT Troy, AB
3	LAZENBY Aidan, AB

SM -73 kg

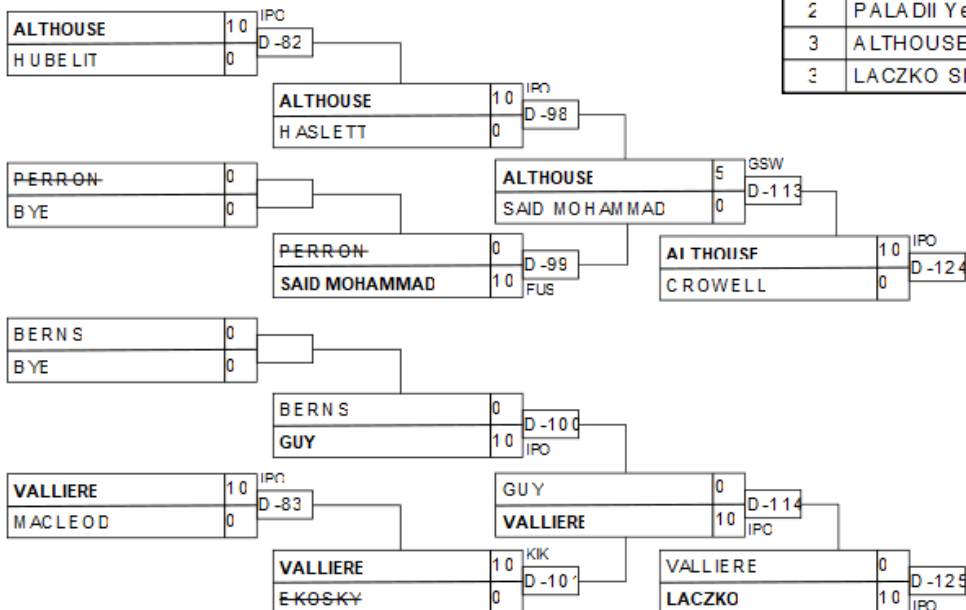


SM -81 kg



Results/Résultats

Pos	Name/Nom
1	KRYVYTSKYI Tigran, ON
2	PALADII Yehor, ON
3	ALTHOUSE Carter, AB
3	LACZKO Shogun, MB



SM -90 kg

Competitors/Compétiteurs A

#	Name/Nom	Club	1	2	3	4	W/G	Pts	Pos
1	DAUPHINEE Shane	AB	XX	10		10	2	20	2
2	NEWCOMEN Finn	BC		XX		10	1	10	3
3	RUSSO Martin Antonio	MB	10	10	XX	10	3	30	1
4	PREVOST Hayden	BC				XX	0	0	4

Pool A

Match	White/Blanc		Blue/Bleu	Res/Rés	Tim/Tmp	Code	
C-93	DAUPHINEE Shane	1	2	NEWCOMEN Finn	10 - 0	0:36	WIP
C-94	RUSSO Martin Antonio	3	4	PREVOST Hayden	10 - 0	1:05	IPO
C-104	DAUPHINEE Shane	1	3	RUSSO Martin Antonio	0 - 10	1:22	IPO
C-105	NEWCOMEN Finn	2	4	PREVOST Hayden	10 - 0	2:10	IPO
C-114	DAUPHINEE Shane	1	4	PREVOST Hayden	10 - 0	0:00	FUS
C-115	NEWCOMEN Finn	2	3	RUSSO Martin Antonio	0 - 10	1:12	WIP

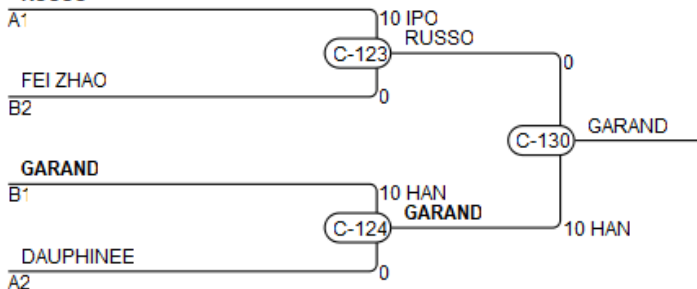
Competitors/Compétiteurs B

#	Name/Nom	Club	5	6	7	W/G	Pts	Pos
5	FEI ZHAO Tony	BC	XX		10	1	10	2
6	GARAND Alec	QC	10	XX	10	2	20	1
7	BURGESS Joel	BC			XX	0	0	3

Pool B

Match	White/Blanc		Blue/Bleu	Res/Rés	Tim/Tmp	Code	
C-95	FEI ZHAO Tony	5	6	GARAND Alec	0 - 10	1:43	IPO
C-106	FEI ZHAO Tony	5	7	BURGESS Joel	10 - 0	0:11	IPO
C-116	GARAND Alec	6	7	BURGESS Joel	10 - 0	2:19	WIP

RUSSO



Results/Résultats

Pos	Name/Nom
1	GARAND Alec, QC
2	RUSSO Martin Antonio, MB
3	FEI ZHAO Tony, BC
3	DAUPHINEE Shane, AB

SM +100 kg

Competitors/Compétiteurs

#	Name/Nom	Club	1	W/G	Pts	Pos
1	PIVOVAR Mark	AB	XX	0	0	1

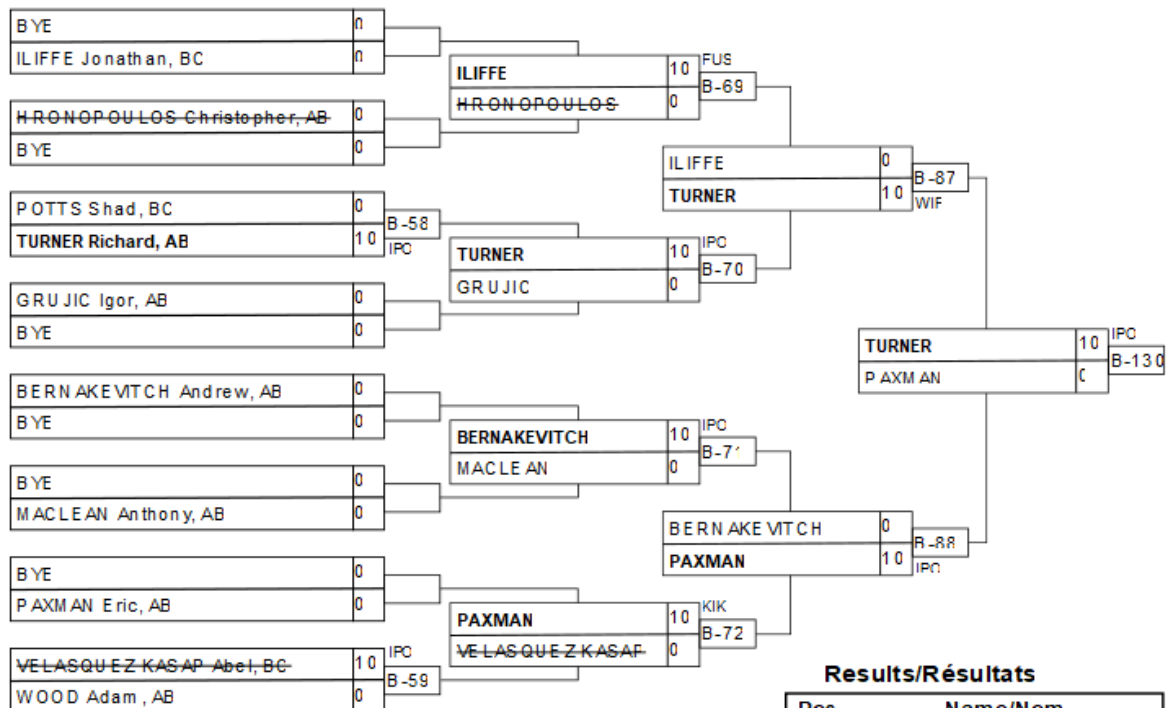
Matches/Matches

Match	White/Blanc	Blue/Bleu	Res/Rés	Tim/Tmp	Code
-------	-------------	-----------	---------	---------	------

Results/Résultats

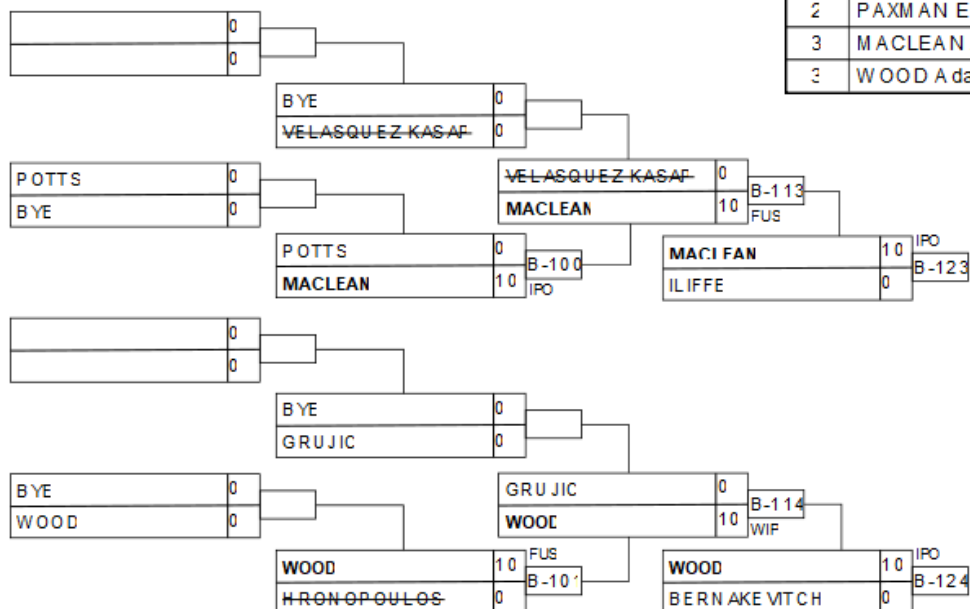
Pos	Name/Nom

SM Novice -100 kg



Results/Résultats

Pos	Name/Nom
1	TURNER Richard, AB
2	PAXMAN Eric, AB
3	MACLEAN Anthony, AB
3	WOOD Adam, AB



SM Novice -60 kg

Competitors/Compétiteurs

#	Name/Nom	Club	1	2	1	2	1	2	W/G	Pts	Pos
1	HAYNE Ethan	BC	XX	10	XX	10	XX		2	20	1
2	RZAYEV Nurlan	AB		XX		XX		XX	0	0	2

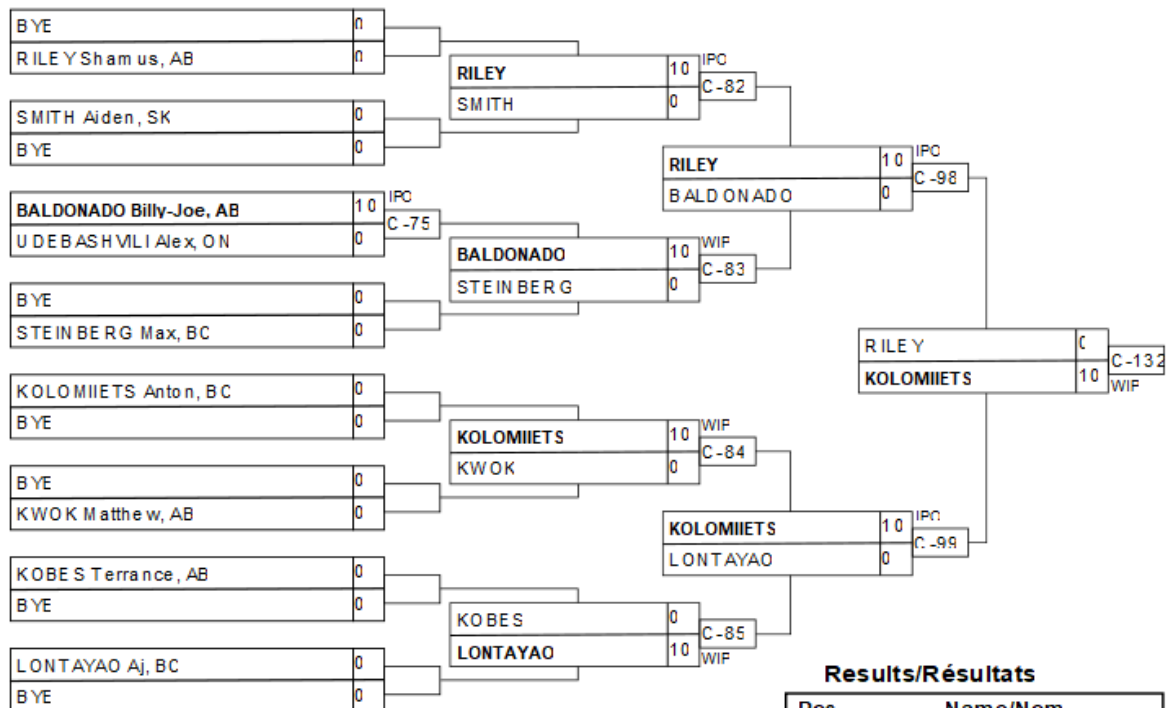
Matches/Matches

Match	White/Blanc			Blue/Bleu	Res/Rés	Tim/Tmp	Code
A-101	HAYNE Ethan	1	2	RZAYEV Nurlan	10 - 0	0:14	IPO
A-111	RZAYEV Nurlan	2	1	HAYNE Ethan	0 - 10	0:47	WIP
A-119	HAYNE Ethan	1	2	RZAYEV Nurlan			

Results/Résultats

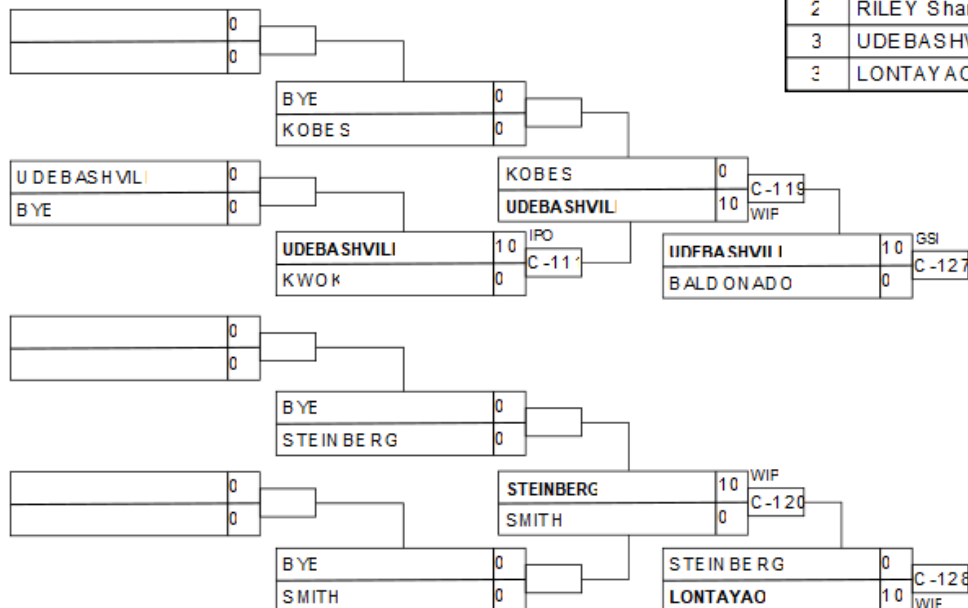
Pos	Name/Nom
1	HAYNE Ethan, BC

SM Novice -66 kg

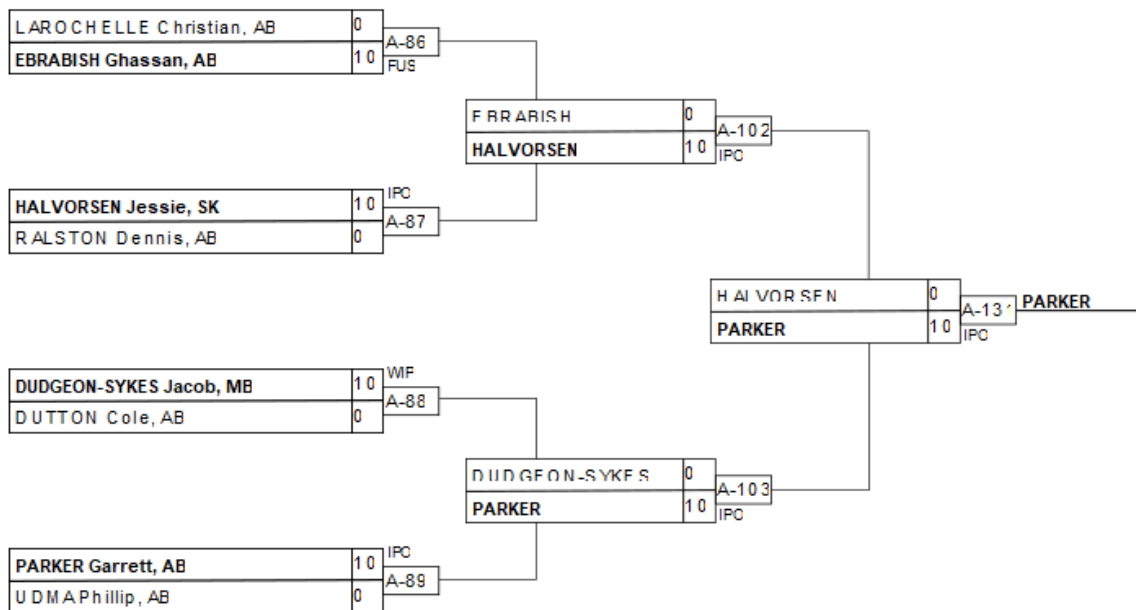


Results/Résultats

Pos	Name/Nom
1	KOLOMIETS Anton, BC
2	RILEY Shamus, AB
3	UDEBASHVILI Alex, ON
3	LONTAYAO Aj, BC

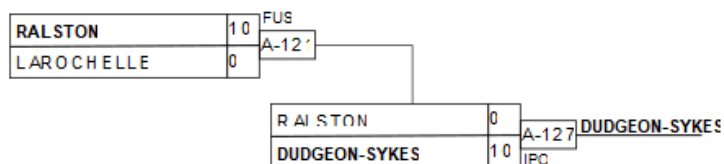
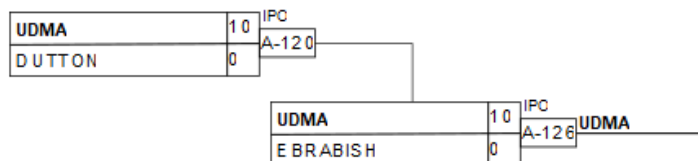


SM Novice -73 kg

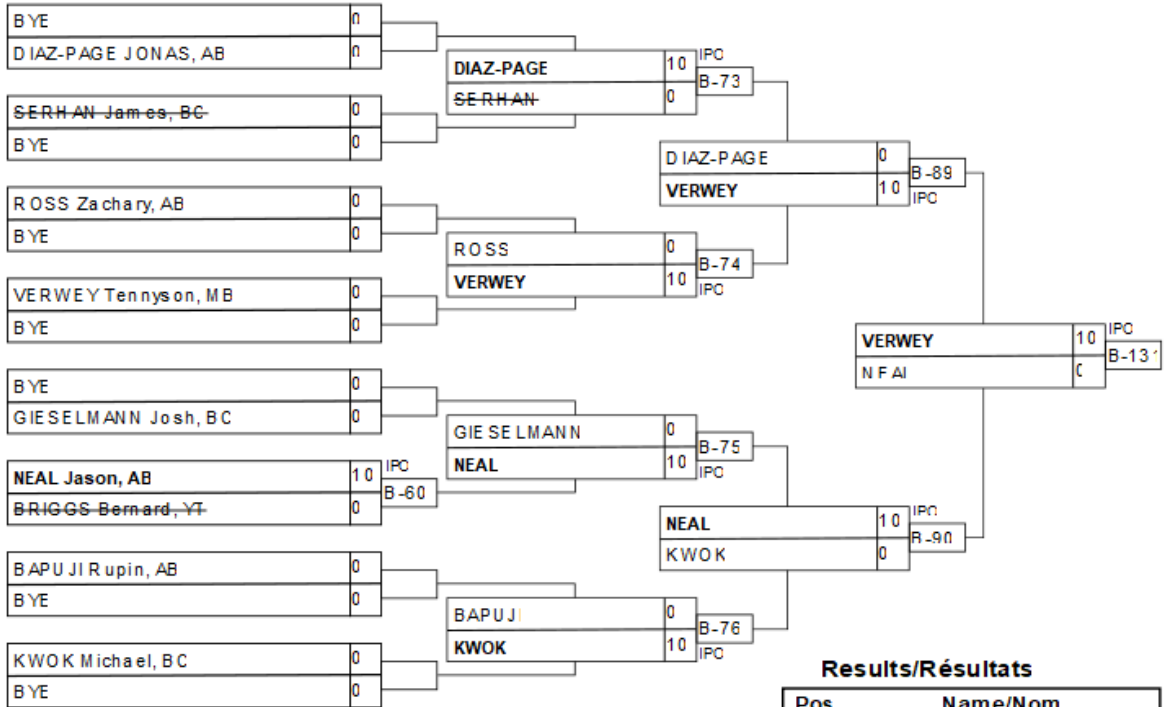


Results/Résultats

Pos	Name/Nom
1	PARKER Garrett, AB
2	HALVORSEN Jessie, SK
3	UDMA Phillip, AB
3	DUDGEON-SYKES Jacob, MB

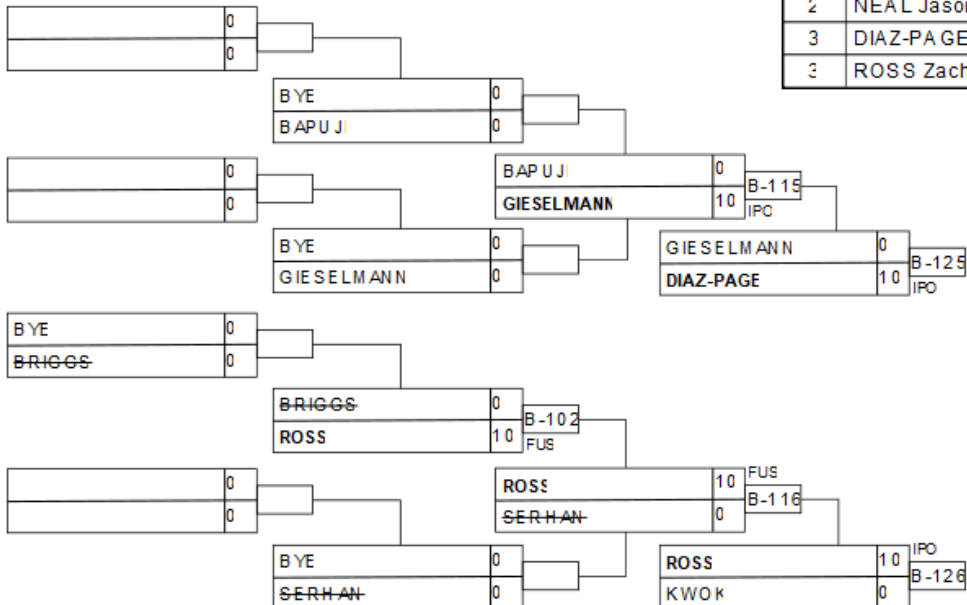


SM Novice -81 kg

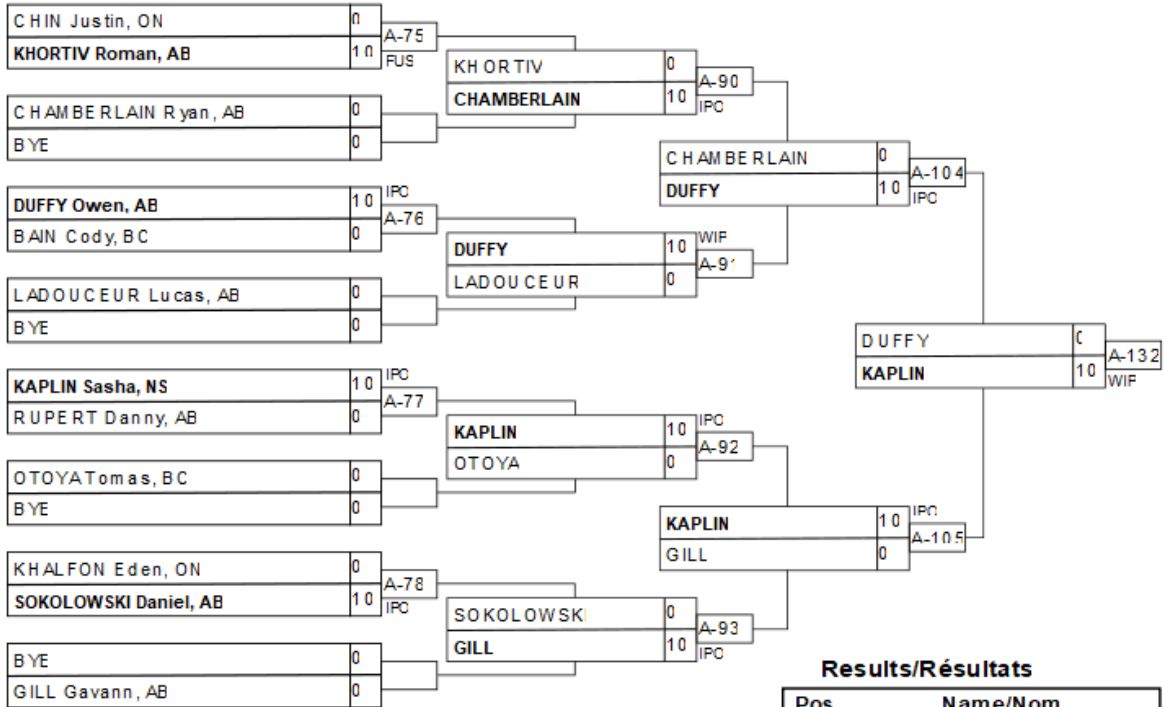


Results/Résultats

Pos	Name/Nom
1	VERWEY Tennyson, MB
2	NEAL Jason, AB
3	DIAZ-PAGE JONAS, AB
3	ROSS Zachary, AB

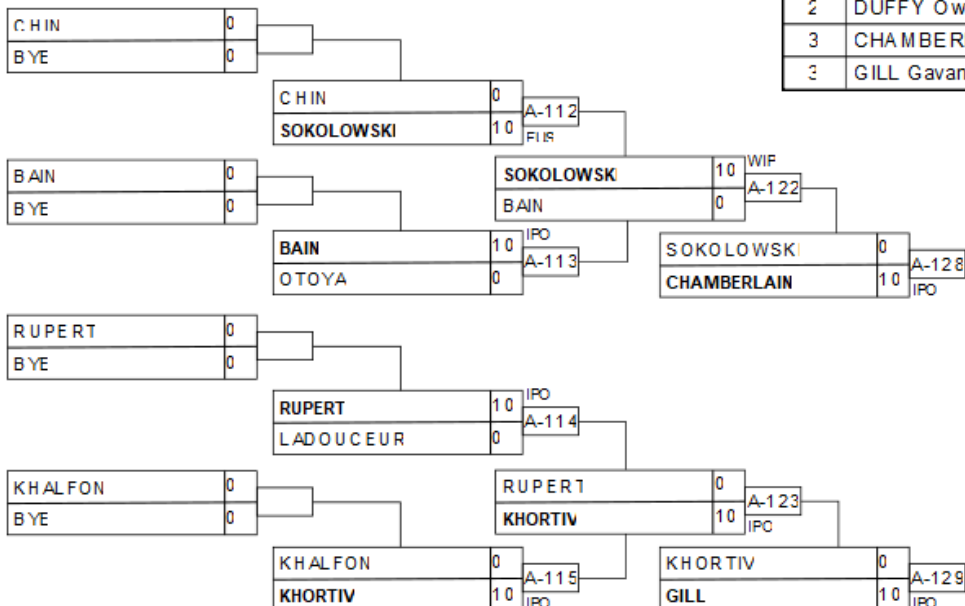


SM Novice -90 kg



Results/Résultats

Pos	Name/Nom
1	KAPLIN Sasha, NS
2	DUFFY Owen, AB
3	CHAMBERLAIN Ryan, AB
3	GILL Gavann, AB



SM Novice +100 kg

Competitors/Compétiteurs

#	Name/Nom	Club	1	2	3	4	5	W/G	Pts	Pos
1	AUSTMAN Greg	BC	XX	10			10	2	20	3
2	MACDONALD Timmy	AB		XX			10	1	10	4
3	JAFARI-MINAB Ravi	BC	10	10	XX	10		3	30	1
4	ADAMS Jordan	AB	10	10		XX	10	3	30	2
5	MORELAND Drake	AB			10		XX	1	10	5

Matches/Matches

Match	White/Blanc			Blue/Bleu	Res/Rés	Tim/Tmp	Code
D-80	ADAMS Jordan	4	5	MORELAND Drake	10 - 0	1:50	WIP
D-81	AUSTMAN Greg	1	2	MACDONALD Timmy	10 - 0	0:56	IPO
D-85	JAFARI-MINAB Ravi	3	4	ADAMS Jordan	10 - 0	1:03	IPO
D-86	AUSTMAN Greg	1	5	MORELAND Drake	10 - 0	1:02	WIP
D-96	MACDONALD Timmy	2	3	JAFARI-MINAB Ravi	0 - 10	0:51	WIP
D-97	AUSTMAN Greg	1	4	ADAMS Jordan	0 - 10	0:15	IPO
D-111	JAFARI-MINAB Ravi	3	5	MORELAND Drake	0 - 10	0:56	IPO
D-112	MACDONALD Timmy	2	4	ADAMS Jordan	0 - 10	0:24	IPO
D-122	AUSTMAN Greg	1	3	JAFARI-MINAB Ravi	0 - 10	1:08	IPO
D-123	MACDONALD Timmy	2	5	MORELAND Drake	10 - 0	0:34	IPO

Results/Résultats

Pos	Name/Nom
1	JAFARI-MINAB Ravi, BC
2	ADAMS Jordan, AB
3	AUSTMAN Greg, BC
4	MACDONALD Timmy, AB
5	MORELAND Drake, AB

U16F -40 kg

Competitors/Compétiteurs

#	Name/Nom	Club	1	2	1	2	1	2	W/G	Pts	Pos
1	WALSH Lily	BC	XX		XX		XX		0	0	2
2	COVASER Vanessa	BC	10	XX	10	XX		XX	2	20	1

Matches/Matches

Match	White/Blanc			Blue/Bleu	Res/Rés	Tim/Tmp	Code
B-35	WALSH Lily	1	2	COVASER Vanessa	0 - 10	0:23	IPO
B-41	COVASER Vanessa	2	1	WALSH Lily	10 - 0	1:32	WIP
B-47	WALSH Lily	1	2	COVASER Vanessa			

Results/Résultats

Pos	Name/Nom
1	COVASER Vanessa, BC

U16F -44 kg

Competitors/Compétiteurs A

#	Name/Nom	Club	1	2	3	W/G	Pts	Pos
1	AU Megan	BC	XX	10		1	10	2
2	PARADIS Miya	AB		XX		0	0	3
3	MANIBOG Malia	Other	10	10	XX	2	20	1

Pool A

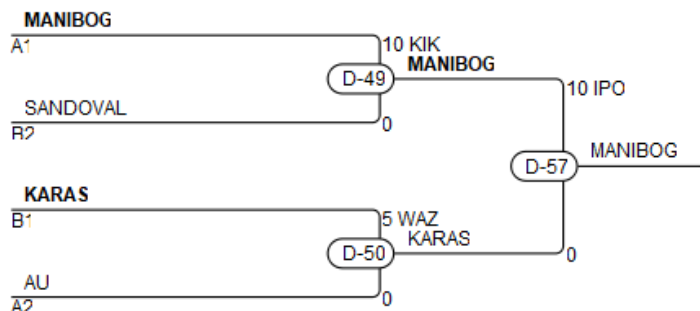
Match	White/Blanc		Blue/Bleu	Res/Rés	Tim/Tmp	Code	
D-10	AU Megan	1	2	PARADIS Miya	10 - 0	1:05	IPO
D-24	AU Megan	1	3	MANIBOG Malia	0 - 10	1:01	IPO
D-35	PARADIS Miya	2	3	MANIBOG Malia	0 - 10	0:04	IPO

Competitors/Compétiteurs B

#	Name/Nom	Club	4	5	6	W/G	Pts	Pos
4	ANTOSH Megan	BC	XX			0	0	3
5	KARAS Christina	AB	10	XX	10	2	20	1
6	SANDOVAL Kaitlyn	BC	10		XX	1	10	2

Pool B

Match	White/Blanc		Blue/Bleu	Res/Rés	Tim/Tmp	Code	
D-11	ANTOSH Megan	4	5	KARAS Christina	0 - 10	4:14	HAN
D-25	ANTOSH Megan	4	6	SANDOVAL Kaitlyn	0 - 10	0:20	IPO
D-36	KARAS Christina	5	6	SANDOVAL Kaitlyn	10 - 0	0:36	IPO



Results/Résultats

Pos	Name/Nom
1	MANIBOG Malia, Other
2	KARAS Christina, AB
3	SANDOVAL Kaitlyn, BC
3	AU Megan, BC

U16F -48 kg

Competitors/Compétiteurs

#	Name/Nom	Club	1	2	3	W/G	Pts	Pos
1	WHITTLE Gwen	BC	XX	10	5	2	15	1
2	KEIRSTEAD Wish	BC		XX		0	0	3
3	GROOTEN Maegan	BC		10	XX	1	10	2

Matches/Matches

Match	White/Blanc			Blue/Bleu	Res/Rés	Tim/Tmp	Code
A-19	WHITTLE Gwen	1	2	KEIRSTEAD Wish	10 - 0	0:37	IPO
A-30	WHITTLE Gwen	1	3	GROOTEN Maegan	5 - 0	4:16	GSW
A-42	KEIRSTEAD Wish	2	3	GROOTEN Maegan	0 - 10	1:20	IPO

Results/Résultats

Pos	Name/Nom
1	WHITTLE Gwen, BC
2	GROOTEN Maegan, BC

U16F -52 kg

Competitors/Compétiteurs A

#	Name/Nom	Club	1	2	3	4	W/G	Pts	Pos
1	GESA Dilana	ON	XX	10	10	10	3	30	1
2	HEBER Camila	AB		XX	10	10	2	20	2
3	LEVEILLE Kaya	MB			XX		0	0	4
4	ORTIZ Manuela	QC			10	XX	1	10	3

Pool A

Match	White/Blanc	Blue/Bleu	Res/Rés	Tim/Tmp	Code
D-16	GESA Dilana 1 2	HEBER Camila	10 - 0	0:34	WIP
D-17	LEVEILLE Kaya 3 4	ORTIZ Manuela	0 - 10	0:09	IPO
D-29	GESA Dilana 1 3	LEVEILLE Kaya	10 - 0	0:44	WIP
D-30	HEBER Camila 2 4	ORTIZ Manuela	10 - 0	2:22	IPO
D-41	GESA Dilana 1 4	ORTIZ Manuela	10 - 0	2:02	WIP
D-42	HEBER Camila 2 3	LEVEILLE Kaya	10 - 0	0:12	IPO

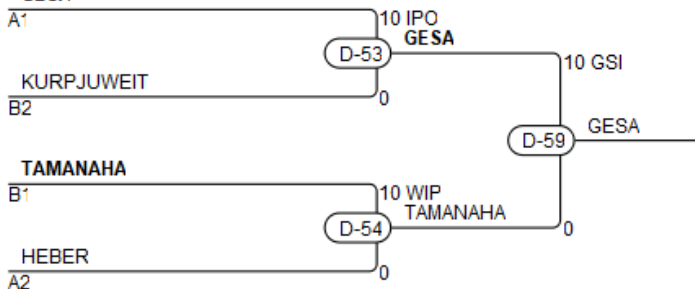
Competitors/Compétiteurs B

#	Name/Nom	Club	5	6	7	W/G	Pts	Pos
5	TAMANAHA Waverly	Other	XX	10	10	2	20	1
6	MORASCH Finley	AB		XX		0	0	3
7	KURPJUWEIT Emereese	AB		10	XX	1	10	2

Pool B

Match	White/Blanc	Blue/Bleu	Res/Rés	Tim/Tmp	Code
D-18	TAMANAHA Waverly 5 6	MORASCH Finley	10 - 0	1:34	WIP
D-31	TAMANAHA Waverly 5 7	KURPJUWEIT Emereese	10 - 0	1:43	IPO
D-43	MORASCH Finley 6 7	KURPJUWEIT Emereese	0 - 10	0:39	WIP

GESA



Results/Résultats

Pos	Name/Nom
1	GESA Dilana, ON
2	TAMANAHA Waverly, Other
3	KURPJUWEIT Emereese, AB
3	HEBER Camila, AB

U16F -57 kg

Competitors/Compétiteurs A

#	Name/Nom	Club	1	2	3	4	W/G	Pts	Pos
1	HINCHEY Lia	YT	XX				0	0	4
2	JONES Nevada	BC	10	XX	10		2	20	1
3	SUMMERS Victoria	ON	10		XX	10	2	20	2
4	DAVIS Grace	Other	10	5		XX	2	15	3

Pool A

Match	White/Blanc	Blue/Bleu	Res/Rés	Tim/Tmp	Code
A-16	HINCHEY Lia 1 2	JONES Nevada	0 - 10	0:37	IPO
A-17	SUMMERS Victoria 3 4	DAVIS Grace	10 - 0	1:24	IPO
A-27	HINCHEY Lia 1 3	SUMMERS Victoria	0 - 10	2:46	IPO
A-28	JONES Nevada 2 4	DAVIS Grace	0 - 5	3:00	WAZ
A-39	HINCHEY Lia 1 4	DAVIS Grace	0 - 10	1:57	IPO
A-40	JONES Nevada 2 3	SUMMERS Victoria	10 - 0	2:07	WIP

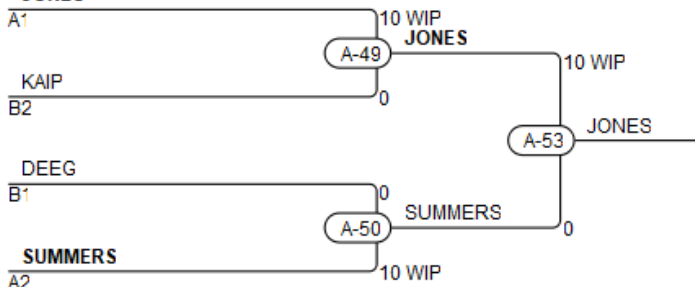
Competitors/Compétiteurs B

#	Name/Nom	Club	5	6	7	W/G	Pts	Pos
5	KAIP Sahara	SK	XX		10	1	10	2
6	DEEG Annaka	AB	10	XX	10	2	20	1
7	MACKENZIE Georgia	BC			XX	0	0	3

Pool B

Match	White/Blanc	Blue/Bleu	Res/Rés	Tim/Tmp	Code
A-18	KAIP Sahara 5 6	DEEG Annaka	0 - 10	0:28	WIP
A-29	KAIP Sahara 5 7	MACKENZIE Georgia	10 - 0	0:27	IPO
A-41	DEEG Annaka 6 7	MACKENZIE Georgia	10 - 0	0:33	IPO

JONES



Results/Résultats

Pos	Name/Nom
1	JONES Nevada, BC
2	SUMMERS Victoria, ON
3	KAIP Sahara, SK
3	DEEG Annaka, AB

U16F -63 kg

Competitors/Compétiteurs A

#	Name/Nom	Club	1	2	3	W/G	Pts	Pos
1	MICHALUK Annika	BC	XX	10	10	2	20	1
2	MACLEOD Hailey	BC		XX	10	1	10	2
3	LOSINSKA Wiktoria	SK			XX	0	0	3

Pool A

Match	White/Blanc		Blue/Bleu	Res/Rés	Tim/Tmp	Code	
A-14	MICHALUK Annika	1	2	MACLEOD Hailey	10 - 0	0:57	IPO
A-25	MICHALUK Annika	1	3	LOSINSKA Wiktoria	10 - 0	0:23	WIP
A-37	MACLEOD Hailey	2	3	LOSINSKA Wiktoria	10 - 0	0:33	WIP

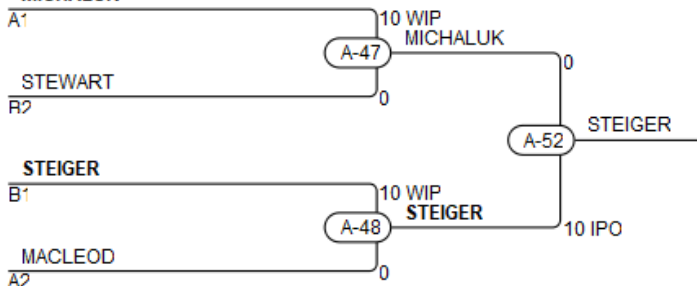
Competitors/Compétiteurs B

#	Name/Nom	Club	4	5	6	W/G	Pts	Pos
4	STEWART McKenna	MB	XX	10		1	10	2
5	PUSHKIN Aurora	BC		XX		0	0	3
6	STEIGER Alandra	BC	10	10	XX	2	20	1

Pool B

Match	White/Blanc		Blue/Bleu	Res/Rés	Tim/Tmp	Code	
A-15	STEWART McKenna	4	5	PUSHKIN Aurora	10 - 0	0:42	WIP
A-26	STEWART McKenna	4	6	STEIGER Alandra	0 - 10	2:53	IPO
A-38	PUSHKIN Aurora	5	6	STEIGER Alandra	0 - 10	1:21	WIP

MICHALUK



Results/Résultats

Pos	Name/Nom
1	STEIGER Alandra, BC
2	MICHALUK Annika, BC
3	STEWART McKenna, MB
3	MACLEOD Hailey, BC

U16F -70 kg

Competitors/Compétiteurs

#	Name/Nom	Club	1	2	3	4	W/G	Pts	Pos
1	ALIYEVA Emiliya	AB	XX	10	5	10	3	25	1
2	HOOVER Grace	AB		XX			0	0	4
3	SMITH Abigail	NS		10	XX	10	2	20	2
4	JOLICOEUR Haylee	ON		10		XX	1	10	3

Matches/Matches

Match	White/Blanc			Blue/Bleu	Res/Rés	Tim/Tmp	Code
A-12	ALIYEVA Emiliya	1	2	HOOVER Grace	10 - 0	1:13	IPO
A-13	SMITH Abigail	3	4	JOLICOEUR Haylee	10 - 0	0:00	IPO
A-23	ALIYEVA Emiliya	1	3	SMITH Abigail	5 - 0	3:00	WAZ
A-24	HOOVER Grace	2	4	JOLICOEUR Haylee	0 - 10	1:32	IPO
A-35	ALIYEVA Emiliya	1	4	JOLICOEUR Haylee	10 - 0	3:00	WIP
A-36	HOOVER Grace	2	3	SMITH Abigail	0 - 10	0:11	IPO

Results/Résultats

Pos	Name/Nom
1	ALIYEVA Emiliya, AB
2	SMITH Abigail, NS
3	JOLICOEUR Haylee, ON

U16F Novice -52 kg

Competitors/Compétiteurs

#	Name/Nom	Club	1	2	3	4	W/G	Pts	Pos
1	CHIASSON MARTYNOOK Katelyn	SK	XX				0	0	4
2	LEE-NEUMAN Nova	SK	10	XX			1	10	3
3	GORDON Louisa	AB	10	10	XX		2	20	2
4	WOODS Kenzie	SK	10	10	10	XX	3	30	1

Matches/Matches

Match	White/Blanc			Blue/Bleu	Res/Rés	Tim/Tmp	Code
D-22	CHIASSON MARTYNOOK Katelyn	1	2	LEE-NEUMAN Nova	0 - 10	1:04	WIP
D-23	GORDON Louisa	3	4	WOODS Kenzie	0 - 10	1:09	IPO
D-33	CHIASSON MARTYNOOK Katelyn	1	3	GORDON Louisa	0 - 10	1:31	WIP
D-34	LEE-NEUMAN Nova	2	4	WOODS Kenzie	0 - 10	0:16	IPO
D-47	CHIASSON MARTYNOOK Katelyn	1	4	WOODS Kenzie	0 - 10	2:08	WIP
D-48	LEE-NEUMAN Nova	2	3	GORDON Louisa	0 - 10	1:16	WIP

Results/Résultats

Pos	Name/Nom
1	WOODS Kenzie, SK
2	GORDON Louisa, AB
3	LEE-NEUMAN Nova, SK

U16F Novice -63 kg

Competitors/Compétiteurs

#	Name/Nom	Club	1	2	3	4	W/G	Pts	Pos
1	CLARK Caley	BC	XX				0	0	4
2	MOORE Elisha	BC	10	XX			1	10	3
3	AMIRKHANYAN Anahit	Other	10	10	XX	10	3	30	1
4	GORDON Gracie	AB	10	10		XX	2	20	2

Matches/Matches

Match	White/Blanc			Blue/Bleu	Res/Rés	Tim/Tmp	Code
C-29	CLARK Caley	1	2	MOORE Elisha	0 - 10	1:35	IPO
C-30	AMIRKHANYAN Anahit	3	4	GORDON Gracie	10 - 0	0:39	WIP
C-41	CLARK Caley	1	3	AMIRKHANYAN Anahit	0 - 10	1:24	WIP
C-42	MOORE Elisha	2	4	GORDON Gracie	0 - 10	1:29	WIP
C-51	CLARK Caley	1	4	GORDON Gracie	0 - 10	2:08	WIP
C-52	MOORE Elisha	2	3	AMIRKHANYAN Anahit	0 - 10	0:32	WIP

Results/Résultats

Pos	Name/Nom
1	AMIRKHANYAN Anahit, Other
2	GORDON Gracie, AB
3	MOORE Elisha, BC

U16M -38 kg

Competitors/Compétiteurs

#	Name/Nom	Club	1	2	3	4	W/G	Pts	Pos
1	TAMURA Grayson	AB	XX			10	1	10	3
2	BRIGGS Huxley	YT	10	XX		10	2	20	2
3	LE BRIS Ewen	BC	10	5	XX	10	3	25	1
4	KURASHVILI Giorgi	ON				XX	0	0	4

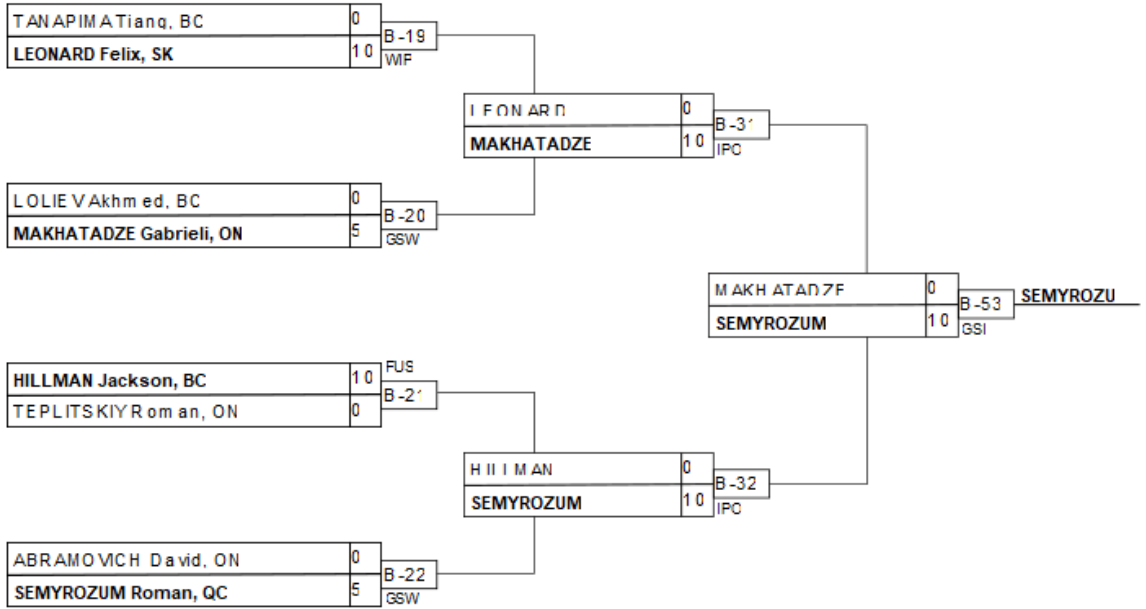
Matches/Matches

Match	White/Blanc			Blue/Bleu	Res/Rés	Tim/Tmp	Code
D-14	TAMURA Grayson	1	2	BRIGGS Huxley	0 - 10	1:50	WIP
D-15	LE BRIS Ewen	3	4	KURASHVILI Giorgi	10 - 0	0:34	DHM-HMD
D-27	TAMURA Grayson	1	3	LE BRIS Ewen	0 - 10	1:34	IPO
D-28	BRIGGS Huxley	2	4	KURASHVILI Giorgi	10 - 0	0:00	FUS
D-39	TAMURA Grayson	1	4	KURASHVILI Giorgi	10 - 0	0:00	FUS
D-40	BRIGGS Huxley	2	3	LE BRIS Ewen	0 - 5	3:00	WAZ

Results/Résultats

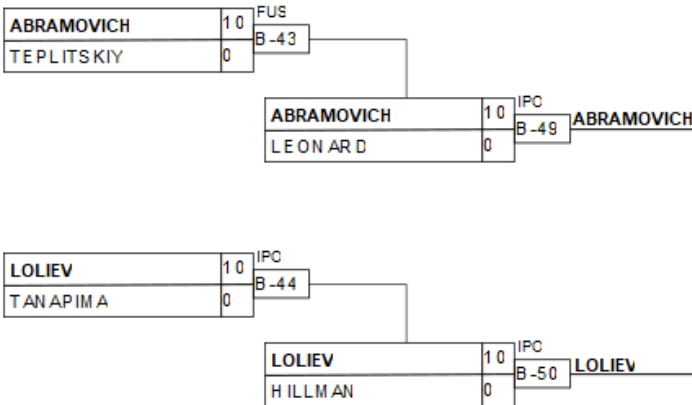
Pos	Name/Nom
1	LE BRIS Ewen, BC
2	BRIGGS Huxley, YT
3	TAMURA Grayson, AB

U16M -42 kg

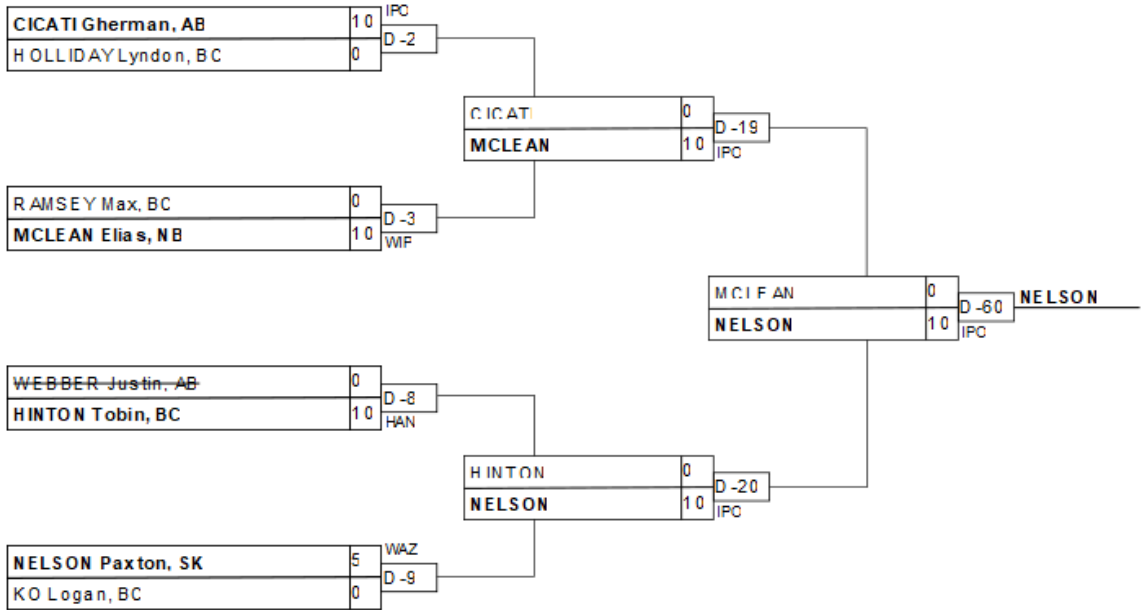


Results/Résultats

Pos	Name/Nom
1	SEMYROZUM Roman, QC
2	MAKHATADZE Gabrieli, ON
3	ABRAMOVICH David, ON
3	LOLIEV Akhmed, BC

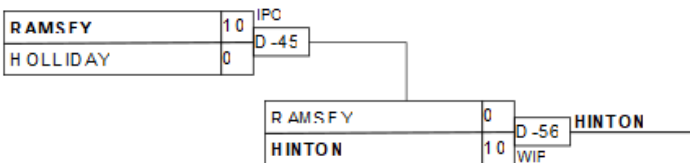
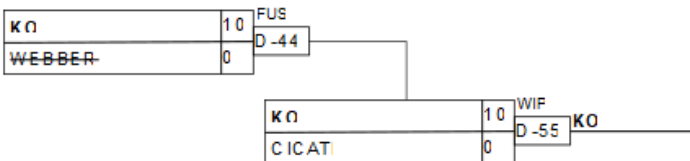


U16M -46 kg

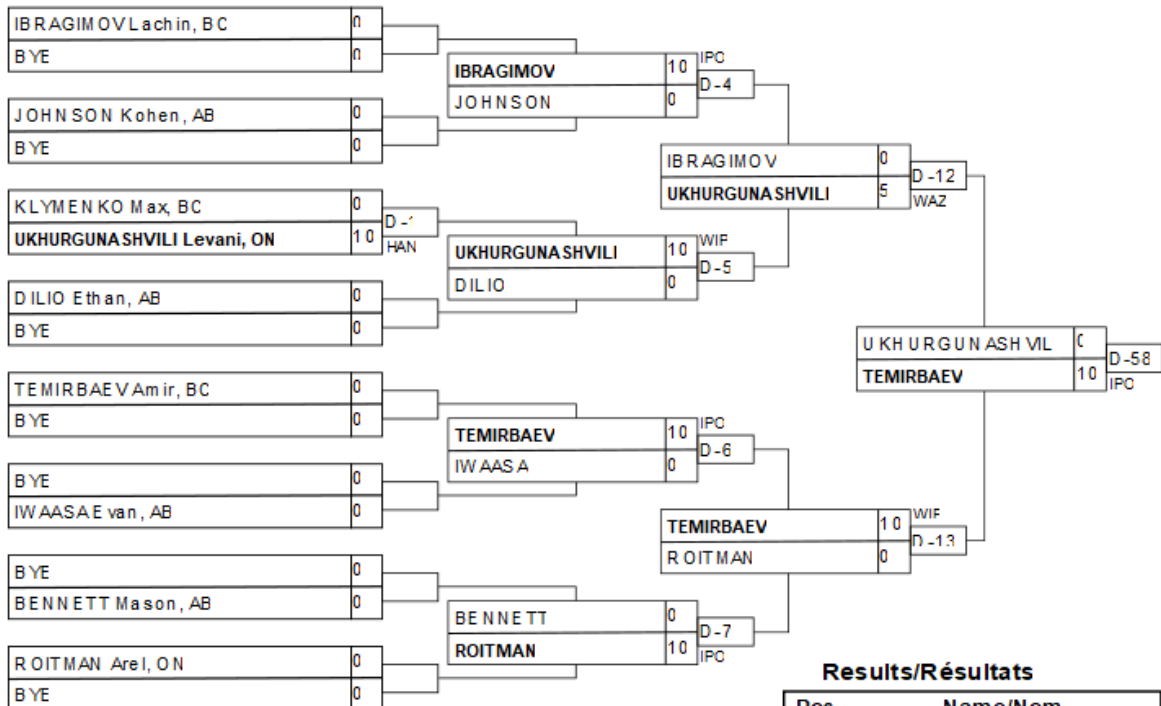


Results/Résultats

Pos	Name/Nom
1	NELSON Paxton, SK
2	M CLEAN Elias, NB
3	KO Logan, BC
3	HINTON Tobin, BC

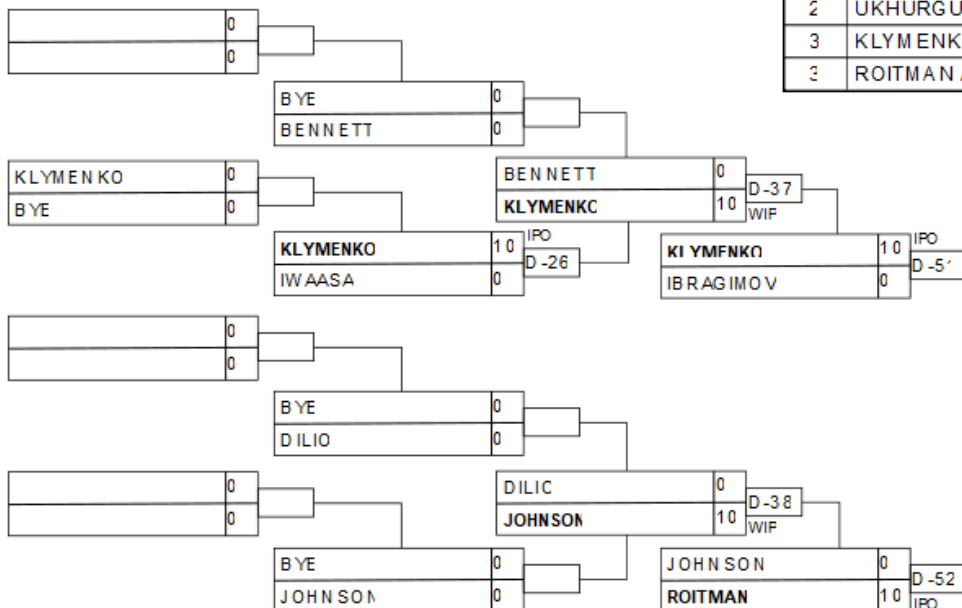


U16M -50 kg

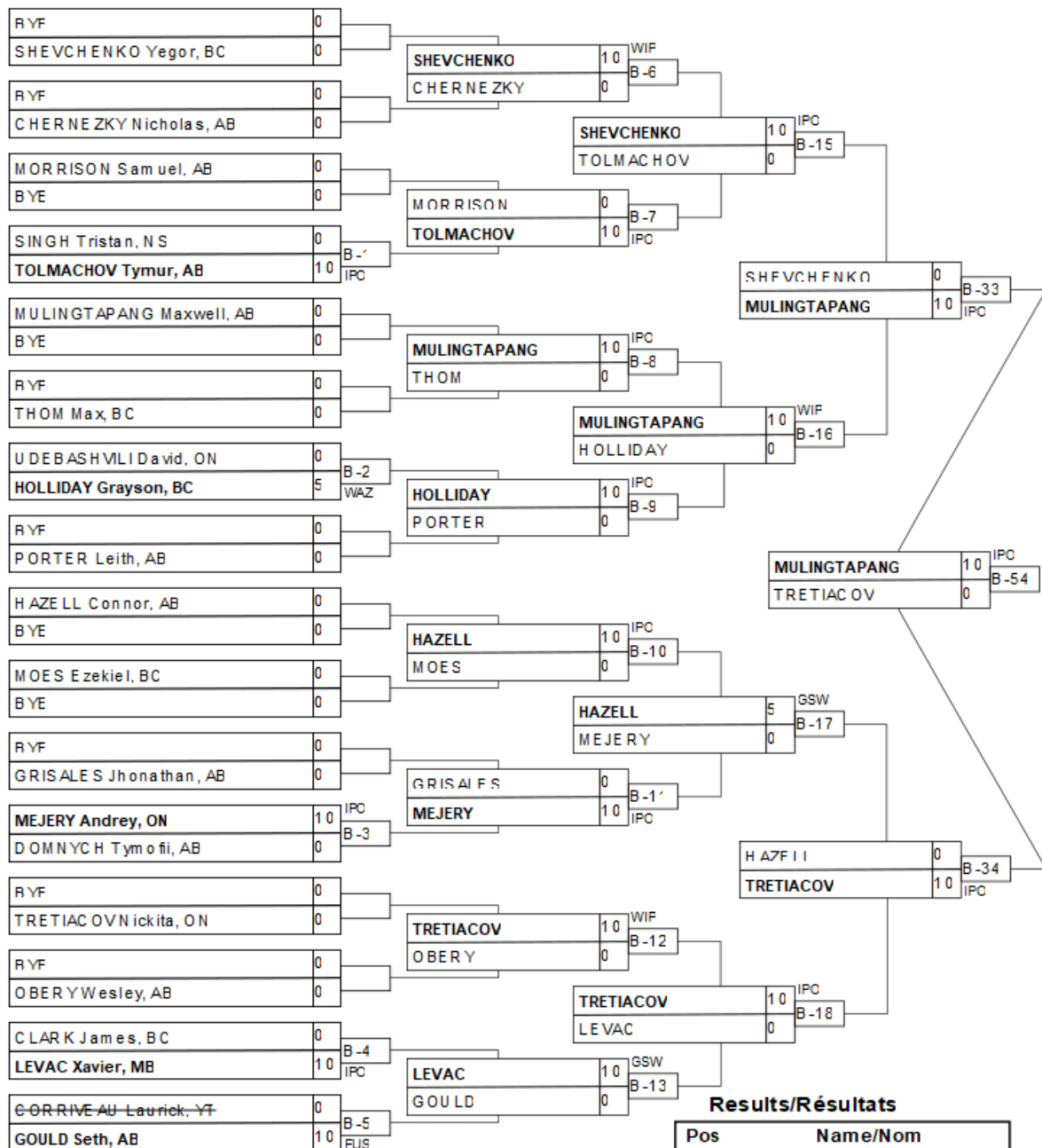


Results/Résultats

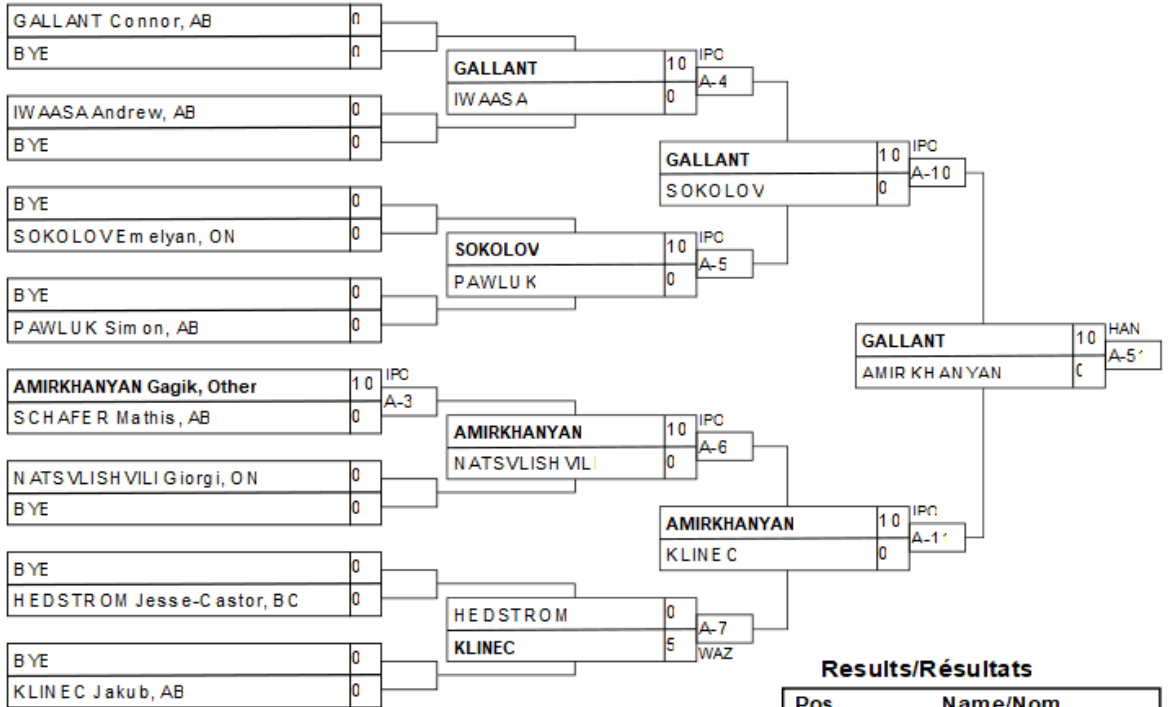
Pos	Name/Nom
1	TEMIRBAEV Amir, BC
2	UKHURGUNASHVILI Levani,
3	KLYMENKO Max, BC
3	ROITMAN Ariel, ON



U16M -55 kg

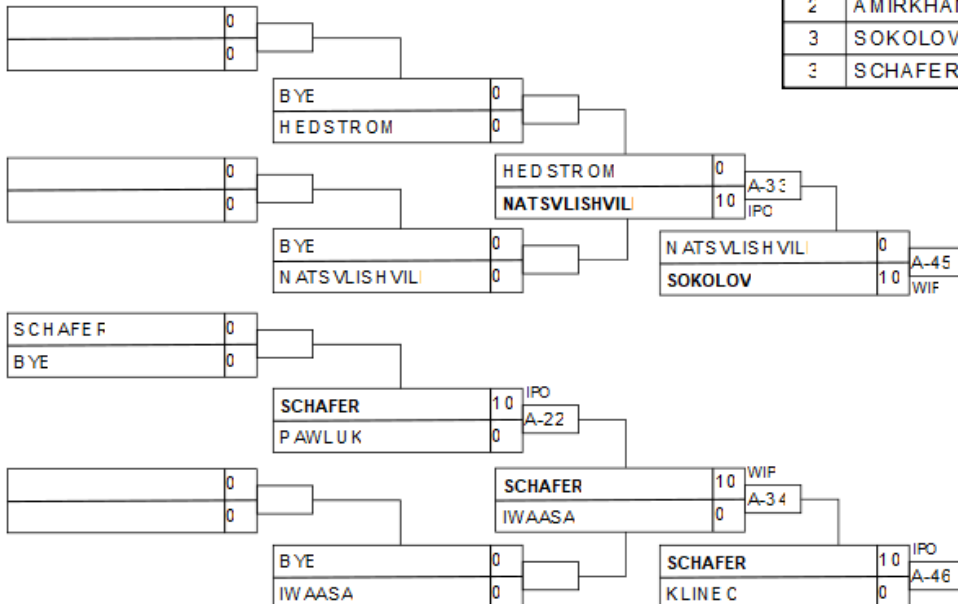


U16M -60 kg

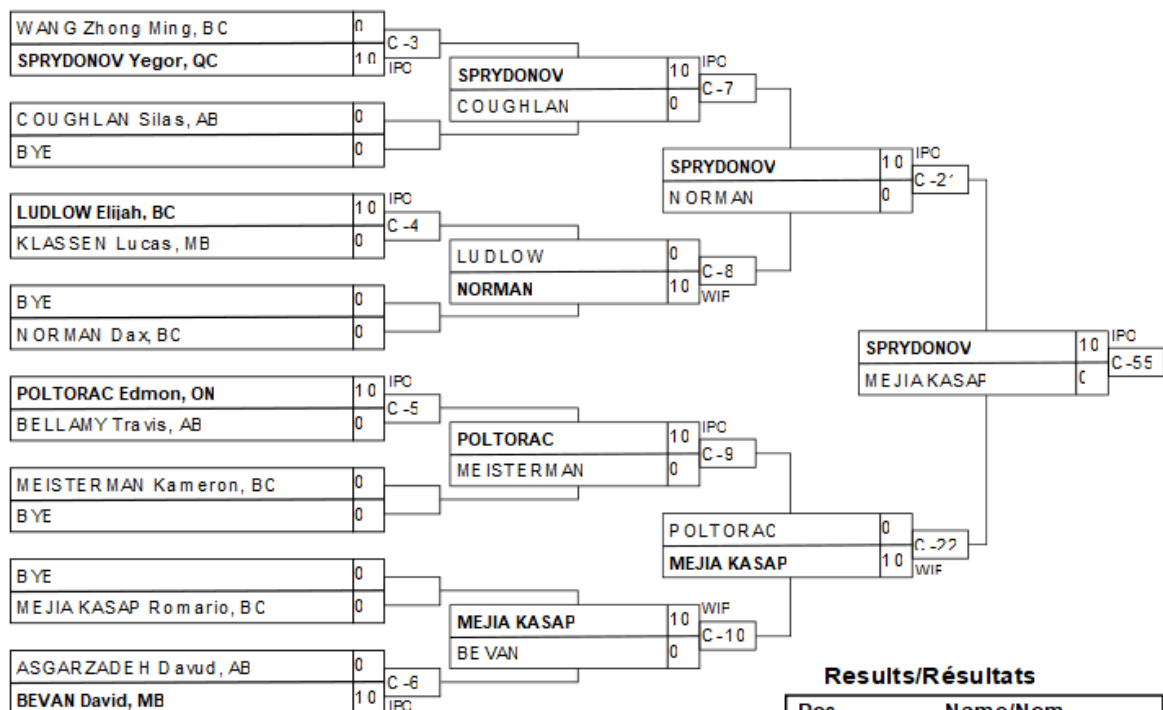


Results/Résultats

Pos	Name/Nom
1	GALLANT Connor, AB
2	AMIRKHANYAN Gagik, Other
3	SOKOLOV Emelyan, ON
3	SCHAFER Mathis, AB

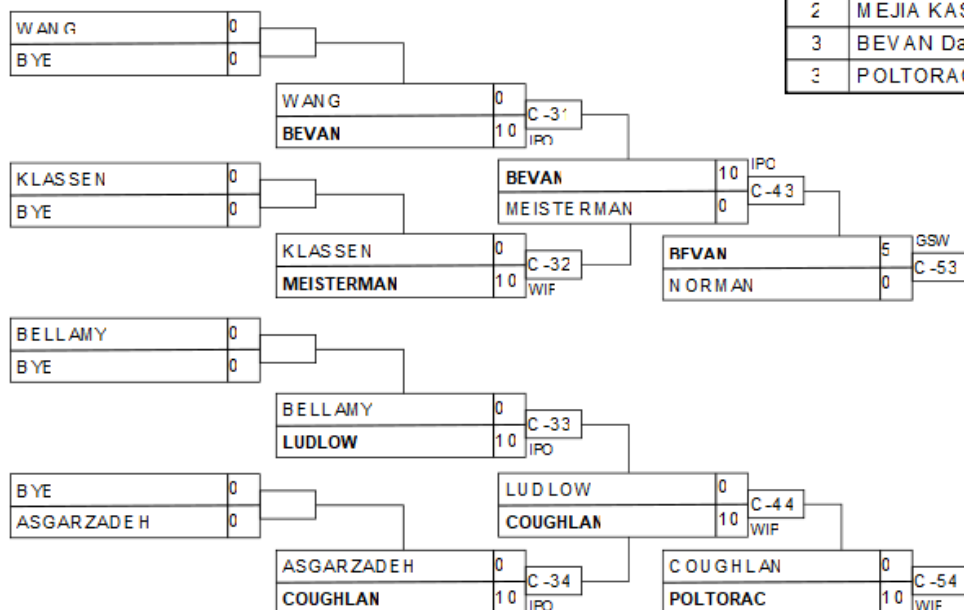


U16M -66 kg



Results/Résultats

Pos	Name/Nom
1	SPRYDONOV Yegor, QC
2	MEJIA KASAP Romario, BC
3	BEVAN David, MB
3	POLTORAC Edmon, ON



U16M -73 kg

Competitors/Compétiteurs

#	Name/Nom	Club	1	2	3	4	5	W/G	Pts	Pos
1	MCCHESENEY Rhys	AB	XX	10	10			2	20	3
2	EDMONDS Owen	MB		XX				0	0	5
3	TANAKA SVERZUT Diego	BC		10	XX			1	10	4
4	STERBA Rowen	AB	10	10	10	XX		3	30	2
5	GREGORY Drake	AB	10	10	10	10	XX	4	40	1

Matches/Matches

Match	White/Blanc			Blue/Bleu	Res/Rés	Tim/Tmp	Code
C-11	STERBA Rowen	4	5	GREGORY Drake	0 - 10	1:21	IPO
C-12	MCCHESENEY Rhys	1	2	EDMONDS Owen	10 - 0	1:32	IPO
C-17	TANAKA SVERZUT Diego	3	4	STERBA Rowen	0 - 10	1:02	IPO
C-18	MCCHESENEY Rhys	1	5	GREGORY Drake	0 - 10	0:17	IPO
C-25	EDMONDS Owen	2	3	TANAKA SVERZUT Diego	0 - 10	1:22	IPO
C-26	MCCHESENEY Rhys	1	4	STERBA Rowen	0 - 10	0:44	IPO
C-37	TANAKA SVERZUT Diego	3	5	GREGORY Drake	0 - 10	1:42	IPO
C-38	EDMONDS Owen	2	4	STERBA Rowen	0 - 10	0:07	IPO
C-47	MCCHESENEY Rhys	1	3	TANAKA SVERZUT Diego	10 - 0	2:04	IPO
C-48	EDMONDS Owen	2	5	GREGORY Drake	0 - 10	1:01	IPO

Results/Résultats

Pos	Name/Nom
1	GREGORY Drake, AB
2	STERBA Rowen, AB
3	MCCHESENEY Rhys, AB
4	TANAKA SVERZUT Diego, BC

U16M +73 kg

Competitors/Compétiteurs

#	Name/Nom	Club	1	2	3	4	5	W/G	Pts	Pos
1	HRYNIW Marcus	AB	XX				10	1	10	4
2	BATBAYAR Munkhu	AB	10	XX	10	10	10	4	40	1
3	SAYED AHMED Abdel Rahman	BC	10		XX		10	2	20	3
4	LUCAS Preston	SK	10		10	XX	10	3	30	2
5	SUBERLAK Ridley	SK					XX	0	0	5

Matches/Matches

Match	White/Blanc			Blue/Bleu	Res/Rés	Tim/Tmp	Code
C-1	LUCAS Preston	4	5	SUBERLAK Ridley	10 - 0	2:15	IPO
C-2	HRYNIW Marcus	1	2	BATBAYAR Munkhu	0 - 10	0:21	IPO
C-15	SAYED AHMED Abdel Rahman	3	4	LUCAS Preston	0 - 10	1:06	IPO
C-16	HRYNIW Marcus	1	5	SUBERLAK Ridley	10 - 0	1:30	HAN
C-23	BATBAYAR Munkhu	2	3	SAYED AHMED Abdel Rahman	10 - 0	0:30	IPO
C-24	HRYNIW Marcus	1	4	LUCAS Preston	0 - 10	0:09	IPO
C-35	SAYED AHMED Abdel Rahman	3	5	SUBERLAK Ridley	10 - 0	0:36	IPO
C-36	BATBAYAR Munkhu	2	4	LUCAS Preston	10 - 0	0:17	IPO
C-45	HRYNIW Marcus	1	3	SAYED AHMED Abdel Rahman	0 - 10	1:36	WIP
C-46	BATBAYAR Munkhu	2	5	SUBERLAK Ridley	10 - 0	0:17	IPO

Results/Résultats

Pos	Name/Nom
1	BATBAYAR Munkhu, AB
2	LUCAS Preston, SK
3	SAYED AHMED Abdel Rahman, BC
4	HRYNIW Marcus, AB

U16M Novice -50 kg

Competitors/Compétiteurs

#	Name/Nom	Club	1	2	3	4	5	W/G	Pts	Pos
1	SCHIMANN Yannick	BC	XX	10	10			2	20	3
2	LIGHTFOOT Ty	BC		XX	10			1	10	4
3	LAFLEUR William	AB			XX			0	0	5
4	PARK Kingston	BC	5	10	10	XX		3	25	2
5	XU Gideon	BC	10	10	10	10	XX	4	40	1

Matches/Matches

Match	White/Blanc			Blue/Bleu	Res/Rés	Tim/Tmp	Code
C-13	PARK Kingston	4	5	XU Gideon	0 - 10	1:44	WIP
C-14	SCHIMANN Yannick	1	2	LIGHTFOOT Ty	10 - 0	0:44	IPO
C-19	LAFLEUR William	3	4	PARK Kingston	0 - 10	0:23	IPO
C-20	SCHIMANN Yannick	1	5	XU Gideon	0 - 10	1:26	IPO
C-27	LIGHTFOOT Ty	2	3	LAFLEUR William	10 - 0	1:33	IPO
C-28	SCHIMANN Yannick	1	4	PARK Kingston	0 - 5	3:00	WAZ
C-39	LAFLEUR William	3	5	XU Gideon	0 - 10	0:26	IPO
C-40	LIGHTFOOT Ty	2	4	PARK Kingston	0 - 10	0:19	WIP
C-49	SCHIMANN Yannick	1	3	LAFLEUR William	10 - 0	0:31	IPO
C-50	LIGHTFOOT Ty	2	5	XU Gideon	0 - 10	0:12	IPO

Results/Résultats

Pos	Name/Nom
1	XU Gideon, BC
2	PARK Kingston, BC
3	SCHIMANN Yannick, BC
4	LIGHTFOOT Ty, BC

U16M Novice -55 kg

Competitors/Compétiteurs

#	Name/Nom	Club	1	2	3	4	W/G	Pts	Pos
1	MINHAS Sahil	BC	XX	10	10	10	3	30	1
2	GIESBRECHT Samuel	BC		XX	5	10	2	15	2
3	CORRIVEAU Laurick	YT			XX		0	0	4
4	MASSOP Niklas	AB			10	XX	1	10	3

Matches/Matches

Match	White/Blanc		Blue/Bleu	Res/Rés	Tim/Tmp	Code	
B-36	MINHAS Sahil	1	2	GIESBRECHT Samuel	10 - 0	0:58	IPO
B-36A	CORRIVEAU Laurick	3	4	MASSOP Niklas	0 - 10	0:32	WIP
B-42	MINHAS Sahil	1	3	CORRIVEAU Laurick	10 - 0	0:23	WIP
B-42A	GIESBRECHT Samuel	2	4	MASSOP Niklas	10 - 0	0:21	IPO
B-48	MINHAS Sahil	1	4	MASSOP Niklas	10 - 0	1:07	IPO
B-48A	GIESBRECHT Samuel	2	3	CORRIVEAU Laurick	5 - 0	3:08	GSW

Results/Résultats

Pos	Name/Nom
1	MINHAS Sahil, BC
2	GIESBRECHT Samuel, BC
3	MASSOP Niklas, AB

U16M Novice -60 kg

Competitors/Compétiteurs

#	Name/Nom	Club	1	2	3	4	5	W/G	Pts	Pos
1	LOJANG Benjamin	YT	XX	10		10	10	3	30	2
2	BELLENCOURT Nord	YT		XX		10	10	2	20	3
3	JACOBSON Hawkins	SK	10	10	XX	10	10	4	40	1
4	RALSTON Josiah	AB				XX		0	0	5
5	VILCHES Emilio	AB				10	XX	1	10	4

Matches/Matches

Match	White/Blanc			Blue/Bleu	Res/Rés	Tim/Tmp	Code
A-1	RALSTON Josiah	4	5	VILCHES Emilio	0 - 10	0:34	WIP
A-2	LOJANG Benjamin	1	2	BELLENCOURT Nord	10 - 0	0:38	IPO
A-8	JACOBSON Hawkins	3	4	RALSTON Josiah	10 - 0	0:35	IPO
A-9	LOJANG Benjamin	1	5	VILCHES Emilio	10 - 0	1:10	IPO
A-20	BELLENCOURT Nord	2	3	JACOBSON Hawkins	0 - 10	0:15	IPO
A-21	LOJANG Benjamin	1	4	RALSTON Josiah	10 - 0	0:14	IPO
A-31	JACOBSON Hawkins	3	5	VILCHES Emilio	10 - 0	0:51	WIP
A-32	BELLENCOURT Nord	2	4	RALSTON Josiah	10 - 0	0:12	IPO
A-43	LOJANG Benjamin	1	3	JACOBSON Hawkins	0 - 10	1:07	IPO
A-44	BELLENCOURT Nord	2	5	VILCHES Emilio	10 - 0	0:08	IPO

Results/Résultats

Pos	Name/Nom
1	JACOBSON Hawkins, SK
2	LOJANG Benjamin, YT
3	BELLENCOURT Nord, YT
4	VILCHES Emilio, AB

U16M Novice +73 kg

Competitors/Compétiteurs

#	Name/Nom	Club	1	2	1	2	1	2	W/G	Pts	Pos
1	SCANLON Kieran	MB	XX		XX	10	XX	10	2	20	1
2	MAPLE Dominik	BC	5	XX		XX		XX	1	5	2

Matches/Matches

Match	White/Blanc			Blue/Bleu	Res/Rés	Tim/Tmp	Code
D-21	SCANLON Kieran	1	2	MAPLE Dominik	0 - 5	3:00	WAZ
D-32	MAPLE Dominik	2	1	SCANLON Kieran	0 - 10	2:54	WIP
D-46	SCANLON Kieran	1	2	MAPLE Dominik	10 - 0	3:00	WIP

Results/Résultats

Pos	Name/Nom
1	SCANLON Kieran, MB
2	MAPLE Dominik, BC