

U21 +78

Competitors/Compétiteurs

#	Name/Nom	Grade	Club	1	W/G	Pts	Pos
1	DESBIENS Sara (98,90)	1k	QC/Ju Shin Kan	XX	0	0	1

Matches/Matches

Match	White/Blanc	Blue/Bleu	Res/Rés	Tim/Tmp	Code
-------	-------------	-----------	---------	---------	------

Results/Résultats

Pos	Name/Nom

U21F -48

Competitors/Compétiteurs

#	Name/Nom	Grade	Club	1	2	3	W/G	Pts	Pos
1	DA SILVA Quesia Leme (44,7)	1k	Bresil/Maua	XX	5	10	2	15	1
2	ROY Lea (46,70)	1d	QC/Asbestos-Danville		XX		0	0	3
3	KAMSTRA Kimiko (45,70)	1d	BC/Hart		10	XX	1	10	2

Matches/Matches

Match	White/Blanc			Blue/Bleu	Res/Rés	Tim/Tmp	Code
G-51	DA SILVA Quesia Leme	1	2	ROY Lea	5 - 0	4:00	WAZ
G-57	DA SILVA Quesia Leme	1	3	KAMSTRA Kimiko	10 - 0	2:16	WIP
G-63	ROY Lea	2	3	KAMSTRA Kimiko	0 - 10	2:10	WIP

Results/Résultats

Pos	Name/Nom
1	DA SILVA Quesia Leme, Bresil/Maua
2	KAMSTRA Kimiko, BC/Hart

U21F -52

Competitors/Compétiteurs A

#	Name/Nom	Grade	Club	1	2	3	W/G	Pts	Pos
1	ONISHI Tsubaki (51,80)	1k	NS/Bridgewater	XX			0	0	3
2	GRENIER Amelie (51,00)	1d	QC/Ju Shin Kan	10	XX	10	2	20	1
3	HINTON Launa (51,30)	1d	BC/Abbotsford	10		XX	1	10	2

Matches/Matches A

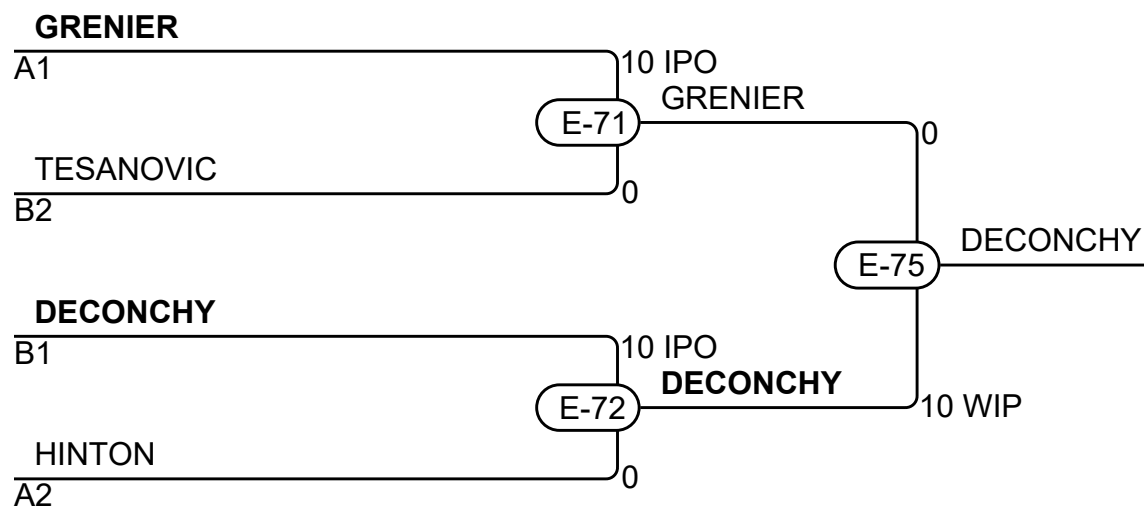
Match	White/Blanc	Blue/Bleu	Res/Rés	Tim/Tmp	Code
E-41	ONISHI Tsubaki 1 2	GRENIER Amelie	0 - 10	1:30	IPO
E-55	ONISHI Tsubaki 1 3	HINTON Launa	0 - 10	0:45	IPO
E-65	GRENIER Amelie 2 3	HINTON Launa	10 - 0	1:15	WIP

Competitors/Compétiteurs B

#	Name/Nom	Grade	Club	4	5	6	W/G	Pts	Pos
4	DECONCHY Mellie (51,60)	1d	France/PÃ´le Montpellier	XX	10	10	2	20	1
5	TESANOVIC Emilija Ema (49,	1d	AB/Ishi Yama		XX	10	1	10	2
6	MALOUM Sarah (52,00)	1d	QC/MÃ©tropolitain			XX	0	0	3

Matches/Matches B

Match	White/Blanc	Blue/Bleu	Res/Rés	Tim/Tmp	Code
E-42	DECONCHY Mellie 4 5	TESANOVIC Emilija Ema	10 - 0	4:52	HAN
E-56	DECONCHY Mellie 4 6	MALOUM Sarah	10 - 0	2:20	WIP
E-66	TESANOVIC Emilija Ema 5 6	MALOUM Sarah	10 - 0	1:54	IPO



Results/Résultats

Pos	Name/Nom
1	DECONCHY Mellie, France/PÃ´le Montpellier
2	GRENIER Amelie, QC/Ju Shin Kan
3	TESANOVIC Emilija Ema, AB/Ishi Yama
3	HINTON Launa, BC/Abbotsford

U21F -57

Competitors/Compétiteurs A

#	Name/Nom	Grade	Club	1	2	3	W/G	Pts	Pos
1	POLOWY Kelley (54,00)	2k	AB/Kodokwai	XX	10		1	10	2
2	MCCORKELL Sienna (55,20)	2k	BC/Mile Zero		XX		0	0	3
3	WESTLAKE Kiera (56,90)	1d	AB/Lethbridge	10	10	XX	2	20	1

Matches/Matches A

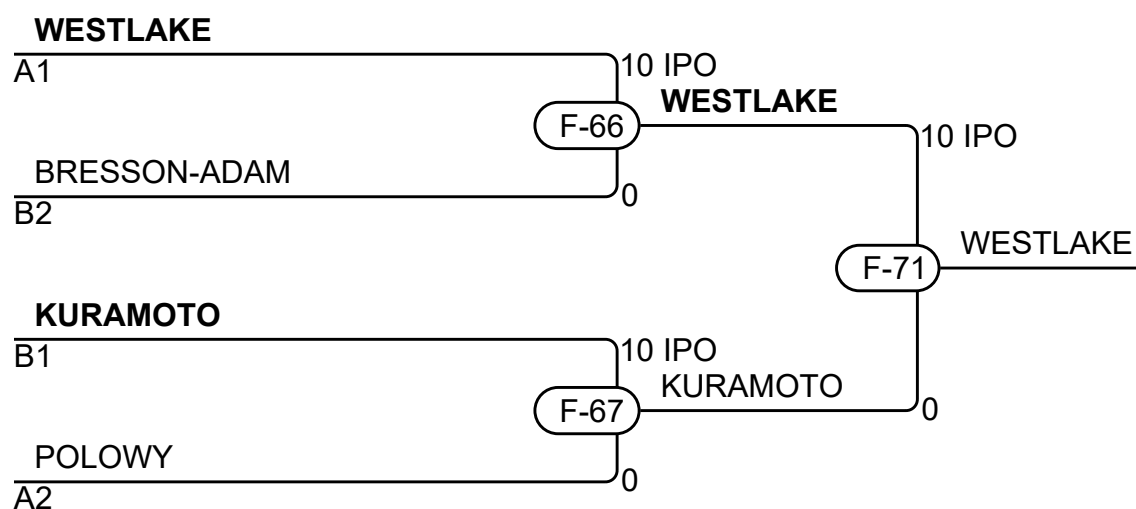
Match	White/Blanc	Blue/Bleu	Res/Rés	Tim/Tmp	Code
F-42	POLOWY Kelley	1 2 MCCORKELL Sienna	10 - 0	1:52	IPO
F-51	POLOWY Kelley	1 3 WESTLAKE Kiera	0 - 10	2:41	IPO
F-60	MCCORKELL Sienna	2 3 WESTLAKE Kiera	0 - 10	0:16	IPO

Competitors/Compétiteurs B

#	Name/Nom	Grade	Club	4	5	6	W/G	Pts	Pos
4	OUELLETTE Yzabelle (56,70)	1d	NB/Kimo	XX			0	0	3
5	BRESSON-ADAMS Seleena (56,	1k	AB/Lethbridge	10	XX		1	10	2
6	KURAMOTO Caleigh (56,70)	1d	BC/Steveston	10	10	XX	2	20	1

Matches/Matches B

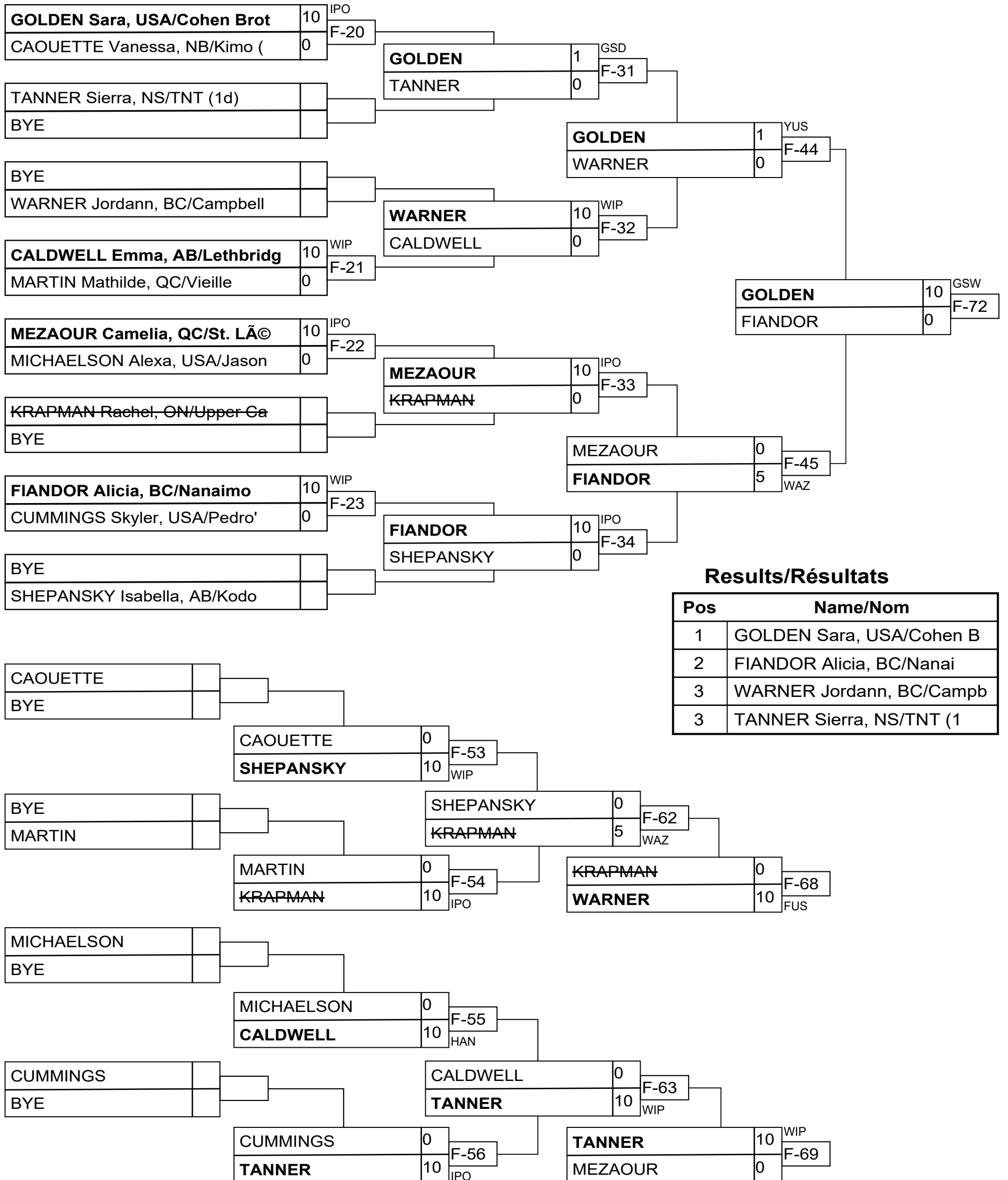
Match	White/Blanc	Blue/Bleu	Res/Rés	Tim/Tmp	Code
F-43	OUELLETTE Yzabelle	4 5 BRESSON-ADAMS Seleena	0 - 10	2:43	IPO
F-52	OUELLETTE Yzabelle	4 6 KURAMOTO Caleigh	0 - 10	0:48	WIP
F-61	BRESSON-ADAMS Seleena	5 6 KURAMOTO Caleigh	0 - 10	0:16	IPO



Results/Résultats

Pos	Name/Nom
1	WESTLAKE Kiera, AB/Lethbridge
2	KURAMOTO Caleigh, BC/Steveston
3	BRESSON-ADAMS Seleena, AB/Lethbridge
3	POLOWY Kelley, AB/Kodokwai

U21F -63



U21F -70

Competitors/Compétiteurs

#	Name/Nom	Grade	Club	1	2	3	4	5	W/G	Pts	Pos
1	SCHAFFEL Ariana (67,70)	2k	AB/Lethbridge	XX					0	0	5
2	LEFORT Alexandria (69,30)	1k	ON/Sheffield	10	XX	10	10		3	30	2
3	HUSSEY Keeley (69,00)	1k	NB/Kiyokan	10		XX			1	10	4
4	GRACIANI Ambar (64,20)	1k	USA/Tech Judo	10		10	XX		2	20	3
5	BOOTH Brae (70,00)	1d	BC/Creston	10	10	10	10	XX	4	40	1

Matches/Matches

Match	White/Blanc			Blue/Bleu	Res/Rés	Tim/Tmp	Code
E-25	GRACIANI Ambar	4	5	BOOTH Brae	0 - 10	1:46	IPO
E-26	SCHAFFEL Ariana	1	2	LEFORT Alexandria	0 - 10	0:27	IPO
E-31	HUSSEY Keeley	3	4	GRACIANI Ambar	0 - 10	0:35	WIP
E-32	SCHAFFEL Ariana	1	5	BOOTH Brae	0 - 10	0:43	IPO
E-37	LEFORT Alexandria	2	3	HUSSEY Keeley	10 - 0	1:22	IPO
E-38	SCHAFFEL Ariana	1	4	GRACIANI Ambar	0 - 10	0:19	IPO
E-51	HUSSEY Keeley	3	5	BOOTH Brae	0 - 10	0:24	IPO
E-52	LEFORT Alexandria	2	4	GRACIANI Ambar	10 - 0	1:34	IPO
E-61	SCHAFFEL Ariana	1	3	HUSSEY Keeley	0 - 10	0:07	IPO
E-62	LEFORT Alexandria	2	5	BOOTH Brae	0 - 10	3:26	WIP

Results/Résultats

Pos	Name/Nom
1	BOOTH Brae, BC/Creston
2	LEFORT Alexandria, ON/Sheffield
3	GRACIANI Ambar, USA/Tech Judo
4	HUSSEY Keeley, NB/Kiyokan

U21F -78

Competitors/Compétiteurs

#	Name/Nom	Grade	Club	1	2	3	W/G	Pts	Pos
1	SYNOTT Josie-Anne (77,50)	1d	QC/Sept-Iles	XX		5	1	5	2
2	GODBOUT Coralie (77,10)	1d	QC/Vieille Capitale	10	XX	10	2	20	1
3	DARLOW Annabelle (77,80)	1d	AB/Lethbridge			XX	0	0	3

Matches/Matches

Match	White/Blanc			Blue/Bleu	Res/Rés	Tim/Tmp	Code
G-52	SYNOTT Josie-Anne	1	2	GODBOUT Coralie	0 - 10	0:24	IPO
G-58	SYNOTT Josie-Anne	1	3	DARLOW Annabelle	5 - 0	4:00	WAZ
G-64	GODBOUT Coralie	2	3	DARLOW Annabelle	10 - 0	3:22	WIP

Results/Résultats

Pos	Name/Nom
1	GODBOUT Coralie, QC/Vieille Capitale
2	SYNOTT Josie-Anne, QC/Sept-Iles

U21M -100

Competitors/Compétiteurs

#	Name/Nom	Grade	Club	1	2	3	4	W/G	Pts	Pos
1	CHAMPAGNE Jerome (94,10)	1k	QC/Varenes	XX				0	0	4
2	RYDER Ian (91,90)	1d	BC/Steveston	10	XX			1	10	3
3	POPOV Simon (99,30)	1k	ON/Toronto Judo Kai	10	10	XX		2	20	2
4	PAVLOV Daniel (97,10)	1d	USA/Samir Judo	10	10	10	XX	3	30	1

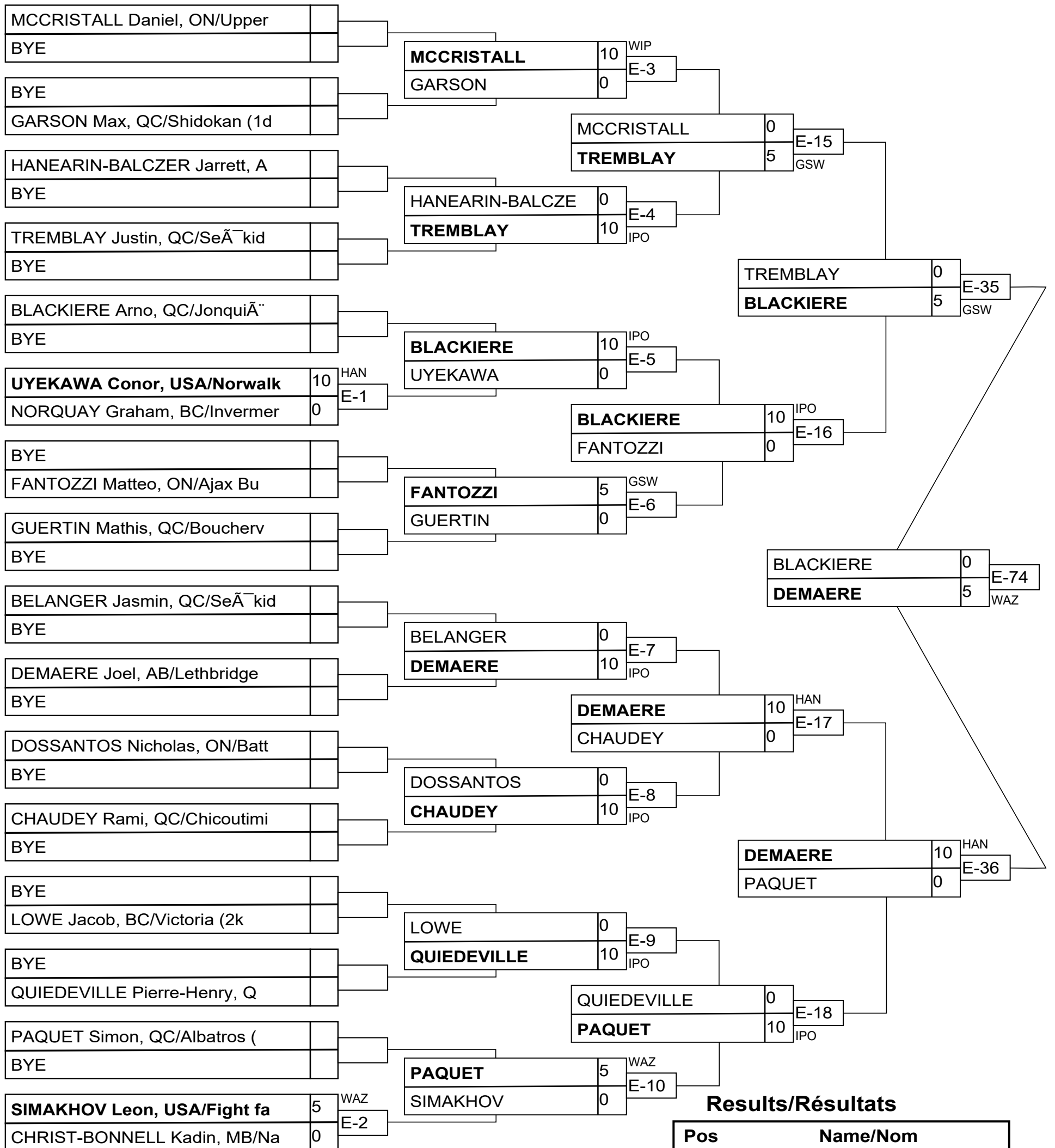
Matches/Matches

Match	White/Blanc			Blue/Bleu	Res/Rés	Tim/Tmp	Code
E-39	CHAMPAGNE Jerome	1	2	RYDER Ian	0 - 10	0:14	IPO
E-40	POPOV Simon	3	4	PAVLOV Daniel	0 - 10	0:36	WIP
E-53	CHAMPAGNE Jerome	1	3	POPOV Simon	0 - 10	10:34	GSW
E-54	RYDER Ian	2	4	PAVLOV Daniel	0 - 10	1:24	IPO
E-63	CHAMPAGNE Jerome	1	4	PAVLOV Daniel	0 - 10	0:18	IPO
E-64	RYDER Ian	2	3	POPOV Simon	0 - 10	0:00	FUS

Results/Résultats

Pos	Name/Nom
1	PAVLOV Daniel, USA/Samir Judo
2	POPOV Simon, ON/Toronto Judo Kai
3	RYDER Ian, BC/Steveston

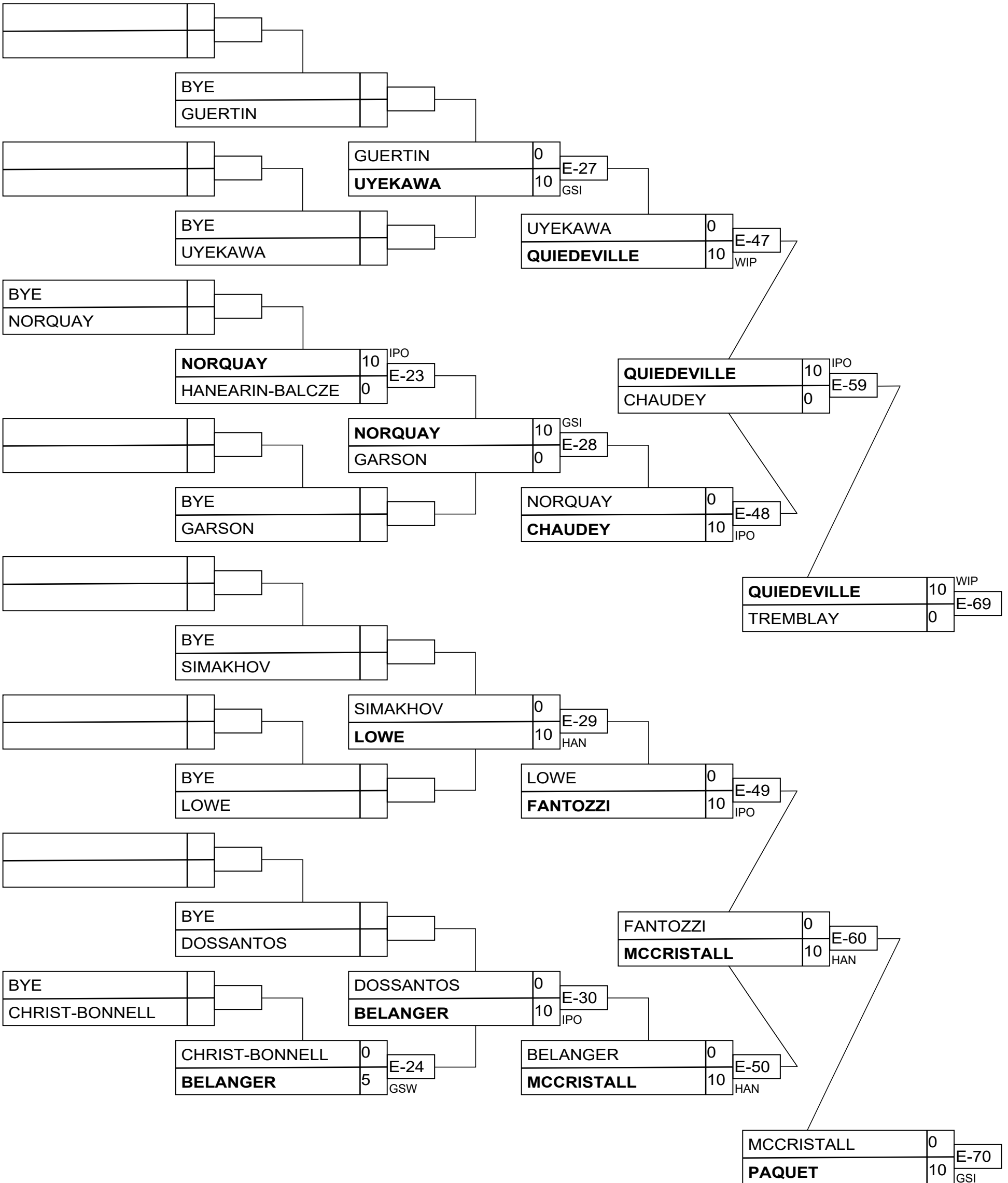
U21M -60



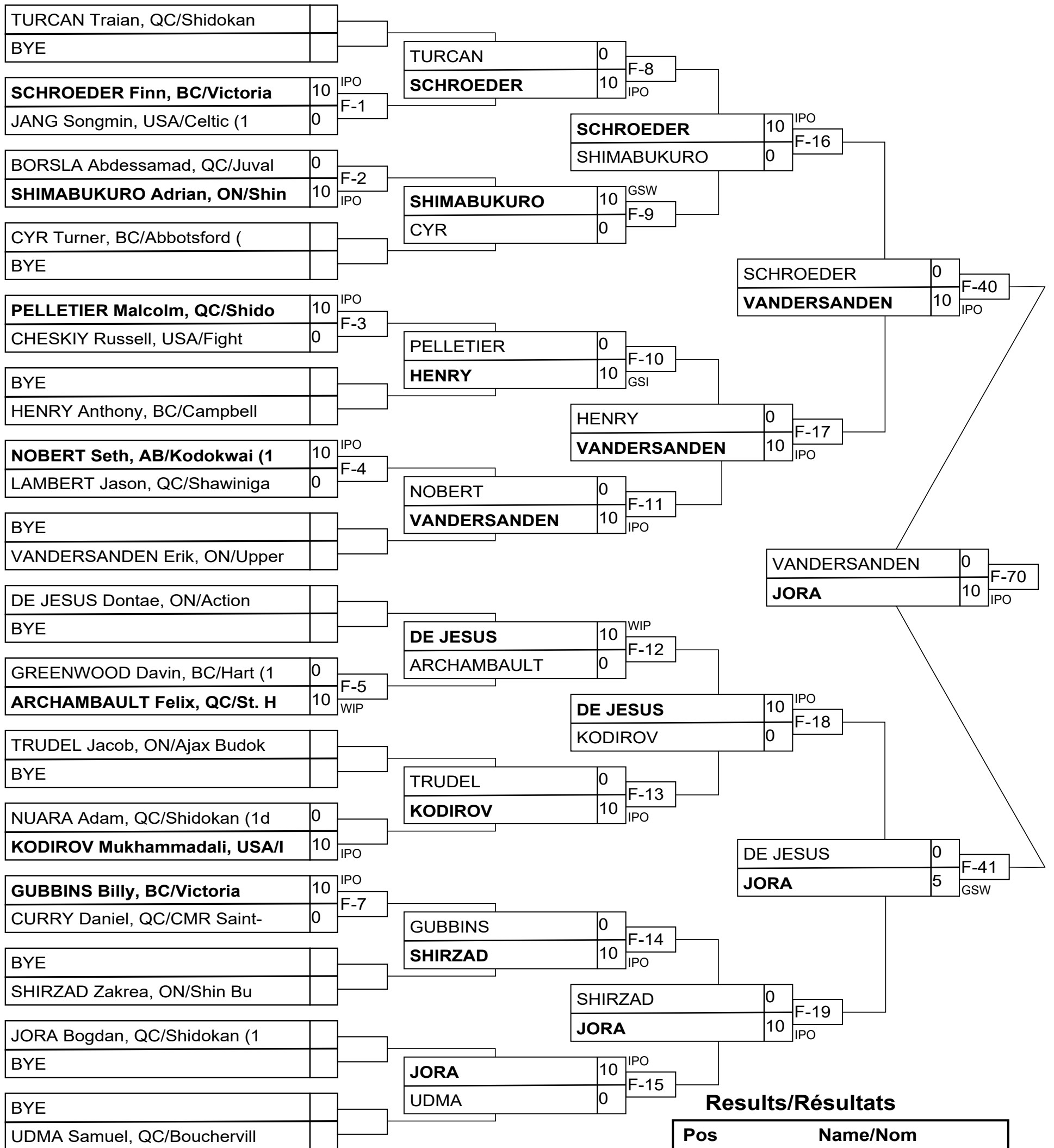
Results/Résultats

Pos	Name/Nom
1	DEMAERE Joel, AB/Lethbri
2	BLACKIERE Arno, QC/Jonqu
3	QUIEDEVILLE Pierre-Henry
3	PAQUET Simon, QC/Albatro

U21M -60



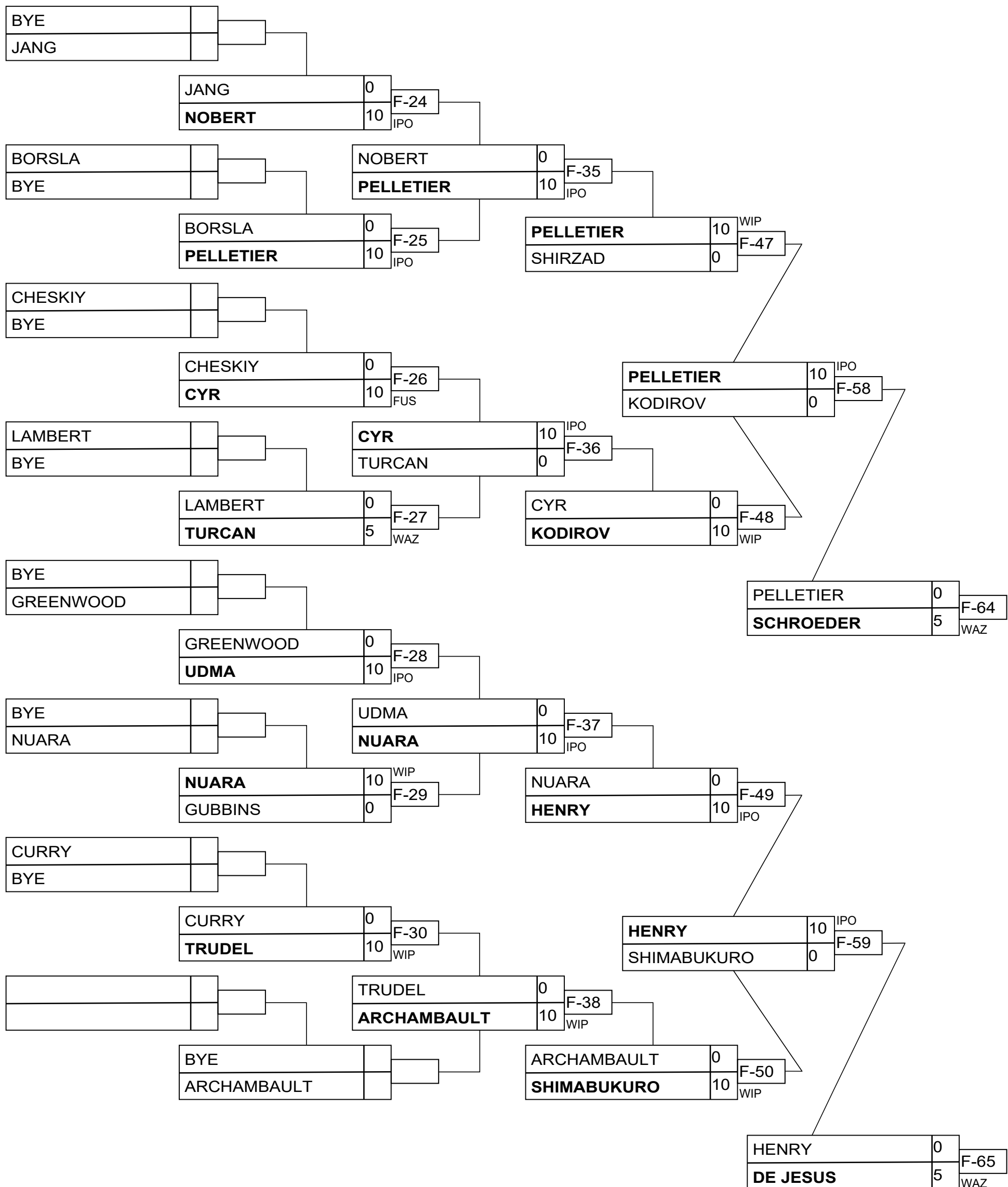
U21M -66



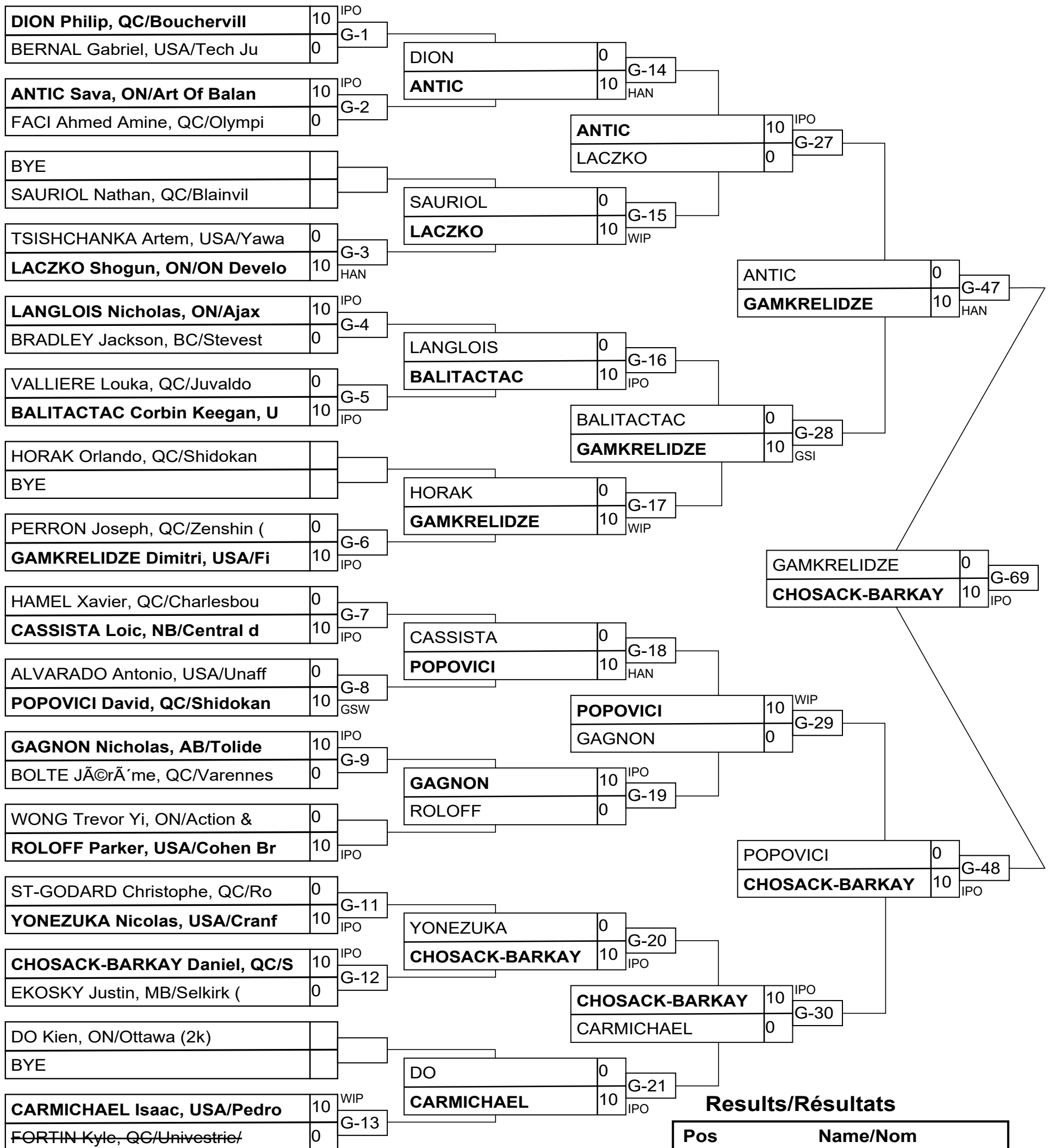
Results/Résultats

Pos	Name/Nom
1	JORA Bogdan, QC/Shidokan
2	VANDERSANDEN Erik, ON/Up
3	SCHROEDER Finn, BC/Victo
3	DE JESUS Dontae, ON/Acti

U21M -66



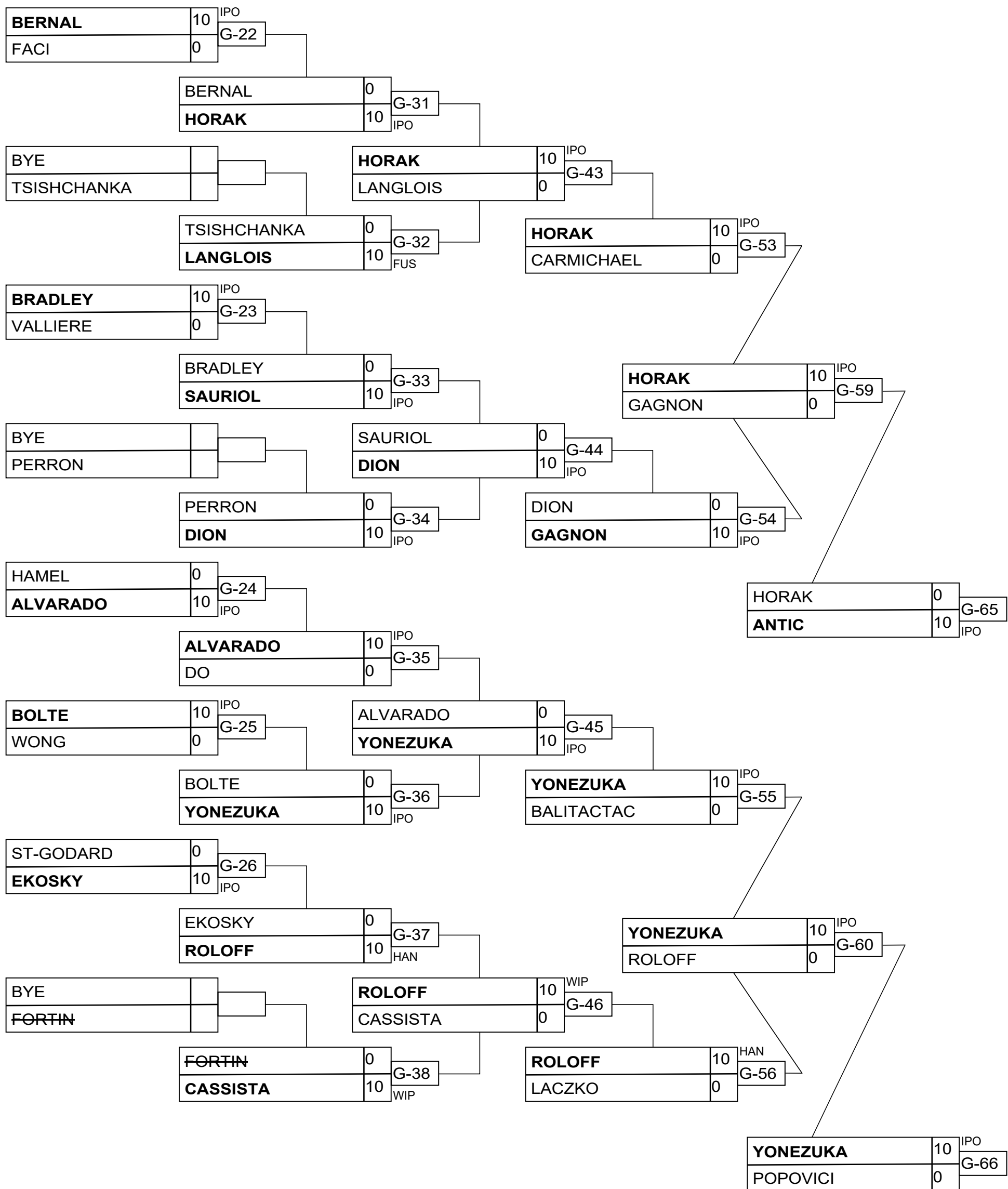
U21M -73



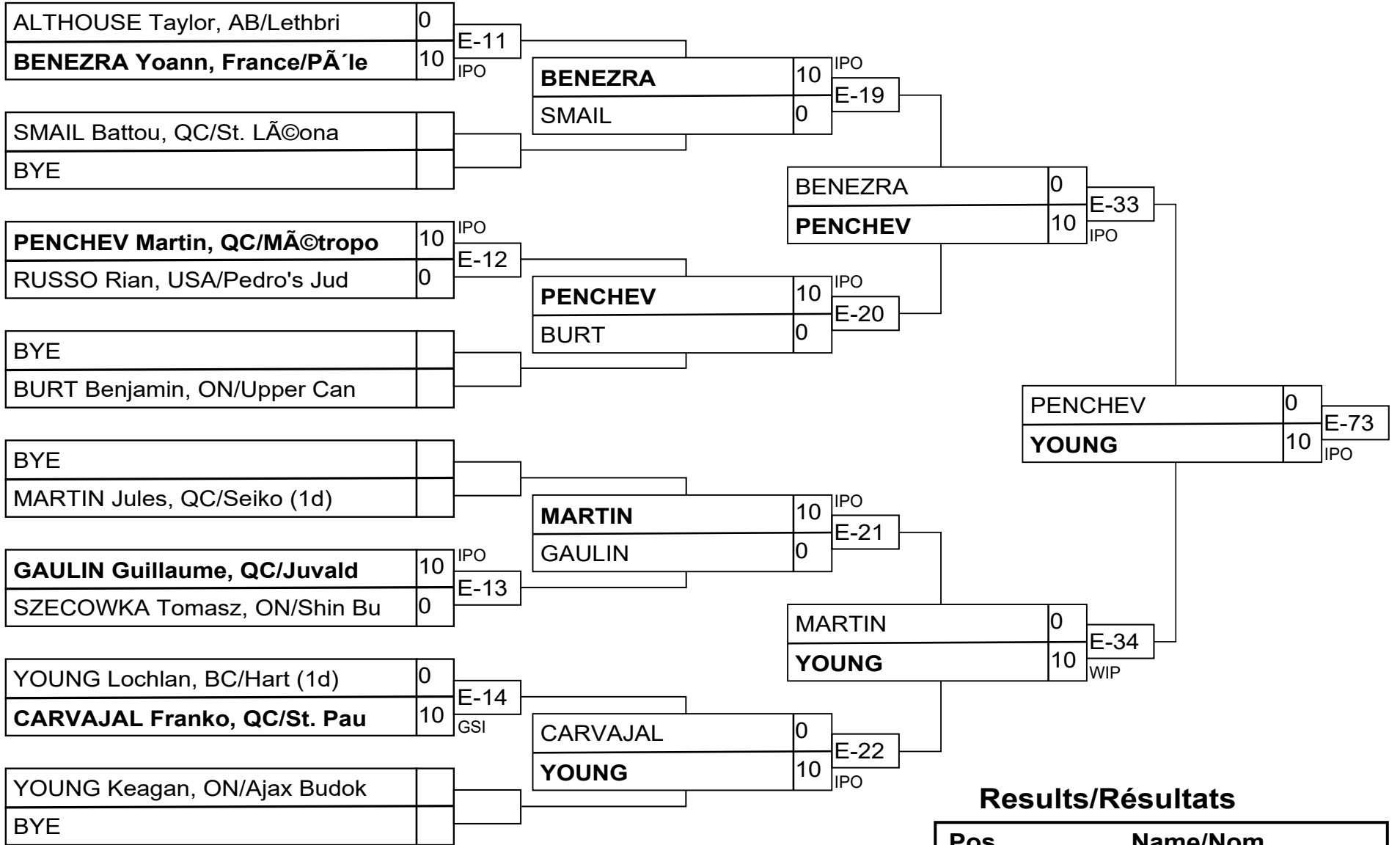
Results/Résultats

Pos	Name/Nom
1	CHOSACK-BARKAY Daniel, Q
2	GAMKRELIDZE Dimitri, USA
3	ANTIC Sava, ON/Art Of Ba
3	YONEZUKA Nicolas, USA/Cr

U21M -73



U21M -81



Results/Résultats

Pos	Name/Nom
1	YOUNG Keagan, ON/Ajax Bu
2	PENCHEV Martin, QC/MÃ©tr
3	GAULIN Guillaume, QC/Juv
3	MARTIN Jules, QC/Seiko (

ALHOUSE	
BYE	

ALHOUSE	5	WAZ
CARVAJAL	0	E-43

RUSSO	
BYE	

ALHOUSE	0	E-57
GAULIN	10	IPO
RUSSO	0	E-44
GAULIN	10	WIP
GAULIN	10	IPO
BENEZRA	0	E-67

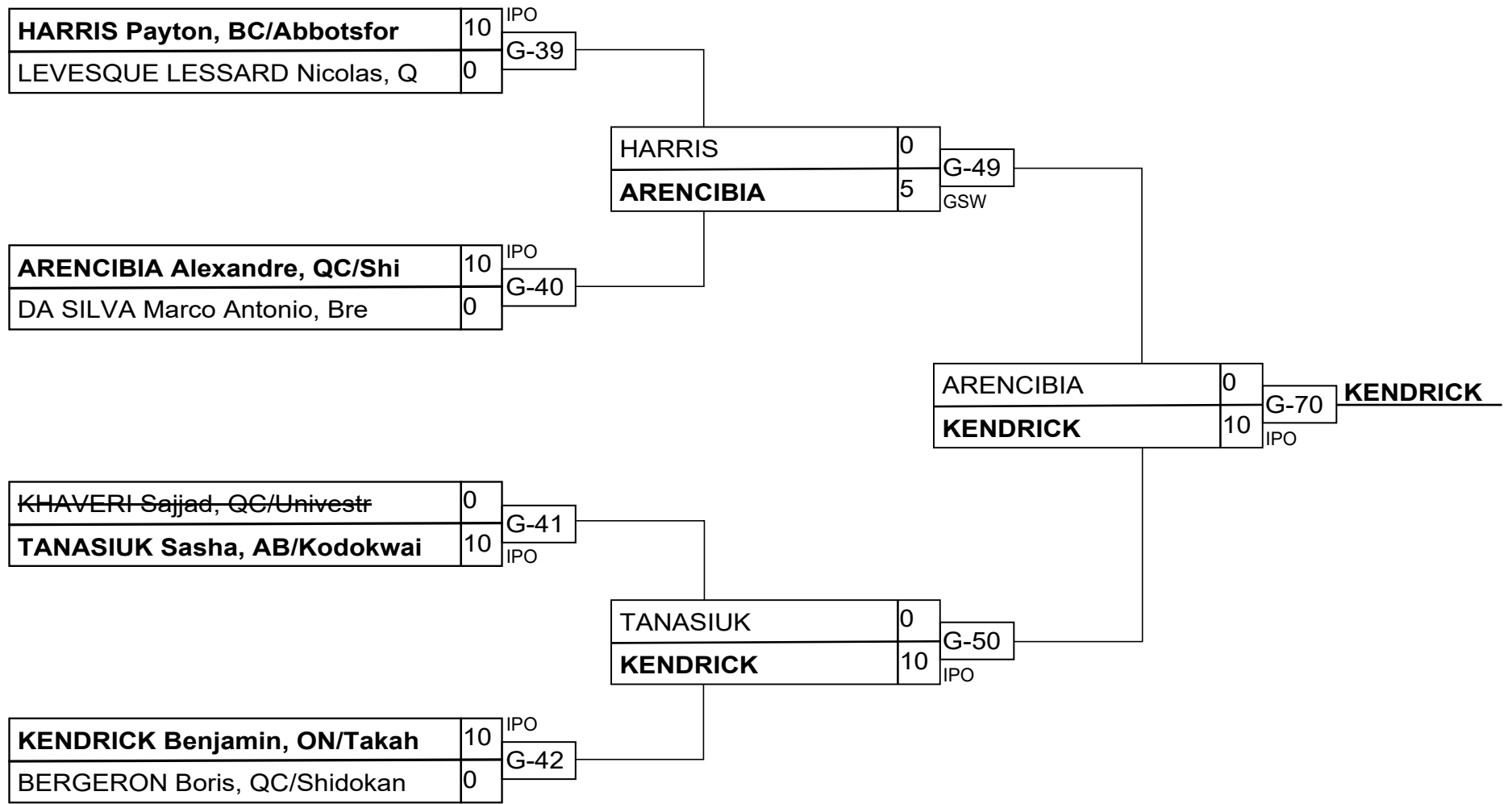
BYE	
SZECOWKA	

SZECOWKA	0	E-45
BURT	10	WIP

YOUNG	
BYE	

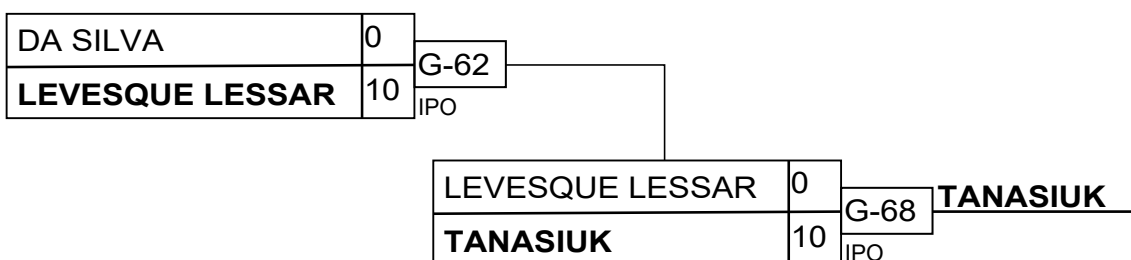
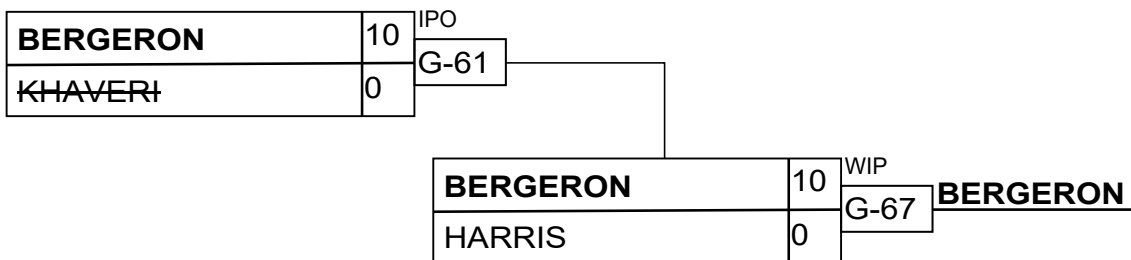
BURT	10	WIP
YOUNG	0	E-58
YOUNG	10	IPO
SMAIL	0	E-46
BURT	0	E-68
MARTIN	5	WAZ

U21M -90



Results/Résultats

Pos	Name/Nom
1	KENDRICK Benjamin, ON/Ta
2	ARENCIBIA Alexandre, QC/
3	BERGERON Boris, QC/Shido
3	TANASIUK Sasha, AB/Kodok



U21M +100

Competitors/Compétiteurs

#	Name/Nom	Grade	Club	1	2	3	W/G	Pts	Pos
1	ABA Ramy (137,50)	1k	QC/St. Paul-l'Ermite	XX			0	0	3
2	GRIGORIAN Thomas (141,60)	1d	USA/Fight factory	10	XX		1	10	2
3	ELLIOT Wilson (160,00)	1k	NT/Kam Lake	10	10	XX	2	20	1

Matches/Matches

Match	White/Blanc			Blue/Bleu	Res/Rés	Tim/Tmp	Code
F-39	ABA Ramy	1	2	GRIGORIAN Thomas	0 - 10	1:45	WIP
F-46	ABA Ramy	1	3	ELLIOT Wilson	0 - 10	1:35	IPO
F-57	GRIGORIAN Thomas	2	3	ELLIOT Wilson	0 - 10	1:08	WIP

Results/Résultats

Pos	Name/Nom
1	ELLIOT Wilson, NT/Kam Lake
2	GRIGORIAN Thomas, USA/Fight factory